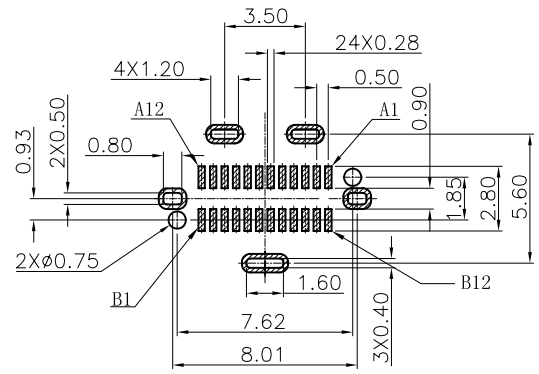
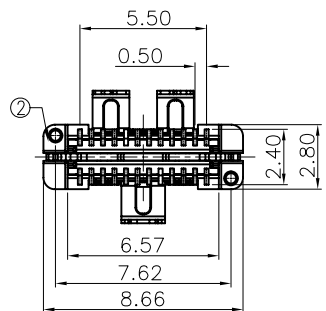
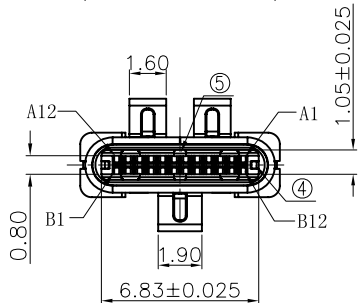
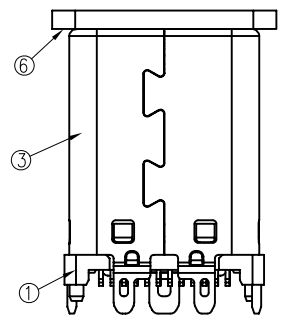
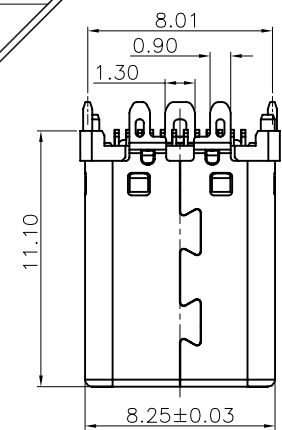
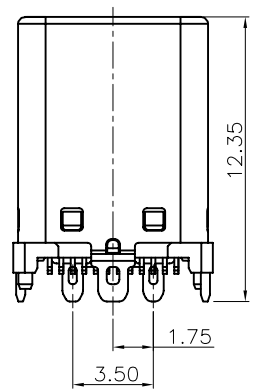


REV	ECN No.	DATE	REMARK
A0	NEW	2016.11.05	新版发行



RECOMMENDED PCB LAYOUT(±0.80±0.05)
COMPONENT SIDE(GENERAL TOLERANCE:±0.05)



NOTES:

SPECIFICATION:

- CURRENT RATING: 3.0A MAX
- VOLTAGE: 100 VAC
- TEMPERATURE RANGE: -30 °C ~ 85 °C
- CONTACT RESISTANCE: 40 MILLIONHM MAX
- INSULATION RESISTANCE: 100 MEGOHMS MIN.
- INSERTION FORCE : 5N~20N
- UNMATING FORCE: 8N~20N
- DURABILITY: 10,000 CYCLES

TABLE:

Z-CM026SLB01R-A-01	6	COVER	LCP UL94V-0	BLACK	1PCS	24H	Reel	
	5	SPRING	SUS304 T=0.10mm	---	2PCS			
	4	LATCH	SUS301 T=0.30mm	Tin 80u" Min Plated	1PCS			
	3	SHELL	SUS304 T=0.15mm	Ni 50u" Min Plated	1PCS			
	2	CONTACT	C7025 T=0.15	G/F PLATING ON CONTACT AREA: TIN 80u" Min TING ON SOLDER TAIL; Ni 50u" Min UNDERPLATING OVERALL	1SET			
	1	HOUSING	LCP UL94V-0	BLACK	2PCS			
PART NUMBER		NO.	DESCRIPTION	MATERIAL	REMARKS	QTY	盐雾	包装

MATERIAL NO.:

Z-CM026XXXXX-X-01

THIS DRAWING CONTAINS INFORMATION THAT IS PROPRIETARY TO ZDT TECHNOLOGY. AND SHOULD NOT BE USED WITHOUT WRITTEN PERMISSION

ZDT 深圳市中科兴达科技有限公司
SHENZHEN ZDT TECHNOLOGY CO.,LTD

DRAWN BY: SAM DATE: 2016.11.05

REVIEW TABLE FOR DETAILS

QUALITY SYMBOL	0	GENERAL TOLERANCES (UNLESS SPECIFIED)	± ---
	x.xxxx		± 0.10
	x.xxx		± 0.25
	x.xx		± 0.30
	x.x		± ---
ANGULAR			± ---

TITLE: TYPE C公头直立式三支脚, 脚距1.75

CHECKED BY: TOM DATE: 2016.11.05

DOCUMENT NO.: ZDT-CM026 SHEET NO.: 1 OF 1

APPROVED BY: PETER DATE: 2016.11.05

DIMENSION STYLE: MM ONLY DESIGN UNITS: METRIC SCALE: 5:1

THIRD ANGLE PROJECTION

A1	GND	B12	GND
A2	SSTXP1	B11	SSRXP1
A3	SSTXN1	B10	SSRXN1
A4	VBUS	B9	VBUS
A5	CC1	B8	SBU2
A6	DP1	B7	DN2
A7	DN1	B6	DP2
A8	SBU1	B5	CC2
A9	VBUS	B4	VBUS
A10	SSRXN2	B3	SSTXN2
A11	SSRXP2	B2	SSTXP2
A12	GND	B1	GND
PIN	SIGNAL NAME	PIN	SIGNAL NAME

frame size: A4