

10

9

8

7

6

5

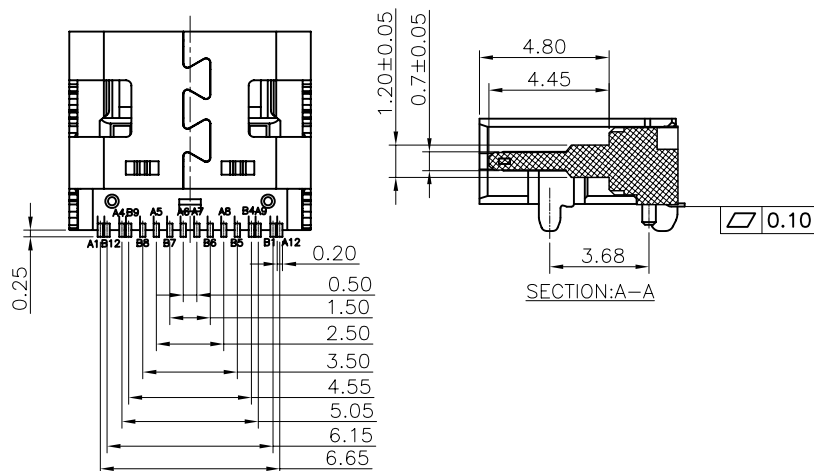
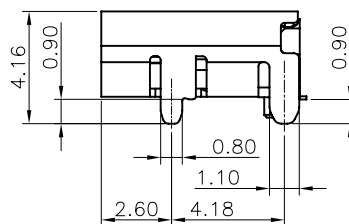
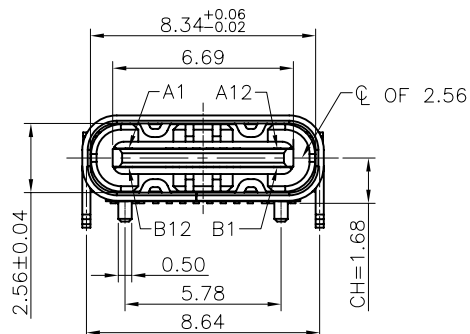
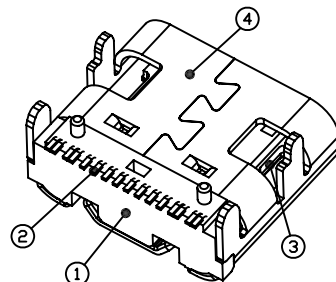
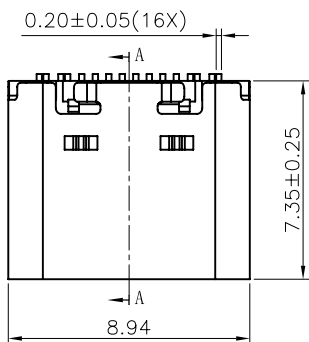
4

3

2

1

REV	ECN No.	DATE	REMARK
A	NEW	2017.09.25	NEW RELEASE



NOTE: (备注)

1.MATERIAL SPECIFICATION: (材料规格)

1.1.HOUSING:HIGH TEMPERATURE RESISTANT PLASTIC,UL94 V-0.  
(塑胶: 耐高温塑料 UL94 V-0.)

2.CONTACTS:COPPER ALLOY (接触: 铜合金)

3.MID PLATE: STAINLESS STEEL (中夹片: 不锈钢)

4.FRONT SHELL: STAINLESS STEEL (前壳: 不锈钢)

2.PLATING SPECIFICATION: (电镀规格)

2-1.CONTACTS: (接触)

Ni 50u" MIN. UNDER PLATED OVER ALL. ( 镍底50u" 最小)

Au PLATED ON THE FUNCTIONAL AREA OF CONTACT.(接触功能区镀金)

(GOLD PLATING THICKNESS FOLLOW THE P/N) (镀金厚度随料号)

PLATING SPECIFICATIONS OF THE SOLDER AREA FOLLOW THE P/N

(焊点的电镀规格与料号有关)

2-2.FRONT SHELL: (前壳)

Ni 30u" MIN. UNDER PLATED OVER ALL. ( 镍底30u" 最小)

2-3.SHIELD PLATE&amp;EMI PLATE: ( 防护电镀 &amp; EMI电镀)

CLEAR ONLY (只清洁)

3.MECHANICAL PERFORMANCE, ( 机械性能)

3-1.INSERTION FORCE: 0.5~2.0kgf. ( 插入力:0.5~2.0kgf)

3-2.REMOVAL FORCE: 0.8kgf~2.0kgf. ( 拔出力: 0.8kgf~2.0kgf)

3-3.DURABILITY: 10000 CYCLES. (耐久10000次)

4.ELECTRICAL PERFORMANCE, ( 电气性能)

4-1. CURRENT RATING:5.0A (额定电流: 5.0A)

VOLTAGE RATING:5.0V ( 额定电压: 5.0V)

4-2. LLCR: ( 接触电阻)

VBUS &amp; GND PINS AND OTHER PINS: 40mΩ/PIN MAX.

( 电源PIN &amp; 接地PIN和其它PIN 40mΩ /PIN 最大)

SHIELD: 50mΩ/MAX. ( 防护50mΩ /PIN 最大)

LLCR MAX. CHANGE OF ALL PINS: 10mΩ.

(接触电阻最大变化在10mΩ /PIN内)

4-3.INSULATION RESISTANCE: 100MΩ MIN

(绝缘阻抗: 100MΩ 最小)

4-4.DIELECTRIC WITHSTAND VOLTAGE,AC 100V FOR 1 MINUTE.

(耐电压: AC 100V 1分钟)

5. ENVIRONMENTAL PERFORMANCE: (环境性能)

OPERATING TEMPERATURE: -25°C~+85°C. (工作温度-25° C~+85° C)

6.IR REFLOW: (IR 回流焊)

THE PEAK TEMPERATURE ON THE BOARD SHALL (板上的最高温度)

BE MAINTAINED FOR 10 SECONDS AT 260°C. (在260摄氏度的时候保持10秒)

TABLE 1

1	Z-CF044SLB12R-A-01	LCP_BLACK	Au:3u"	Au:1u"	Ni:50u"	0414-043-0468B
ITEM	P/N (料号)	HOUSING (塑胶)	FUNCTIONAL AREA OF CONTACT (功能接触区)	SOLDER AREA OF CONTACT (焊接区)	SHELL PLATING (外壳电镀)	客户料号

MATERIAL NO.:

THIS DRAWING CONTAINS INFORMATION THAT IS PROPRIETARY TO ZDT TECHNOLOGY. AND SHOULD NOT BE USED WITHOUT WRITTEN PERMISSION

SEE THE TABLE

 深圳市中科兴达科技有限公司  
SHENZHEN ZDT TECHNOLOGY CO., LTD
DRAWN BY  
SAM  
DATE  
2017.09.25

REVIEW TABLE FOR DETAILS

TITLE  
USB CF 16PIN (L=7.35)WITH POST一体成型CHECKED BY  
JAY  
DATE  
2017.09.25

QUALITY SYMBOL	0	△	0
	GENERAL TOLERANCES (UNLESS SPECIFIED)		
	x.xxxx	±	---
	x.xxx	±	0.10
	x.xx	±	0.25
x.x	±	0.30	
ANGULAR	±	---	

DOCUMENT NO.  
ZDT-CF044SHEET NO.  
1 OF 2DIMENSION STYLE  
MM ONLYDESIGN UNITS  
METRICSCALE  
5:1

THIRD ANGLE PROJECTION

10

9

8

7

6

5

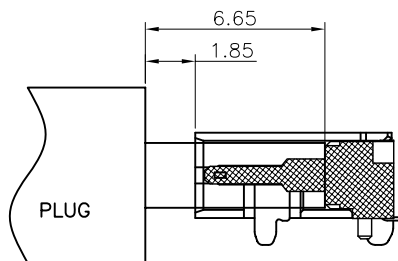
4

3

2

frame size: A4

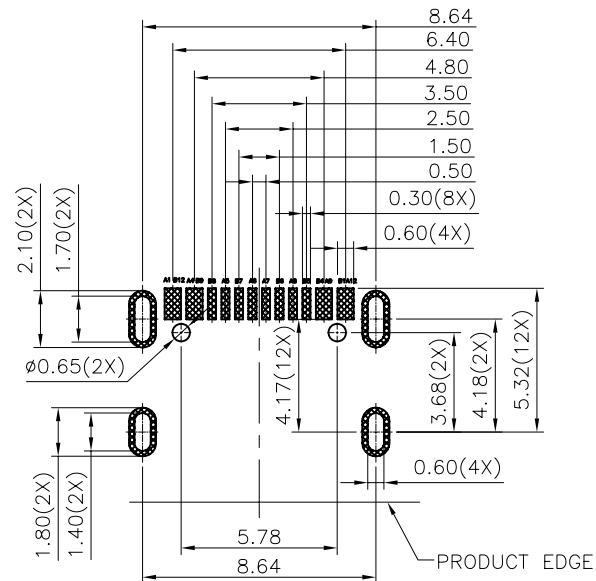
REV	ECN No.	DATE	REMARK
A0	NEW	2017.09.25	NEW RELEASE



AFTER MATING

USB TYPE-C PIN ASSIGNMENTS

PIN NUMBER	SIGNAL NAME	PIN NUMBER	SIGNAL NAME
A1	GND	B12	GND
A4	VBUS	B9	VBUS
A5	CC1	B8	SBU2
A6	Dp1	B7	Dn2
A7	Dn1	B6	Dp2
A8	SBU1	B5	CC2
A9	VBUS	B4	VBUS
A12	GND	B1	GND



RECOMMENDED PCB LAYOUT(TOP VIEW)  
THICKNESS 0.80MM;DEFAULT TOLERANCE:±0.05

MATERIAL NO.:		THIS DRAWING CONTAINS INFORMATION THAT IS PROPRIETARY TO ZDT TECHNOLOGY, AND SHOULD NOT BE USED WITHOUT WRITTEN PERMISSION	
SEE THE TABLE REVIEW TABLE FOR DETAILS		DRAWN BY SAM	
GENERAL TOLERANCES (UNLESS SPECIFIED)		DATE 2017.09.25	
x.xxxx ± ---		CHECKED BY JAY	
x.xxx ± 0.10		DATE 2015.05.10	
x.xx ± 0.25		APPROVED BY JACKY	
x.x ± 0.30		DATE 2017.09.25	
ANGULAR ± ---		DOCUMENT NO. ZDT-CF044	
QUALITY SYMBOL		SHEET NO. 2 OF 2	
= 0		DIMENSION STYLE MM ONLY	
= 0		DESIGN UNITS METRIC	
= 0		SCALE 5:1	
= 0		THIRD ANGLE PROJECTION	