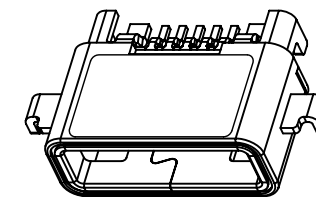
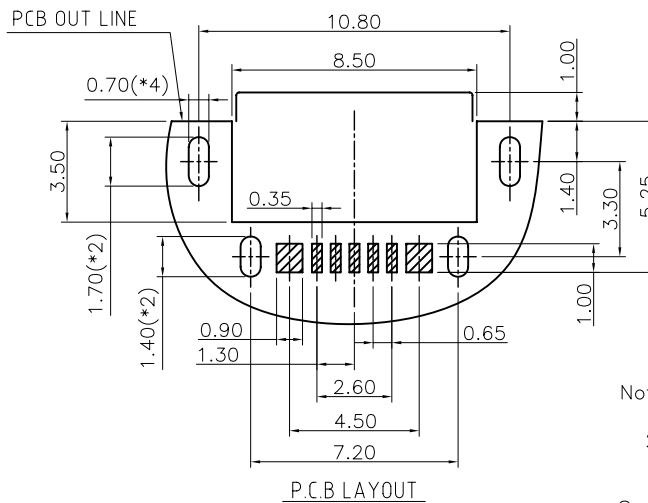
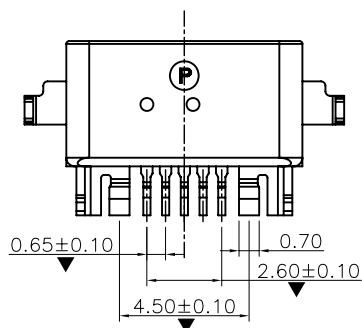
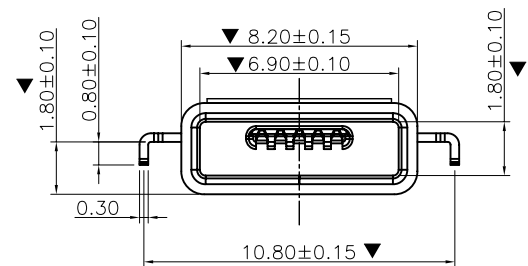
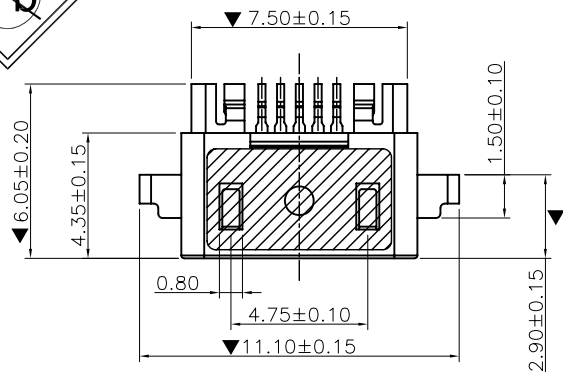


REV	ECN No.	DATE	REMARK
A0	NEW	2015.05.10	NEW RELEASE



Notes:

1. Dimension shall be interpreted per ASME Y14.5M1994.
2. Dimension marked ▽ & ▼ should be checked by Q.C. and process, engineers and ▽ should also check the CPK data.

Specification:

1. Current Rating: 1.0 AMP
2. Voltage Rating: 30V AC,DC
3. Dielectric Strength: 500V AC RMS for 1 minute.
4. Contact Resistance: 30 mΩ Max.
5. Insulator Resistance: 500M Ω Min. AT 250V DC.
6. Mating/Unmating cycles: 2000cycles
7. Temperature: -20°C to +60°C

TABLE:

Z-MF054BLB11R-A-64	3	Shell	1	C2680R-H Au/Ni Plating T=0.30mm	
	2	Contact	5	Phosphor bronze C5191R Au/Ni Plating T=0.20mm	
	1	Housing	1	LCP (G.F30%) Black	
PART NO.	ITEM	PART NAME	Q'TY	FINISH	NOTE

MATERIAL NO.:

SEE THE TABLE
REVIEW TABLE FOR DETAILS

QUALITY SYMBOL	0	GENERAL TOLERANCES (UNLESS SPECIFIED)
	x.xxxxx	± ---
	x.xxx	± 0.10
	x.xx	± 0.25
	x.x	± 0.30
ANGULAR	± ---	

THIS DRAWING CONTAINS INFORMATION THAT IS PROPRIETARY TO ZDT TECHNOLOGY. AND SHOULD NOT BE USED WITHOUT WRITTEN PERMISSION

ZDT 深圳市中科兴达科技有限公司
SHENZHEN ZDT TECHNOLOGY CO.,LTD

DRAWN BY SAM DATE 2015.05.10

CHECKED BY JAY DATE 2015.05.10

APPROVED BY JACKY DATE 2015.05.10

TITLE Micro USB 5Pin SMT AB Type(沉板平口防水型)T1

DOCUMENT NO. ZDT-MF054 SHEET NO. 1 OF 1

DIMENSION STYLE MM ONLY DESIGN UNITS METRIC SCALE 5:1

THIRD ANGLE PROJECTION