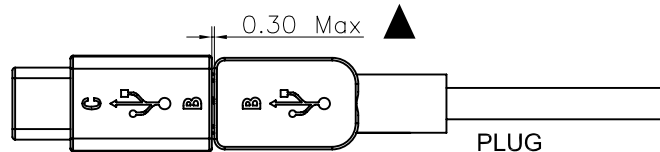


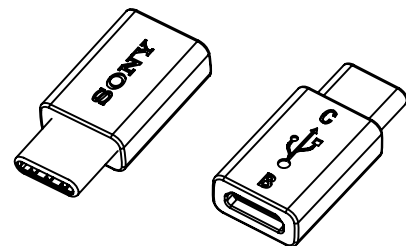
REV	ECN No.	DATE	REMARK
A0	NEW	2018.03.01	新版发行



PLUG配对示意图



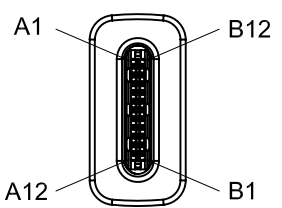
SCALE : 1:2



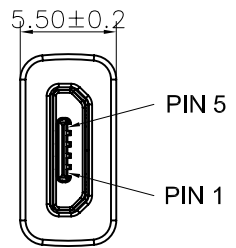
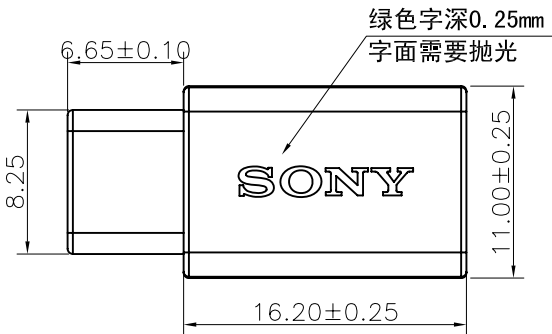
3D VIEW

NOTE:

- 2.ELECTRICAL CHARACTERISTICS;
 - 2.1 CONTACT RESISTANCE:80mΩ Max
 - 2.2 CONTACT CURRENT RATING:3.0 A
 - 2.3 DIELECTRIC WITHSTANDING VOLTAGE:100 V R.M.S.
 - 2.4 INSULATION RESISTANCE 100 MEGOHMS Min
 - 2.5 OPERATING TEMPERATURE:-30°C ~ 85°C
- 3 MECHANICAL CHARACTERISTICS:
 - 3.1 MATING FORCE:
 - USB CM 5~20N Max.
 - MICRO USB 35N Max.
 - 3.2 UNMATED FORCE:
 - USB CM 8~20N Min.
 - MICRO USB 0.8N Min.
 - 3.3 DURABILITY: 10,000 CYCLES
 - 3.4 符合SONY SS00259标准.



P1
TYPE C M



P2
Micro usb BF

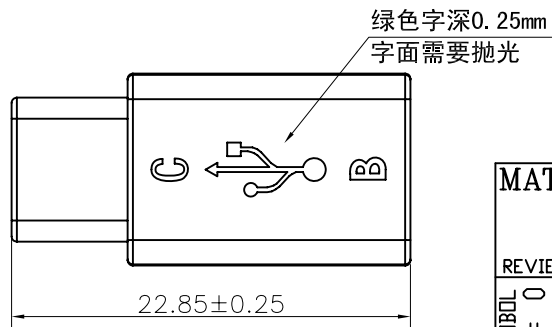
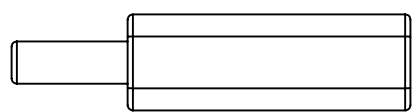
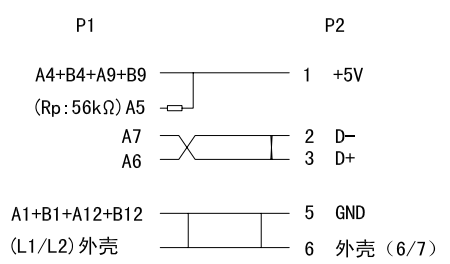


TABLE:

NO.	PART	DESCRIPTION	MATERIAL	REMARKS	QTY	客户料号
5	内模	内模	PP 火等级94-V0	本色	1PCS	0414-058-001BCW
4	PVC外模	PVC外模	PVC 防火等级94-V0	白色	1PCS	
3	PCB	PCB	FR-4 UL94V-0 56K电阻	---	1PCS	
2	Micro usb	SHELL	SUS304 T=0.25mm	Ni 50u" Min Plated	1PCS	
		CONTACT	C2680 T=0.15	G/F PLATING ON CONTACT AREA: TIN 80u" Min THIN ON SOLDER TAIL: 50u" Min UNDERPLATING OVERALL	1SET	
1	Type c	HOUSING	LCP UL94V-0	BLACK	1PCS	
		SHELL	SUS304 T=0.15mm	Ni 50u" Min Plated	1PCS	
		SPRING	SUS304 T=0.10mm	---	1PCS	
		LATCH	SUS301 T=0.30mm	Tin 80u" Min Plated	1PCS	
		CONTACT	C7025 T=0.12	G/F PLATING ON CONTACT AREA: TIN 80u" Min THIN ON SOLDER TAIL: 50u" Min UNDERPLATING OVERALL	1SET	
		HOUSING	LCP UL94V-0	BLACK	1PCS	
SEMI-PRODUCT						

接线图



MATERIAL NO.:

SEE THE TABLE

REVIEW TABLE FOR DETAILS

QUALITY SYMBOL	GENERAL TOLERANCES (UNLESS SPECIFIED)
0	± ---
△	± ---
0	± 0.20
△	± 0.30
0	± ---
△	ANGULAR

THIS DRAWING CONTAINS INFORMATION THAT IS PROPRIETARY TO ZDT TECHNOLOGY, AND SHOULD NOT BE USED WITHOUT WRITTEN PERMISSION

ZDT 深圳市中科兴达科技有限公司
SHENZHEN ZDT TECHNOLOGY CO., LTD

DRAWN BY: Allen DATE: 2018.03.01

CHECKED BY: Jay DATE: 2018.03.01

APPROVED BY: Jacky DATE: 2018.03.01

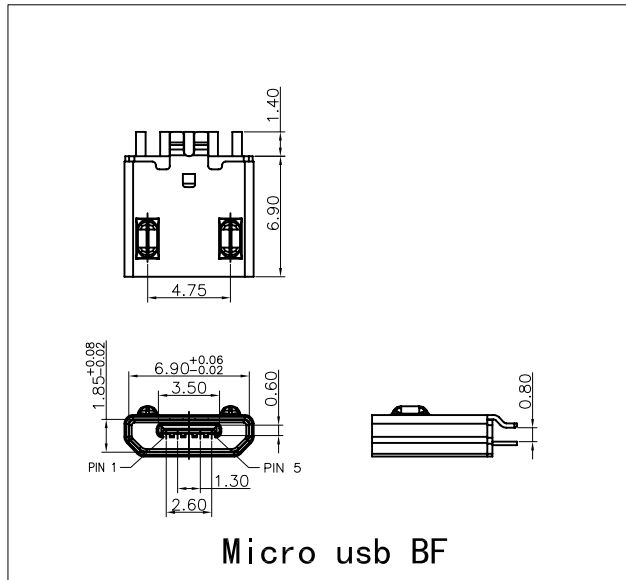
TITLE: MICRO B F TO TYPE C GENDER 电阻56KΩ

DOCUMENT NO.: Z-AD-008-26 SHEET NO.: 1 OF 2

DIMENSION STYLE: MM ONLY DESIGN UNITS: METRIC SCALE: 5:1

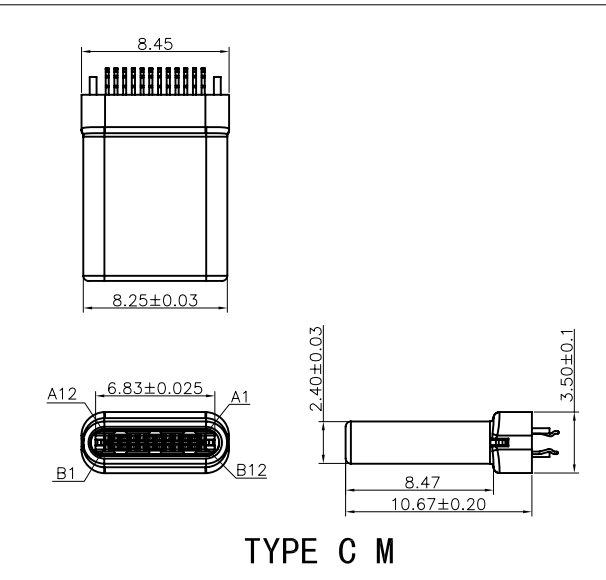
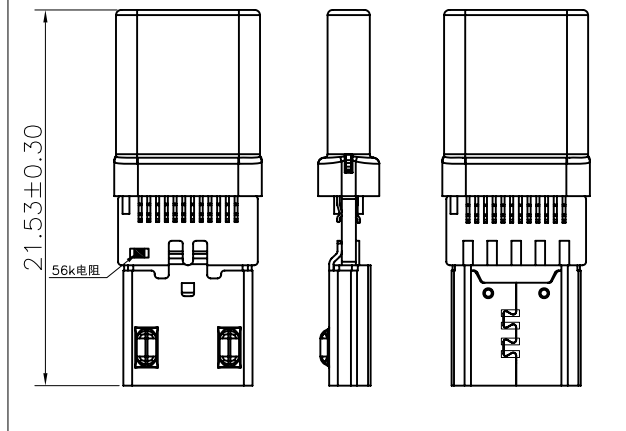
THIRD ANGLE PROJECTION

REV	ECN No.	DATE	REMARK
A0	NEW	2018.03.01	新版发行

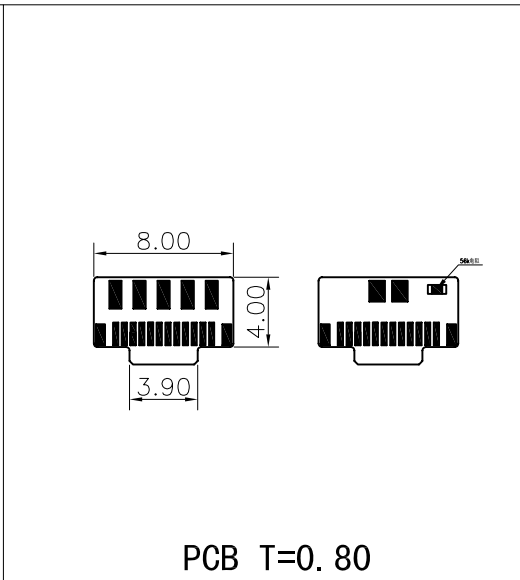


Micro usb BF

转接头半成品



TYPE C M



PCB T=0.80

MATERIAL NO.:

SEE THE TABLE
REVIEW TABLE FOR DETAILS

QUALITY SYMBOL	GENERAL TOLERANCES (UNLESS SPECIFIED)
0	x.xxxxx ± ---
0	x.xxx ± ---
0	x.xx ± 0.20
0	x.x ± 0.30
0	ANGULAR ± ---°

THIS DRAWING CONTAINS INFORMATION THAT IS PROPRIETARY TO ZDT TECHNOLOGY, AND SHOULD NOT BE USED WITHOUT WRITTEN PERMISSION

ZDT 深圳市中科兴达科技有限公司
SHENZHEN ZDT TECHNOLOGY CO., LTD

DRAWN BY Allen	DATE 2018.03.01
CHECKED BY Jay	DATE 2018.03.01
APPROVED BY Jacky	DATE 2018.03.01

TITLE
MICRO B F TO TYPE C GENDER电阻56KΩ

DOCUMENT NO. Z-AD-008-26

SHEET NO. 2 OF 2

DIMENSION STYLE: MM ONLY

DESIGN UNITS: METRIC

SCALE: 5:1

THIRD ANGLE PROJECTION