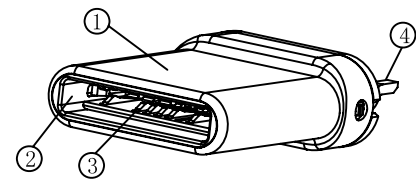
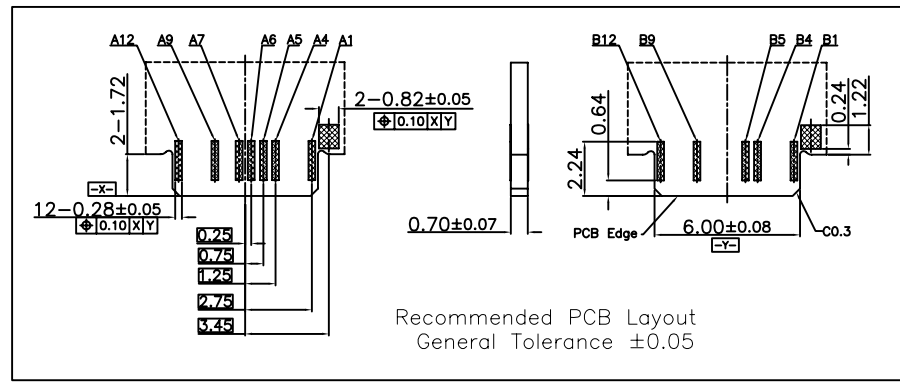
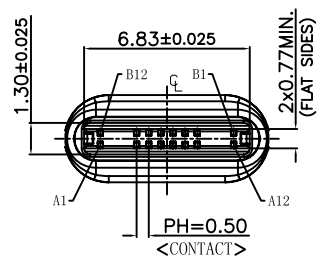
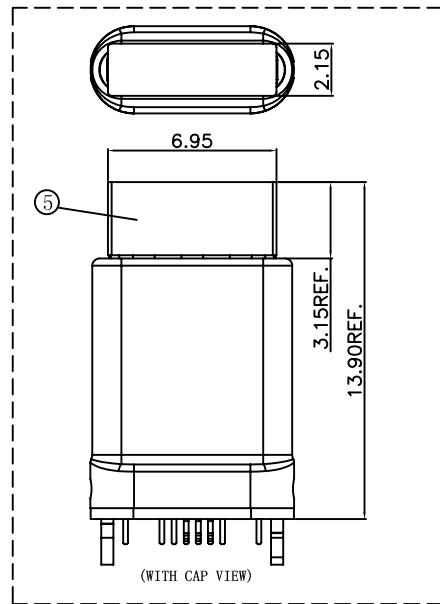
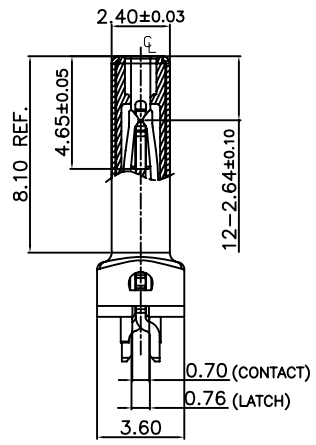
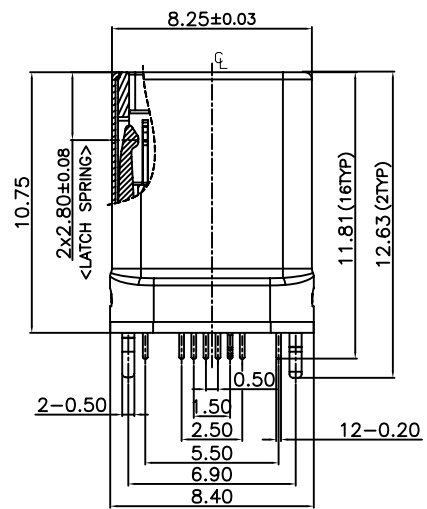


REV	ECN No.	DATE	REMARK
A0	NEW	2018.07.09	NEW



- NOTE:
- Electrical Characteristics:  
 Current Rating: 5A For Pin(A4,A9,B4,B9)  
 1.25A For Others Pin  
 Insulation Resistance: 100MΩ Min.  
 Contact Resistance: 40 mΩ Max.  
 Dielectric Withstanding Voltage:100V/AC 1Minute
  - Mechanical Characteristics:  
 Insertion Force: 5~20N  
 Extraction Force: Initial: 8~20N  
 After durability: 6~20N  
 Durability :10000 Cycles
  - Salt Spray :24H
  - Operating Temperature: -30°C TO +85°C



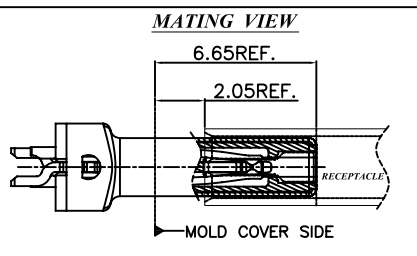
Ordering Information

CM074 - 12 C 2 XX T - 68

PIN NO.  
16=16PIN

- 01= 半金锡 镀金1u"
- 04= 半金锡 镀金15u"
- 05= 半金锡 镀金30u"
- 2=White HF(无卤)

PIN ASSIGNMENT			
PIN NUMBER	SIGNAL NAME	PIN NUMBER	SIGNAL NAME
A1	GND	B12	GND
A2		B11	
A3		B10	
A4	VBUS	B9	VBUS
A5	CC	B8	
A6	D+	B7	
A7	D-	B6	
A8		B5	VCONN
A9	VBUS	B4	VBUS
A10		B3	
A11		B2	
A12	GND	B1	GND



**MATERIAL NO.:**

SEE THE TABLE

REVIEW TABLE FOR DETAILS

QUALITY SYMBOL	GENERAL TOLERANCES (UNLESS SPECIFIED)
0	± ---
0	± 0.10
0	± 0.20
0	± 0.30
0	ANGULAR ± ---

THIS DRAWING CONTAINS INFORMATION THAT IS PROPRIETARY TO ZDT TECHNOLOGY, AND SHOULD NOT BE USED WITHOUT WRITTEN PERMISSION

**ZDT** 深圳市中科兴达科技有限公司 SHENZHEN ZDT TECHNOLOGY CO.,LTD

**TITLE** USB TYPE-C PLUG 12PIN CLIP PCB

**DOCUMENT NO.** CM074-12-68

**SHEET NO.** 1 OF 1

**DIMENSION STYLE** MM ONLY

**DESIGN UNITS** METRIC

**SCALE** 5:1

**THIRD ANGLE PROJECTION**

<b>DRAWN BY</b> SAM	<b>DATE</b> 2018.07.09
<b>CHECKED BY</b> Jay	<b>DATE</b> 2018.07.09
<b>APPROVED BY</b> JACKY	<b>DATE</b> 2018.07.09

ITEM	NAME	QTY.	MATERIAL	DESCRIPTION
⑤	Cap	1	LCP	Color: White
④	Latch	1	SUS301	Sn Plated on Solder Area, Ni Underplating Over All
③	Contact	12	Copper Alloy	Au Plated on Solder Area, Ni Underplating Over All
②	Housing	1	LCP	Color: White
①	Shell	1	SUS316L	Ni Plated 50~180u"