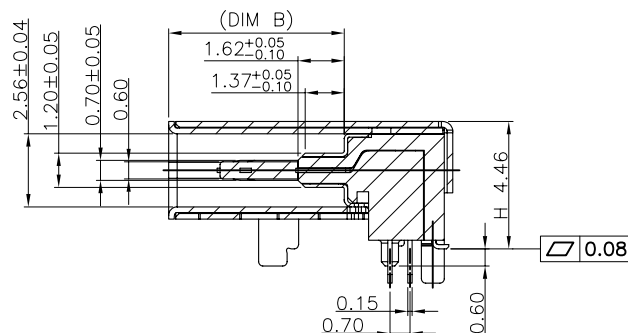
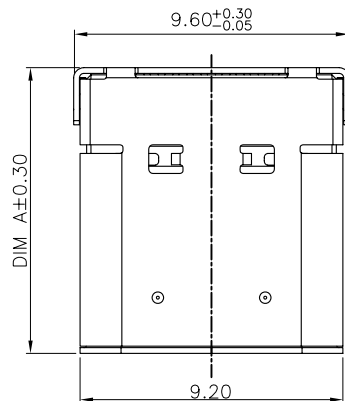
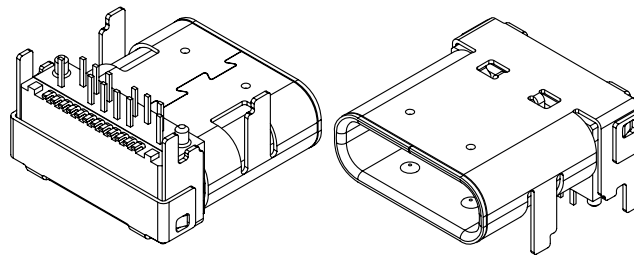
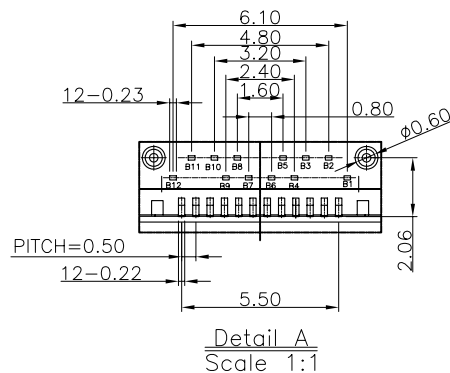
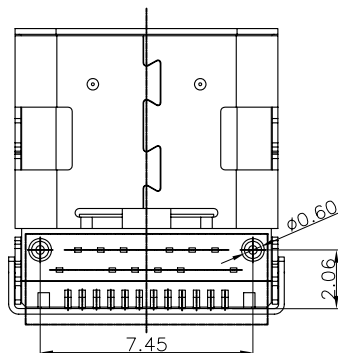
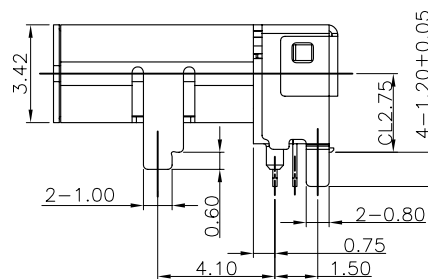
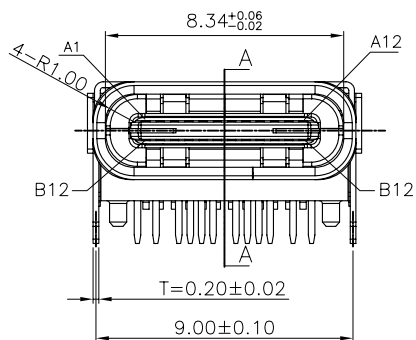


REV	ECN No.	DATE	REMARK
A0	NEW	2017.05.10	NEW RELEASE



Section A-A
Scale 1:1



Detail A
Scale 1:1

- MATERIAL:
 - MOLDING: LCP UL94 V-0
 - CONTACT: COPPER ALLOY.
 - PLATED GOLD ON CONTACT AREA, G/F GOLD ON SOLDER AREA, 50u" NICKEL PLATING OVER ALL.
 - SHELL: SUS304-H,T=0.30±0.03mm
 - 50u" NICKEL PLATING OVER ALL.
 - EMI SHILD: SUS304-H,T=0.12±0.03mm
 - LATCH: SUS301-H,T=0.15±0.03mm
- MECHANICAL:
 - INSERTION: 5~20N.
 - EXTRACTION: 8~20N.
 - DURABILITY: 10000 CYCLES
- ELECTRICAL:
 - CURRENT: 5A MIN FOR VBUS; 0.25A MIN FOR OTHER.
 - VOLTAGE: 5VAC MAX
 - WITHSTANDING VOLTAGE: 100V AC.
 - CONTACT RESISTANCE: 40mΩ MAX.
 - INSULATION RESISTANCE: 100MΩ MIN.
- ENVIRONMENTAL
 - TEMPERATURE RANGE: -30°C TO +80°C

Z - CF077 S L X X XX R - A - 75
① ②

- ① HOUSING: B:BLACK
- ② CONTACTS PLATED: 11:半金锡1u"

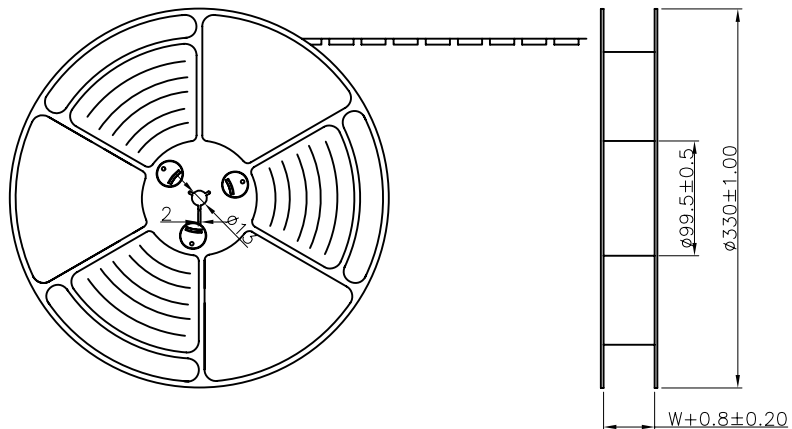
NO	DIM A	DIM B
1	10.0	6.2
2	8.65	4.85
3	--	--

MATERIAL NO.:		THIS DRAWING CONTAINS INFORMATION THAT IS PROPRIETARY TO ZDT TECHNOLOGY. AND SHOULD NOT BE USED WITHOUT WRITTEN PERMISSION																									
SEE THE TABLE REVIEW TABLE FOR DETAILS		深圳市中兴兴达科技有限公司 SHENZHEN ZDT TECHNOLOGY CO., LTD																									
<table border="1"> <thead> <tr> <th>QUALITY SYMBOL</th> <th>GENERAL TOLERANCES (UNLESS SPECIFIED)</th> </tr> </thead> <tbody> <tr> <td>0</td> <td>± ---</td> </tr> <tr> <td>▽=0</td> <td>± 0.10</td> </tr> <tr> <td>▽=0</td> <td>± 0.25</td> </tr> <tr> <td>▽=0</td> <td>± 0.30</td> </tr> <tr> <td>▲</td> <td>± ---</td> </tr> </tbody> </table>		QUALITY SYMBOL	GENERAL TOLERANCES (UNLESS SPECIFIED)	0	± ---	▽=0	± 0.10	▽=0	± 0.25	▽=0	± 0.30	▲	± ---	<table border="1"> <tr> <td>TITLE</td> <td>USB TYPE 母座板上双外壳DIP+SMT垫高型H=4.46mm</td> </tr> <tr> <td>DOCUMENT NO.</td> <td>Z-CF077-75</td> </tr> <tr> <td>SHEET NO.</td> <td>1 OF 4</td> </tr> <tr> <td>DIMENSION STYLE</td> <td>MM ONLY</td> </tr> <tr> <td>DESIGN UNITS</td> <td>METRIC</td> </tr> <tr> <td>SCALE</td> <td>5:1</td> </tr> </table>		TITLE	USB TYPE 母座板上双外壳DIP+SMT垫高型H=4.46mm	DOCUMENT NO.	Z-CF077-75	SHEET NO.	1 OF 4	DIMENSION STYLE	MM ONLY	DESIGN UNITS	METRIC	SCALE	5:1
QUALITY SYMBOL	GENERAL TOLERANCES (UNLESS SPECIFIED)																										
0	± ---																										
▽=0	± 0.10																										
▽=0	± 0.25																										
▽=0	± 0.30																										
▲	± ---																										
TITLE	USB TYPE 母座板上双外壳DIP+SMT垫高型H=4.46mm																										
DOCUMENT NO.	Z-CF077-75																										
SHEET NO.	1 OF 4																										
DIMENSION STYLE	MM ONLY																										
DESIGN UNITS	METRIC																										
SCALE	5:1																										
DRAWN BY SAM		DATE 2017.05.10																									
CHECKED BY JAY		DATE 2017.05.10																									
APPROVED BY JACKY		DATE 2017.05.10																									
		THIRD ANGLE PROJECTION																									

REV	ECN No.	DATE	REMARK
A0	NEW	2017.05.10	NEW RELEASE

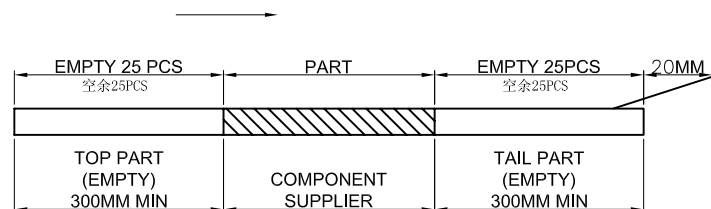


出料方向
PULL OUT DIRECTEON

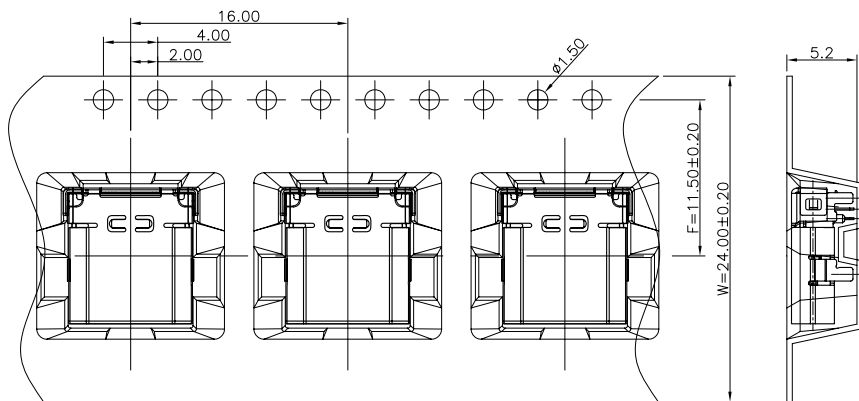


NOTES

- 帶子引導長度
LEAD TAPE LENGTH
出料方向
PULL OUT DIRECTEON



- 出貨運輸過程中一定注意：
THIS REQUIREMENT SHOULD BE APPLIED AT SHIPMENT：
卷帶在運輸過程中不能散開
PEELING OFF SHOULD NOT BE ALLOWED DURING TRANSPORTATION



MATERIAL NO.:

THIS DRAWING CONTAINS INFORMATION THAT IS PROPRIETARY TO ZDT TECHNOLOGY, AND SHOULD NOT BE USED WITHOUT WRITTEN PERMISSION

SEE THE TABLE
REVIEW TABLE FOR DETAILS

ZDT 深圳市中科兴达科技有限公司
SHENZHEN ZDT TECHNOLOGY CO., LTD

DRAWN BY DATE
SAM 2017.05.10

QUALITY SYMBOL	0	GENERAL TOLERANCES (UNLESS SPECIFIED)
	x.xxxxx	± ---
	x.xxx	± 0.10
	x.xx	± 0.25
	x.x	± 0.30
ANGULAR	± ---	

TITLE
USB TYPE 板上双外壳DIP+SMT垫高母座

CHECKED BY DATE
JAY 2017.05.10

DOCUMENT NO.
Z-CF077-75

SHEET NO.
3 OF 4

APPROVED BY DATE
JACKY 2017.05.10

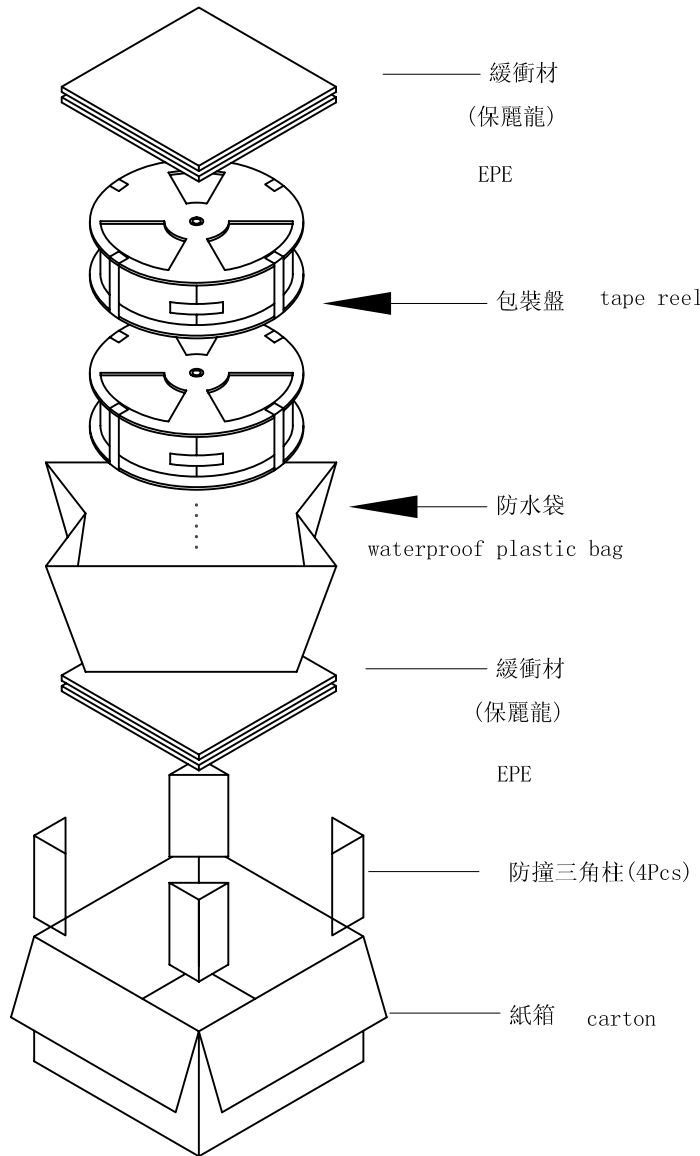
DIMENSION STYLE
MM ONLY

DESIGN UNITS
METRIC

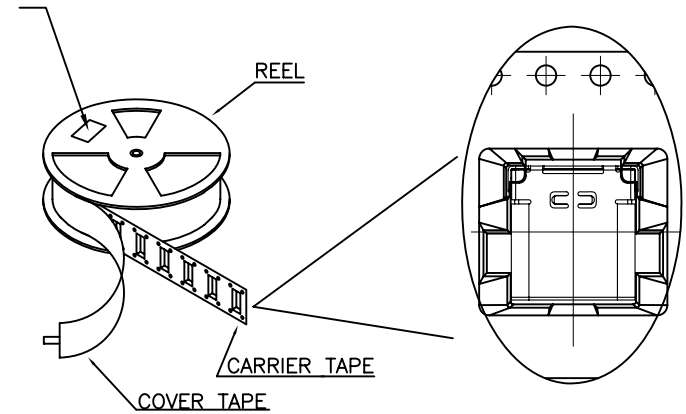
SCALE
5:1

THIRD ANGLE PROJECTION

REV	ECN No.	DATE	REMARK
A0	NEW	2017.05.10	NEW RELEASE



at small positioning hole of the carrier tape side).
 標籤黏貼處 (朝捲裝包材的小定位孔一側)
 Location of label sticking (label)



NOTE:

1. 每捲包裝數量及每箱裝箱數量如左下表格。
Packing q'ty of each reel & carton as below table shown.
2. 以上膠帶覆蓋下包裝帶經包裝機熱熔包裝
Use cover tape to cover and hot melt machine to seal up.
3. 每個紙箱放2個珍珠棉
Every carton use 2pcs EPE.
4. 將裝滿產品的卷盤放入紙箱并以膠帶封口
Put reels in the carton and use adhesive tape to seal up.

MATERIAL NO.:		THIS DRAWING CONTAINS INFORMATION THAT IS PROPRIETARY TO ZDT TECHNOLOGY. AND SHOULD NOT BE USED WITHOUT WRITTEN PERMISSION			
SEE THE TABLE REVIEW TABLE FOR DETAILS		ZDT 深圳市中兴兴达科技有限公司 SHENZHEN ZDT TECHNOLOGY CO., LTD		DRAWN BY SAM	DATE 2017.05.10
QUALITY SYMBOL 0 = Δ = 0 = ▽ =	GENERAL TOLERANCES (UNLESS SPECIFIED)	TITLE USB TYPE 板上双外壳DIP+SMT垫高母座		CHECKED BY JAY	DATE 2017.05.10
	x.xxxx	±	---	APPROVED BY JACKY	DATE 2017.05.10
	x.xxx	±	0.10		
	x.xx	±	0.25	DOCUMENT NO. Z-CF077-75	SHEET NO. 4 OF 4
	x.x	±	0.30	DIMENSION STYLE MM ONLY	DESIGN UNITS METRIC
ANGULAR	±	---	THIRD ANGLE PROJECTION		

產品料號 (PRODUCT No.)	包裝容量 (PACKING CAPACITY)			重量 WEIGHT (Kg)		
	PCS/REEL	REELS/CARTON	PCS/CARTON	N.W./PCS	N.W./BOX	G.W./BOX
	650	10	6500	0.704		