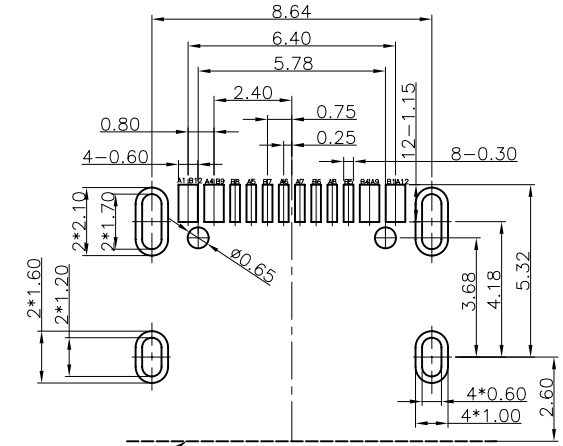
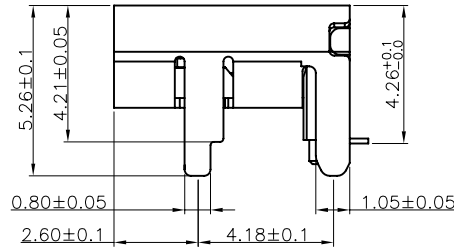
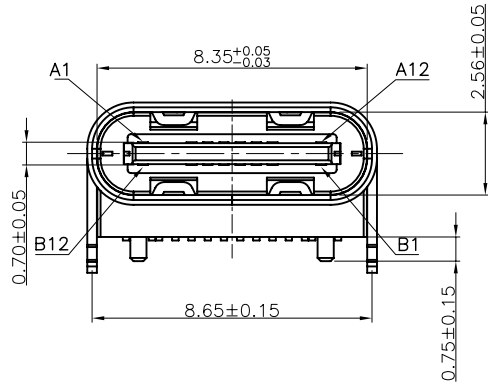
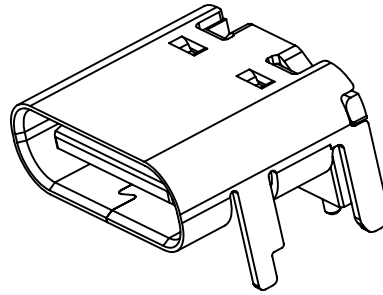
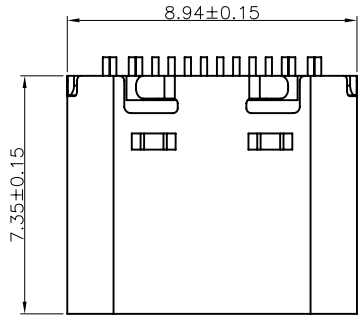


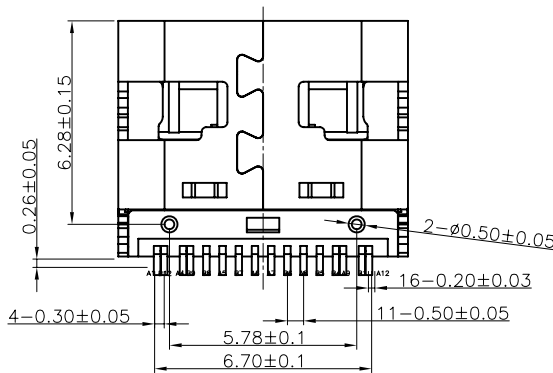
REV	ECN No.	DATE	REMARK
A0	NEW	2015.05.10	NEW RELEASE

NOTES:
SPECIFICATION:

- CURRENT RATING: 5A MAX
- VOLTAGE: 100 VAC
- TEMPERATURE RANGE: -30 °C ~ 85 °C
- CONTACT RESISTANCE: 40 MILLIONHM MAX
- INSULATION RESISTANCE: 100 MEGOHMS MIN.
- INSERTION FORCE : 5N~20N
- UNMATING FORCE: 8N~20N
- DURABILITY: 10,000 CYCLES



CONNECTOR FRONT EDGE
RECOMMENDED P.C.B. LAYOUT
TOLERANCE UNSPECIFIED ±0.05mm



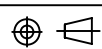
TYPE:

CF193-16SLB11R-D4	6	SHELL	STAINLESS STEEL	NI/SN Plated	1PCS
	5	SHIELDING PLATE	STAINLESS STEEL	---	1PCS
	4	MD	HIGH TEMPERATURE PLASTIC	BLACK	1PCS
	3	CONTACT	COPPER ALLOY	Au/Ni Plated	1SET
	2	CONTACT	COPPER ALLOY	Au/Ni Plated	1SET
	1	HOUSING	HIGH TEMPERATURE PLASTIC	BLACK	1PCS
PART NO.	NO.	DESCRIPTION	MATERIAL	REMARKS	QTY

A1	GND	B12	GND
A4	VBUS	B9	VBUS
A5	CC1	B8	SBU2
A6	DP1	B7	DN2
A7	DN1	B6	DP2
A8	SBU1	B5	CC2
A9	VBUS	B4	VBUS
A12	GND	B1	GND
PIN	SIGNAL NAME	PIN	SIGNAL NAME

PART NO.:
SEE THE PART NUMBER CODE




DRAWN BY SAM	DATE 2015.05.10
CHECKED BY JAY	DATE 2015.05.10
APPROVED BY JACKY	DATE 2015.05.10
 THIRD ANGLE PROJECTION	

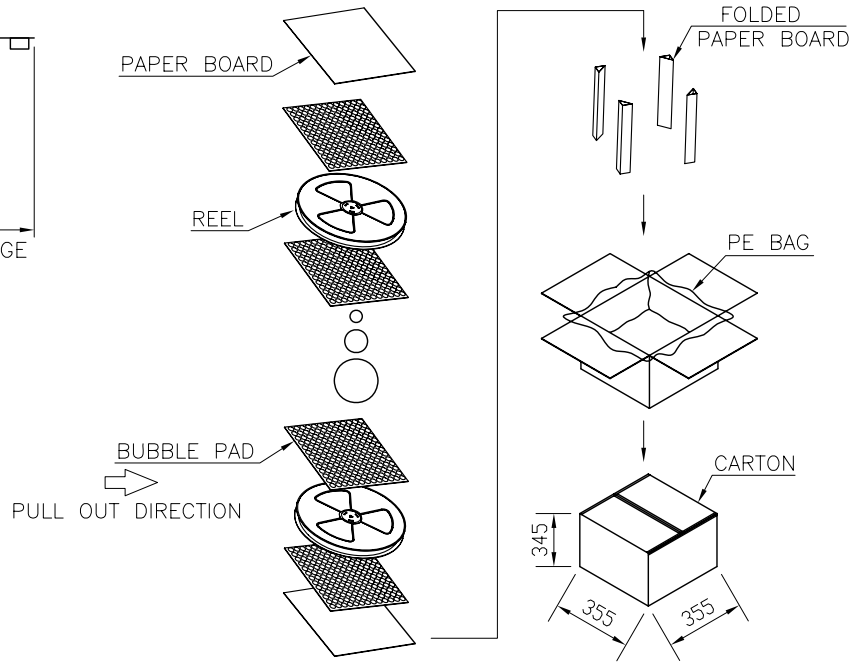
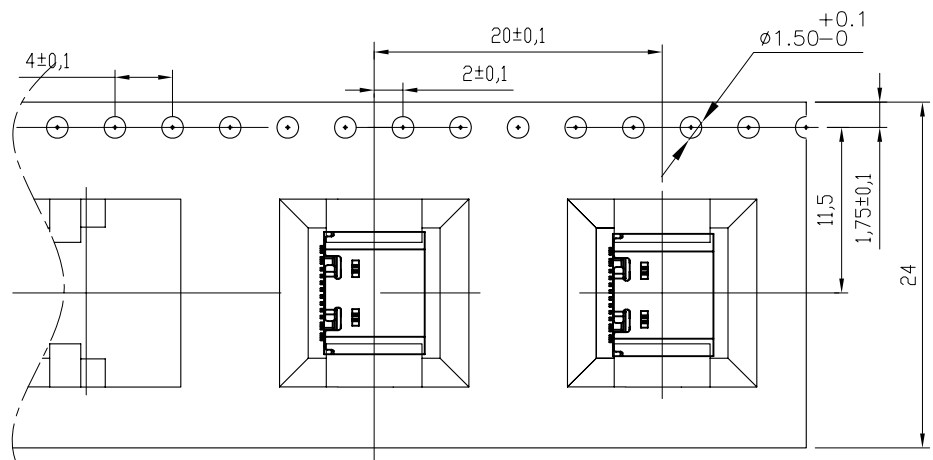
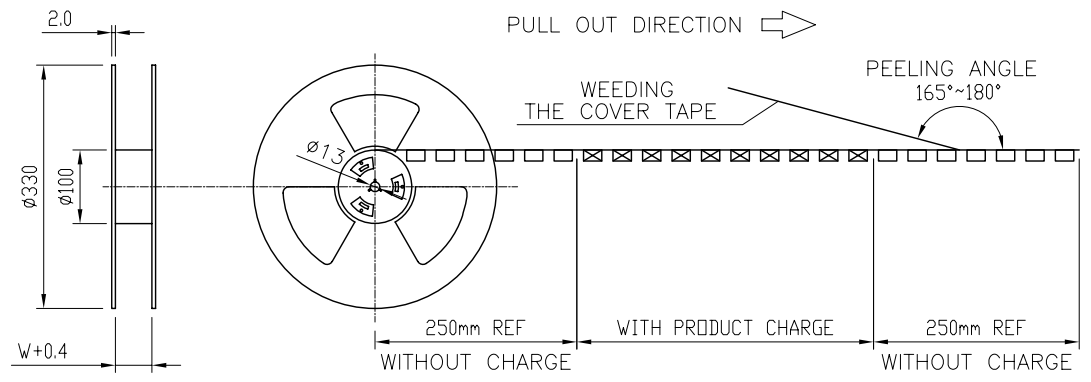
QUALITY SYMBOL	0	GENERAL TOLERANCES (UNLESS SPECIFIED)
	x.xxxx	± ---
	x.xxx	± 0.10
	x.xx	± 0.25
	x.x	± 0.30
▲	ANGULAR	± ---

TITLE TYPE C母座16PIN板上SMT插高型4.26	
DWG.NO. CF193-16-D4	SHEET NO. 1 OF 2
DIMENSION STYLE MM ONLY	DESIGN UNITS METRIC
SCALE 1:1	

10 9 8 7 6 5 4 3 2 1

RoHS Compliant  THIS DRAWING CONTAINS INFORMATION THAT IS PROPRIETARY TO ZDT TECHNOLOGY, AND SHOULD NOT BE USED WITHOUT WRITTEN PERMISSION

REV	ECN No.	DATE	REMARK
A0	NEW	2015.05.10	NEW RELEASE



NOTE:
1. QUANTITY: 700 PCS/REEL, 7000PCS/CARTON.

PART NO.: SEE THE PART NUMBER CODE		ZDT 深圳市中科兴达科技有限公司 SHENZHEN ZDT TECHNOLOGY CO., LTD		DRAWN BY SAM	DATE 2015.05.10
QUALITY SYMBOL 0 0 0 0 0	GENERAL TOLERANCES (UNLESS SPECIFIED)		TITLE TYPE C母座16PIN板上SMT垫高型4.26		
	x.xxxx	±	---	CHECKED BY JAY	DATE 2015.05.10
	x.xxx	±	0.10	APPROVED BY JACKY	DATE 2015.05.10
	x.xx	±	0.25		
	x.x	±	0.30		
ANGULAR	±	---	DWG.NO. CF193-16-D4	SHEET NO. 2 OF 2	
	DIMENSION STYLE MM ONLY	DESIGN UNITS METRIC	SCALE 1:1	THIRD ANGLE PROJECTION	