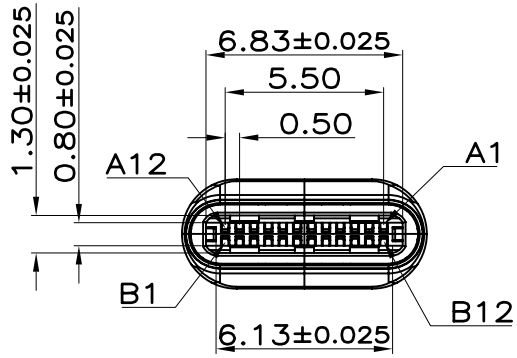


REV	ECN No.	DATE	REMARK
A0	NEW	2017.05.10	NEW RELEASE



备注:

1.电性参数

电 流: 3.0A Max
 接触电阻: 最初40mΩ Max,
 寿命测试后变化±10
 绝缘阻抗: 100MΩ Min
 耐 压: 100V AC

2.机械参数

插入力: 5-20N MAX.
 拔出力: 8-20N MIN.
 耐久性: 10000 Cycles 500
 cycles per hour

3.沾锡性: 温度250±5°, 时间5±0.5s

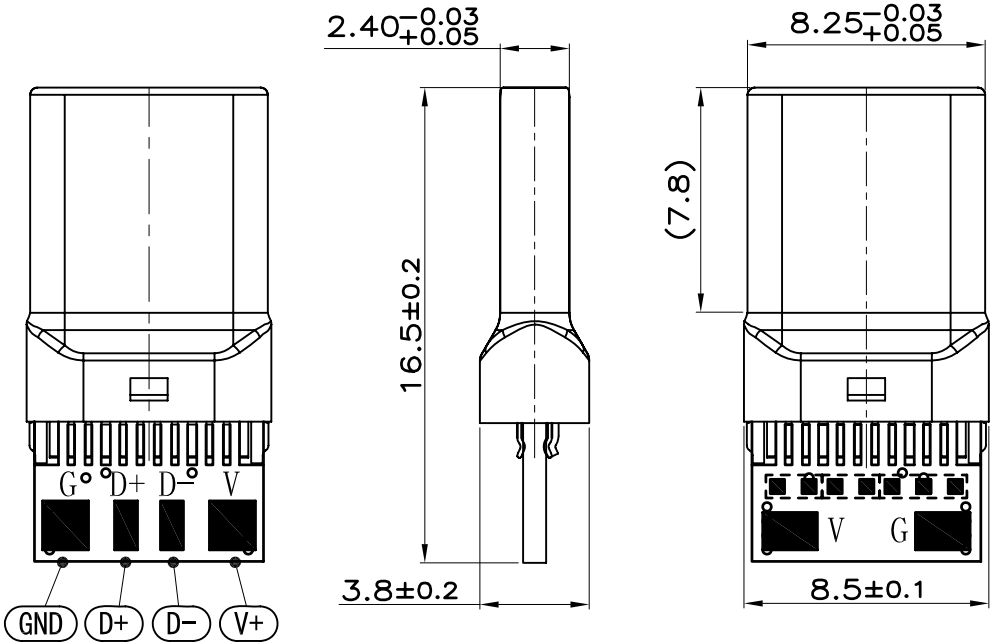
4. PCB双层板

5. PART NUMBER CODE:

C M 087 - 24 L X XX T - XX - 97
 ① ② ③

① HOUSING: B:BLACK W:WHITE
 ② CONTACTS PLATED: 01:半金锡1u"

③ PCB板规格
 02: 带板2.0,电阻56K
 04: 带板2.0,电阻5.1K,OTG
 08: 带板2.0,华为双电阻56K



TYPE C协会TID NO. 2045

MATERIAL NO.:

PART NUMBER CODE

REVIEW TABLE FOR DETAILS

QUALITY SYMBOL	GENERAL TOLERANCES (UNLESS SPECIFIED)
0	x.xxxxx ± ---
1	x.xxx ± 0.10
2	x.xx ± 0.25
3	x.x ± 0.30
4	ANGULAR ± ---

THIS DRAWING CONTAINS INFORMATION THAT IS PROPRIETARY TO ZDT TECHNOLOGY. AND SHOULD NOT BE USED WITHOUT WRITTEN PERMISSION

ZDT 深圳市中兴兴达科技有限公司
SHENZHEN ZDT TECHNOLOGY CO., LTD

TITLE	DRAWN BY	DATE
USB 3.1 Type C M牌板2.0双层板系列	SAM	2017.05.10
DOCUMENT NO.	CHECKED BY	DATE
CM087-24-97	JAY	2017.05.10
SHEET NO.	APPROVED BY	DATE
1 OF 2	JACKY	2017.05.10
DIMENSION STYLE	DESIGN UNITS	SCALE
MM ONLY	METRIC	5:1

THIRD ANGLE PROJECTION

frame size: A4

REV	ECN No.	DATE	REMARK
A0	NEW	2017.05.10	NEW RELEASE

焊板2.0系列，贴料说明：



Type_C 2.0 充电数据-56k电阻 CM087-24LX XXT-02-97																	
<table border="1" style="width: 100%; border-collapse: collapse;"> <tr><th colspan="2" style="text-align: center;">线路原理图</th></tr> <tr><th style="width: 50%;">PLUG端</th><th>PCB焊盘</th></tr> <tr><td>A1, A12, B1, B12, Shell</td><td>GND</td></tr> <tr><td>A4, A9, B4, B9</td><td>VBUS</td></tr> <tr><td>A5</td><td></td></tr> <tr><td>A6</td><td>Dp1</td></tr> <tr><td>A7</td><td>Dn1</td></tr> </table> <p>电阻 56K</p>	线路原理图		PLUG端	PCB焊盘	A1, A12, B1, B12, Shell	GND	A4, A9, B4, B9	VBUS	A5		A6	Dp1	A7	Dn1	<p style="text-align: right;">电阻:56K (VBUS & A5)</p>		
线路原理图																	
PLUG端	PCB焊盘																
A1, A12, B1, B12, Shell	GND																
A4, A9, B4, B9	VBUS																
A5																	
A6	Dp1																
A7	Dn1																
Type_C 2.0 OTG CM087-24LX XXT-04-97																	
<table border="1" style="width: 100%; border-collapse: collapse;"> <tr><th colspan="2" style="text-align: center;">线路原理图</th></tr> <tr><th style="width: 50%;">PLUG端</th><th>PCB焊盘</th></tr> <tr><td>A1, A12, B1, B12, Shell</td><td>GND</td></tr> <tr><td>A5</td><td></td></tr> <tr><td>A4, A9, B4, B9</td><td>VBUS</td></tr> <tr><td>A6</td><td>Dp1</td></tr> <tr><td>A7</td><td>Dn1</td></tr> </table> <p>电阻 5.1K</p>	线路原理图		PLUG端	PCB焊盘	A1, A12, B1, B12, Shell	GND	A5		A4, A9, B4, B9	VBUS	A6	Dp1	A7	Dn1	<p style="text-align: right;">电阻:5.1K (GND & A5)</p>		
线路原理图																	
PLUG端	PCB焊盘																
A1, A12, B1, B12, Shell	GND																
A5																	
A4, A9, B4, B9	VBUS																
A6	Dp1																
A7	Dn1																
Type_C 2.0 充电数据-华为56k双电阻 CM087-24LX XXT-08-97																	
<table border="1" style="width: 100%; border-collapse: collapse;"> <tr><th colspan="2" style="text-align: center;">线路原理图</th></tr> <tr><th style="width: 50%;">PLUG端</th><th>PCB焊盘</th></tr> <tr><td>A1, A12, B1, B12, Shell</td><td>GND</td></tr> <tr><td>B5</td><td></td></tr> <tr><td>A4, A9, B4, B9</td><td>VBUS</td></tr> <tr><td>A5</td><td></td></tr> <tr><td>A6</td><td>Dp1</td></tr> <tr><td>A7</td><td>Dn1</td></tr> </table> <p>电阻 56K</p> <p>电阻 56K</p>	线路原理图		PLUG端	PCB焊盘	A1, A12, B1, B12, Shell	GND	B5		A4, A9, B4, B9	VBUS	A5		A6	Dp1	A7	Dn1	<p style="text-align: right;">电阻:56K (VBUS & A5)</p> <p style="text-align: right;">电阻:56K (VBUS & B5)</p>
线路原理图																	
PLUG端	PCB焊盘																
A1, A12, B1, B12, Shell	GND																
B5																	
A4, A9, B4, B9	VBUS																
A5																	
A6	Dp1																
A7	Dn1																

MATERIAL NO.:		THIS DRAWING CONTAINS INFORMATION THAT IS PROPRIETARY TO ZDT TECHNOLOGY. AND SHOULD NOT BE USED WITHOUT WRITTEN PERMISSION		
PART NUMBER CODE		ZDT 深圳市中兴兴达科技有限公司 SHENZHEN ZDT TECHNOLOGY CO.,LTD	DRAWN BY SAM	DATE 2017.05.10
REVIEW TABLE FOR DETAILS			CHECKED BY JAY	DATE 2017.05.10
QUALITY SYMBOL 0 0 0 0 0	GENERAL TOLERANCES (UNLESS SPECIFIED)	TITLE USB 3.1 Type C M焊板2.0双层板系列		APPROVED BY JACKY
	x.xxxxx	±	---	DATE 2017.05.10
	x.xxx	±	0.10	DOCUMENT NO. CM087-24-97
	x.xx	±	0.25	SHEET NO. 2 OF 2
	x.x	±	0.30	SCALE 5:1
ANGULAR	±	---	DIMENSION STYLE MM ONLY	DESIGN UNITS METRIC
		THIRD ANGLE PROJECTION		