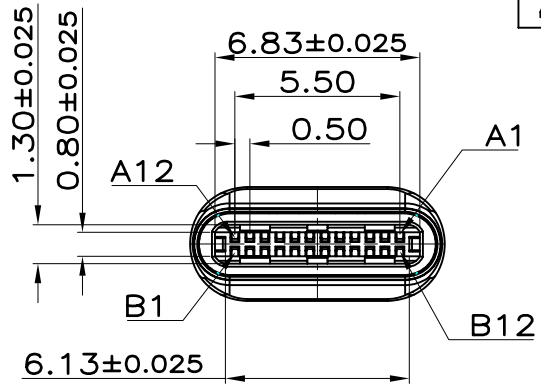
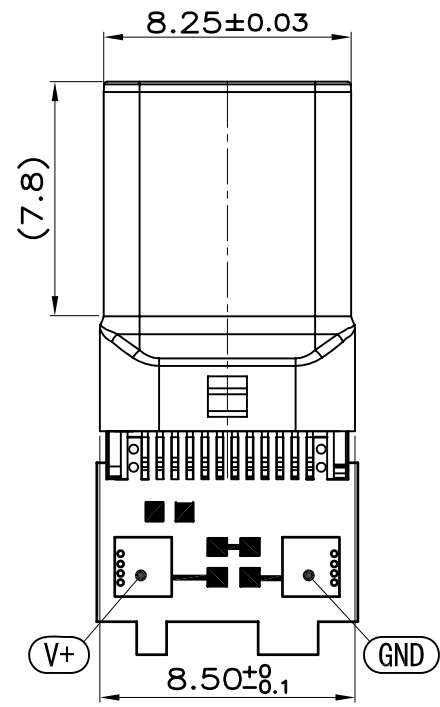
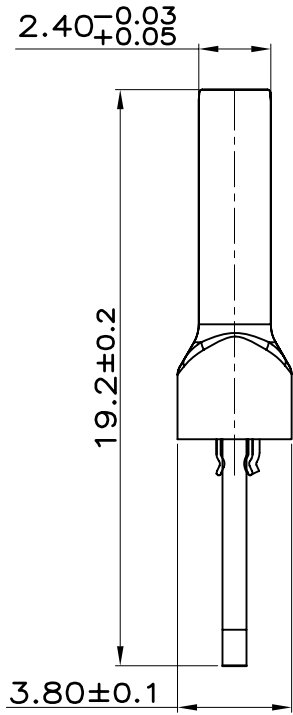
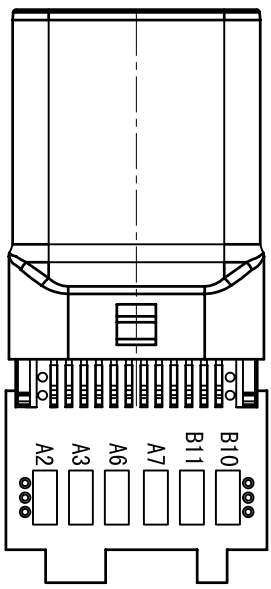


REV	ECN No.	DATE	REMARK
A0	NEW	2017.05.10	NEW RELEASE



备注:  
 1.电性参数  
 电流: 3.0A Max  
 接触电阻: 最初40mΩ Max,  
 寿命测试后变化±10  
 绝缘阻抗: 100MΩ Min  
 耐压: 100V AC  
 2.机械参数  
 插入力: 5-20N MAX.  
 拔出力: 8-20N MIN.  
 耐久性: 10000 Cycles 500  
 cycles per hour  
 3.沾锡性: 温度250±5°, 时间5±0.5s  
 4. PCB四层板



5. PART NUMBER CODE:  
 C M 100 - 24 L X XX T - XX - 97  
 ① ② ③

① HOUSING: B:BLACK W:WHITE  
 ② CONTACTS PLATED: 01:半金锡1u"  
 ③ PCB板规格:  
 03: 3.0 56K电阻  
 19: 3.0 22K电阻  
 20: 3.0 10k电阻  
 21: 3.0 5.1K电阻

TYPE C协会TID NO. 2045

MATERIAL NO.:		THIS DRAWING CONTAINS INFORMATION THAT IS PROPRIETARY TO ZDT TECHNOLOGY. AND SHOULD NOT BE USED WITHOUT WRITTEN PERMISSION			
PART NUMBER CODE		DRAWN BY SAM		DATE 2017.05.10	
REVIEW TABLE FOR DETAILS		CHECKED BY JAY		DATE 2017.05.10	
GENERAL TOLERANCES (UNLESS SPECIFIED)		APPROVED BY JACKY		DATE 2017.05.10	
QUALITY SYMBOL	0	TITLE USB 3.1 Type_C/M 焊板3.0 四层板系列		DOCUMENT NO. CM100-24-97	
0	△	SHEET NO. 2 OF 2		SCALE 5:1	
0	▽	DIMENSION STYLE MM ONLY		DESIGN UNITS METRIC	
0	▲	ANGULAR		THIRD ANGLE PROJECTION	

REV	ECN No.	DATE	REMARK
A0	NEW	2017.05.10	NEW RELEASE



3.0 电阻56K

线路原理图	
PLUG端	PCB焊盘
A1, A12, B1, B12, Shell	GND
A4, A9, B4, B9	VBUS
A5	
A6	Dp1
A7	Dn1
A2	TX1+
A3	TX1-
B10	RX1-
B11	RX1+

3.0 电阻22K

线路原理图	
PLUG端	PCB焊盘
A1, A12, B1, B12, Shell	GND
A4, A9, B4, B9	VBUS
A5	
A6	Dp1
A7	Dn1
A2	TX1+
A3	TX1-
B10	RX1-
B11	RX1+

3.0 电阻10K

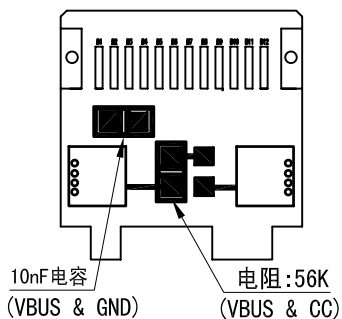
线路原理图	
PLUG端	PCB焊盘
A1, A12, B1, B12, Shell	GND
A4, A9, B4, B9	VBUS
A5	
A6	Dp1
A7	Dn1
A2	TX1+
A3	TX1-
B10	RX1-
B11	RX1+

3.0 电阻5.1K

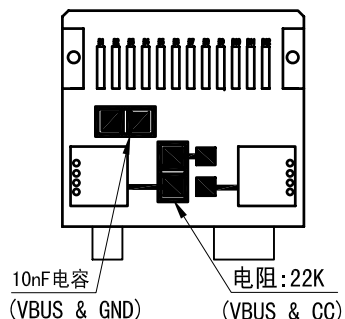
线路原理图	
PLUG端	PCB焊盘
A4, A9, B4, B9	VBUS
A1, A12, B1, B12, Shell	GND
A5	
A6	Dp1
A7	Dn1
A2	TX1+
A3	TX1-
B10	RX1-
B11	RX1+

## 焊板3.0系列，贴料说明：

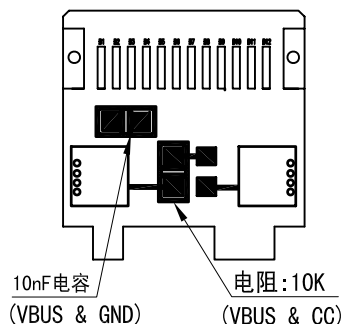
Type\_C 3.0充电数据-1A 电阻56K



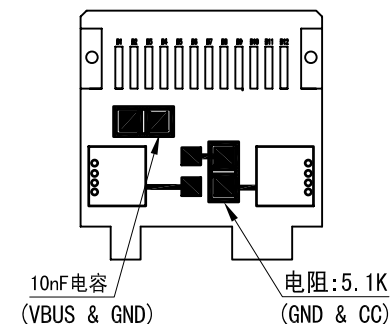
Type\_C 3.0充电数据-1.5A 电阻22K



Type\_C 3.0充电数据-3A 电阻56K

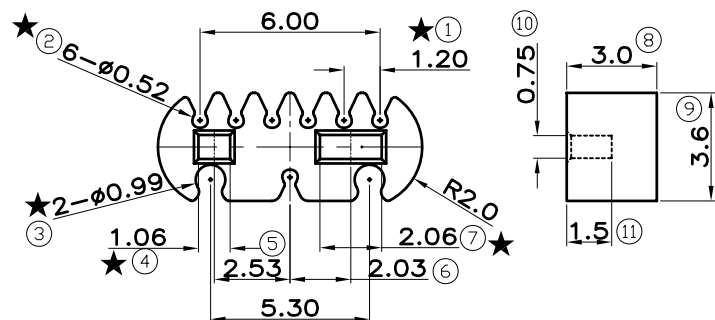


Type\_C 3.0 OTG 电阻5.1K



MATERIAL NO.:		THIS DRAWING CONTAINS INFORMATION THAT IS PROPRIETARY TO ZDT TECHNOLOGY. AND SHOULD NOT BE USED WITHOUT WRITTEN PERMISSION			
PART NUMBER CODE		ZDT 深圳市中兴兴达科技有限公司 SHENZHEN ZDT TECHNOLOGY CO., LTD	DRAWN BY SAM	DATE 2017.05.10	
REVIEW TABLE FOR DETAILS			CHECKED BY JAY	DATE 2017.05.10	
QUALITY SYMBOL 0 0 0 0 0	GENERAL TOLERANCES (UNLESS SPECIFIED)	TITLE USB 3.1 Type_C/M 焊板3.0 四层板系列		APPROVED BY JACKY	DATE 2017.05.10
	x.xxxxx	±	---	DOCUMENT NO. CM099-24-97	
	x.xxxx	±	0.10	SHEET NO. 2 OF 2	
	x.xxx	±	0.25	SCALE 5:1	
	x.xx	±	0.30	DIMENSION STYLE MM ONLY	
x.x	±	---	DESIGN UNITS METRIC		
ANGULAR	±	---	THIRD ANGLE PROJECTION		

REV	ECN No.	DATE	REMARK
A0	NEW	2017.05.10	NEW RELEASE



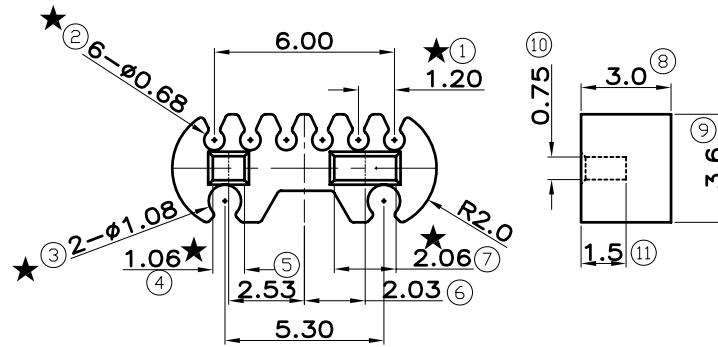
**32+24AWG**

**NOTES:**

- 1、材料: PA66 GF15% UL94 V-0 黑色
- 2、标有“★”的为重点检测尺寸
- 3、标有“①②”序号的为FAI检测尺寸
- 4、符合本公司环境物质管理标准

<b>MATERIAL NO.:</b>		THIS DRAWING CONTAINS INFORMATION THAT IS PROPRIETARY TO ZDT TECHNOLOGY. AND SHOULD NOT BE USED WITHOUT WRITTEN PERMISSION			
<b>PART NUMBER CODE</b>		<b>ZDT</b> 深圳市中兴兴达科技有限公司 SHENZHEN ZDT TECHNOLOGY CO., LTD		<b>DRAWN BY</b> SAM	<b>DATE</b> 2017.05.10
<b>REVIEW TABLE FOR DETAILS</b>		<b>TITLE</b> USB 3.1 Type_C/M 焊板3.0 线夹32AWG		<b>CHECKED BY</b> JAY	<b>DATE</b> 2017.05.10
<b>QUALITY SYMBOL</b>	0	<b>GENERAL TOLERANCES (UNLESS SPECIFIED)</b>		<b>DOCUMENT NO.</b> CM099-24-97	<b>SHEET NO.</b> 1 OF 1
	0	x.xxxxx	± ---	<b>APPROVED BY</b> JACKY	
	0	x.xxx	± 0.10		
	0	x.xx	± 0.25		
	0	x.x	± 0.30		
0	ANGULAR	± ---	<b>DIMENSION STYLE</b> MM ONLY	<b>DESIGN UNITS</b> METRIC	<b>SCALE</b> 5:1
				<b>THIRD ANGLE PROJECTION</b>	

REV	ECN No.	DATE	REMARK
A0	NEW	2017.05.10	NEW RELEASE



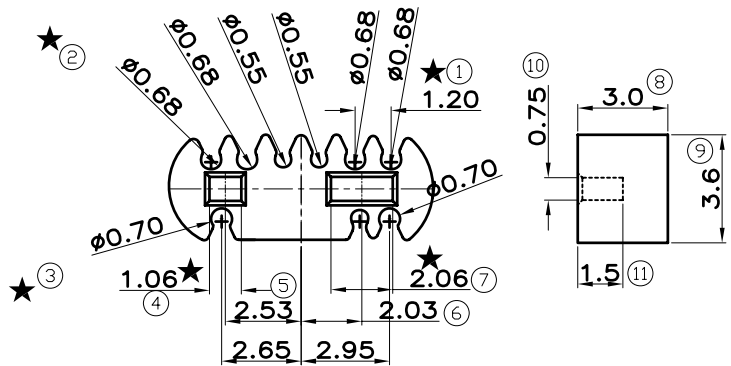
30AWG

NOTES:

- 1、材料: PA66 GF15% UL94 V-0 黑色
- 2、标有“★”的为重点检测尺寸
- 3、标有“①②”序号的为FAI检测尺寸
- 4、符合本公司环境物质管理标准

MATERIAL NO.:		THIS DRAWING CONTAINS INFORMATION THAT IS PROPRIETARY TO ZDT TECHNOLOGY. AND SHOULD NOT BE USED WITHOUT WRITTEN PERMISSION			
PART NUMBER CODE		ZDT 深圳市中科兴达科技有限公司 SHENZHEN ZDT TECHNOLOGY CO., LTD		DRAWN BY SAM	DATE 2017.05.10
REVIEW TABLE FOR DETAILS		TITLE USB 3.1 Type_C/M 焊板3.0 线夹30AWG		CHECKED BY JAY	DATE 2017.05.10
QUALITY SYMBOL ▽=0 ▽=0 ▽=0 ▽=0 ▽=0	GENERAL TOLERANCES (UNLESS SPECIFIED)	DOCUMENT NO. CM099-24-97		SHEET NO. 1 OF 1	
	x.xxxxx	±	DIMENSION STYLE MM ONLY		SCALE 5:1
	x.xxxx	±	DESIGN UNITS METRIC		THIRD ANGLE PROJECTION
	x.xxx	±	FRAME SIZE: A4		
	x.xx	±			
x.x	±				
ANGULAR	±				

REV	ECN No.	DATE	REMARK
A0	NEW	2017.05.10	NEW RELEASE



**38AWG**

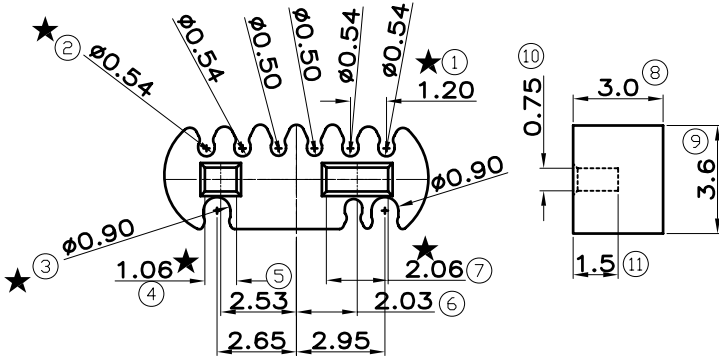
**NOTES:**

- 1、材料: PA66 GF15% UL94 V-0 黑色
- 2、标有“★”的为重点检测尺寸
- 3、标有“①②”序号的为FAI检测尺寸
- 4、符合本公司环境物质管理标准

<b>MATERIAL NO.:</b>		THIS DRAWING CONTAINS INFORMATION THAT IS PROPRIETARY TO ZDT TECHNOLOGY, AND SHOULD NOT BE USED WITHOUT WRITTEN PERMISSION			
<b>PART NUMBER CODE</b>		<b>ZDT</b> 深圳市中兴兴达科技有限公司 SHENZHEN ZDT TECHNOLOGY CO., LTD		<b>DRAWN BY</b> SAM	<b>DATE</b> 2017.05.10
<b>REVIEW TABLE FOR DETAILS</b>		<b>TITLE</b> USB 3.1 Type_C/M 焊板3.0 线夹38AWG		<b>CHECKED BY</b> JAY	<b>DATE</b> 2017.05.10
<b>QUALITY SYMBOL</b>	$\nabla=0$	<b>GENERAL TOLERANCES (UNLESS SPECIFIED)</b>		<b>APPROVED BY</b> JACKY	<b>DATE</b> 2017.05.10
	x.xxxx	±	---		
	x.xxx	±	0.10		
	x.xx	±	0.25		
	x.x	±	0.30		
▲	ANGULAR	±	---		
		<b>DOCUMENT NO.</b> CM099-24-97	<b>SHEET NO.</b> 1 OF 1		
		<b>DIMENSION STYLE</b> MM ONLY	<b>DESIGN UNITS</b> METRIC	<b>SCALE</b> 5:1	<b>THIRD ANGLE PROJECTION</b>

frame size: A4

REV	ECN No.	DATE	REMARK
A0	NEW	2017.05.10	NEW RELEASE



**32+26AWG**

- NOTES:
- 1、材料: PA66 GF15% UL94 V-0 黑色
  - 2、标有“★”的为重点检测尺寸
  - 3、标有“①②”序号的为FAI检测尺寸
  - 4、符合本公司环境物质管理标准

MATERIAL NO.:		THIS DRAWING CONTAINS INFORMATION THAT IS PROPRIETARY TO ZDT TECHNOLOGY. AND SHOULD NOT BE USED WITHOUT WRITTEN PERMISSION			
PART NUMBER CODE		ZDT 深圳市中科兴达科技有限公司 SHENZHEN ZDT TECHNOLOGY CO.,LTD		DRAWN BY SAM	DATE 2017.05.10
REVIEW TABLE FOR DETAILS		TITLE USB 3.1 Type_C/M 焊板3.0 线夹26AWG		CHECKED BY JAY	DATE 2017.05.10
QUALITY SYMBOL = 0 = 0 = 0 = 0 = 0	GENERAL TOLERANCES (UNLESS SPECIFIED)	DOCUMENT NO. CM099-24-97		SHEET NO. 1 OF 1	
	x.xxxxx	DIMENSION STYLE MM ONLY		SCALE 5:1	
	x.xxxx	DESIGN UNITS METRIC		THIRD ANGLE PROJECTION	
	x.xxx				
	x.xx				
x.x					
ANGULAR					