

RoHS Compliant

THIS DRAWING CONTAINS INFORMATION THAT IS PROPRIETARY TO ZDT TECHNOLOGY, AND SHOULD NOT BE USED WITHOUT WRITTEN PERMISSION

REV	ECN No.	DATE	REMARK
A0	NEW	2019.09.12	NEW RELEASE

料号: CM130-16LX01U-02-97

线路原理图

PLUG端	PCB焊盘
A1, A12, B1, B12, Shell	GND
A4, A9, B4, B9	VBUS
A5	
A6	Dp1
A7	Dn1

电阻 56K (RP)

贴片位置如下:

料号: CM130-16LX01U-04-97

线路原理图

PLUG端	PCB焊盘
A1, A12, B1, B12, Shell	GND
A5	
A4, A9, B4, B9	VBUS
A6	Dp1
A7	Dn1

电阻 5.1K (RD)

贴片位置如下:

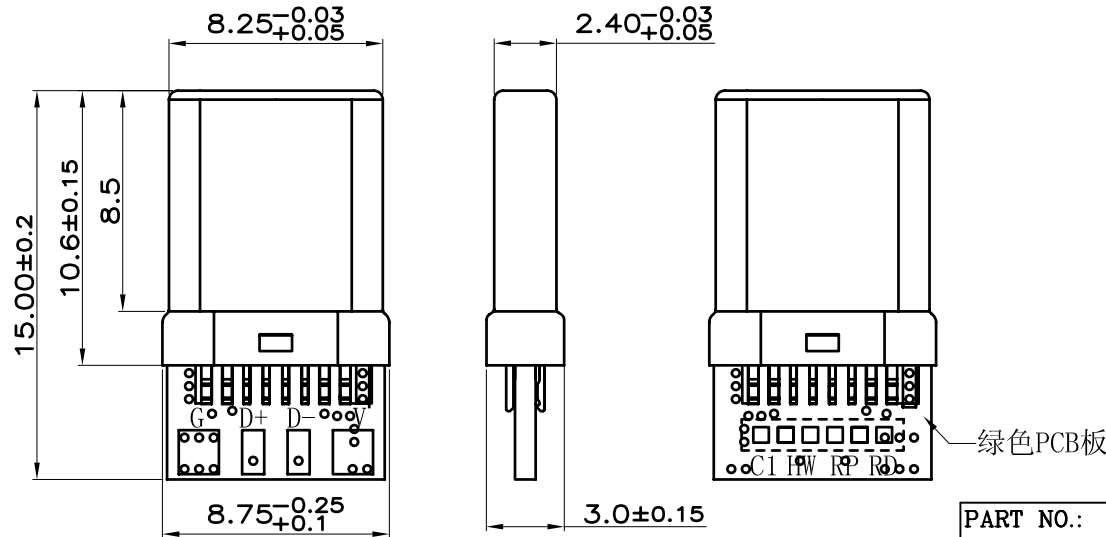
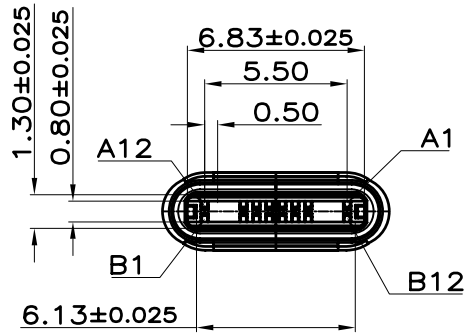
料号: CM130-16LX01U-08-97

线路原理图

PLUG端	PCB焊盘
A1, A12, B1, B12, Shell	GND
B5	
A4, A9, B4, B9	VBUS
A5	
A6	Dp1
A7	Dn1

(HW) 电阻 56K (RP)
(RD) 电阻 56K (RP)

贴片位置如下:



- 电性参数
 - 接触电阻: 最初40mΩ Max, 寿命测试后变化±10
 - 绝缘阻抗: 100MΩ Min
 - 耐压: 100V AC
- 机械参数
 - 插入力: 5-20N MAX.
 - 拔出力: 8-20N MIN.
 - 耐久性: 10000 Cycles 500 cycles per hour
- 沾锡性: 温度250±5°, 时间5±0.5s

4. PART NUMBER CODE:

CM130-16 L X 01 U - XX - 97
 ① ② ③

- ① HOUSING: B:BLACK W:WHITE
- ② CONTACTS PLATED: 01:半金锡1u"
- ③ PCB板规格
 - 02: 带板2.0,电阻56K
 - 04: 带板2.0,电阻5.1K,OTG
 - 08: 带板2.0,华为双电阻56K

PART NO.: SEE THE PART NUMBER CODE		ZDT 深圳市中兴兴达科技有限公司 SHENZHEN ZDT TECHNOLOGY CO., LTD		DRAWN BY SAM	DATE 2019.09.12
GENERAL TOLERANCES (UNLESS SPECIFIED)		TITLE TYPE C公头16PIN拉伸壳带板A TO C L=15.0MM			
QUALITY SYMBOL	0	x.xxxx	±	---	
	0	x.xxx	±	0.10	
	0	x.xx	±	0.25	
	0	x.x	±	0.30	
	0	ANGULAR	±	---	
DWG.NO. CM130-16-97		SHEET NO. 1 OF 1		APPROVED BY JACKY	
DIMENSION STYLE MM ONLY		DESIGN UNITS METRIC		DATE 2019.09.12	
SCALE 1:1		THIRD ANGLE PROJECTION			