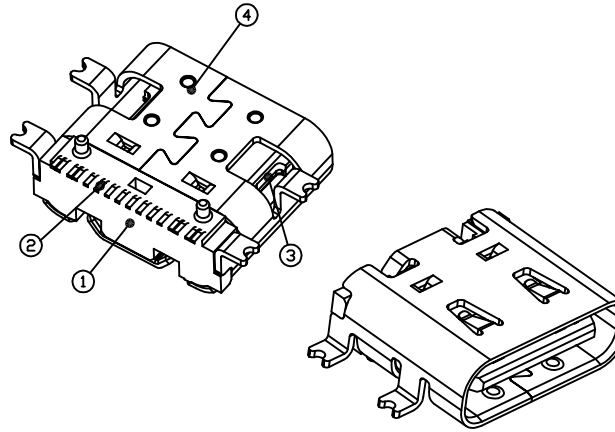
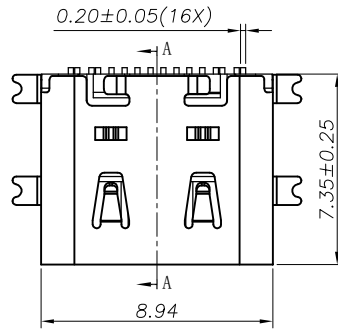


RoHS Compliant

THIS DRAWING CONTAINS INFORMATION THAT IS PROPRIETARY TO ZDT TECHNOLOGY, AND SHOULD NOT BE USED WITHOUT WRITTEN PERMISSION

REV	ECN No.	DATE	REMARK
A0	NEW	2019.05.22	NEW RELEASE

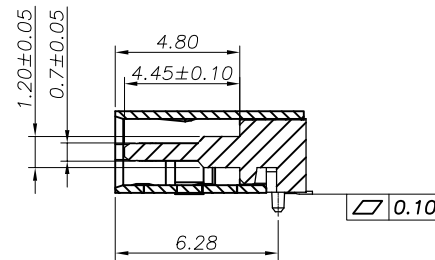
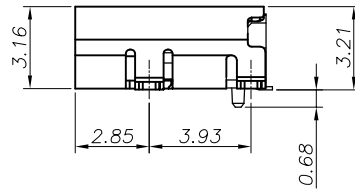
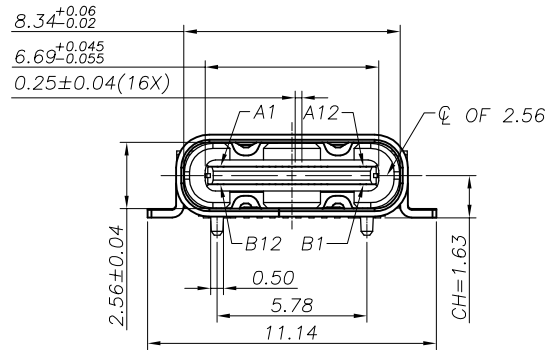


NOTE:

- Electrical Characteristics:
 - 1-1: Current Rating: 5A For Pin(A4,A9,B4,B9)
1.25A For Pin(B5)
0.25A For Others Pin
 - 1-2: VOLTAGE RATING:5.0V
 - 1-3: Insulation Resistance: 100MΩ Min.
 - 1-4: Contact Resistance:
VBUS & GND PINS AND OTHER PINS: 40mΩ/PIN MAX.
SHIELD:50mΩ/MAX.
SHIELD:LLCR MAX. CHANGE OF ALL PINS: 10mΩ.
 - 1-5: Dielectric Withstanding Voltage: 100V/AC 1Minute
- Mechanical Characteristics:
 - Insertion Force: 5~20N
 - Extraction Force: Initial: 8~20N
After durability: 6~20N
 - Durability :10000 Cycles
- Operating Temperature: -25°C TO +85°C

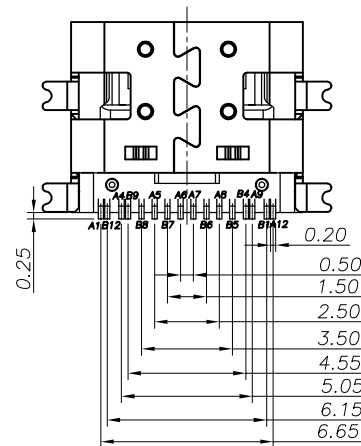
4. PART NUMBER CODE:(产品料号)
C F179 - 16 S L B XX R - 02
(1) (2) (3) (4)

- (1) HOUSING MATERIAL:
L:LCP
- (2) HOUSING COLOR:
B:BLACK
- (3) CONTACTS PLATED:
12:接触镀金3u*其它GF
- (4) PACKING OPTIONS
R:TAPE & REEL



TYPE:

NO.	DESCRIPTION	MATERIAL	REMARKS	QTY
4	SHELL	SUS304 1/2H T=0.30mm	NICKEL 30u" MIN PLATING	1PCS
3	SHIELDING PLATE	SUS301 3/4H T=0.15mm	---	1PCS
2	CONTACT	C18400-H T=0.12mm	Ni 50u" MIN. UNDER PLATED OVER ALL Au 3u" PLATED ON THE FUNCTIONAL AREA OF CONTACT. PLATING G/F OF THE SOLDER AREA.	2SET
1	HOUSING	LCP UL94V-0	BLACK	1PCS



PART NO.:
SEE THE PART NUMBER CODE

ZDT 深圳市中科兴达科技有限公司
SHENZHEN ZDT TECHNOLOGY CO., LTD

DRAWN BY: SAM
DATE: 2019.05.22

QUALITY SYMBOL	0	GENERAL TOLERANCES (UNLESS SPECIFIED)
	x.xxxxx	± ---
	x.xxx	± 0.10
	x.xx	± 0.20
	x.x	± 0.30
▲	ANGULAR	± ---

TITLE USB CF 16PIN L=7.35 SMT TYPE		SHEET NO. 1 OF 2	
DWG.NO. CF179-16-02		SCALE 1:1	
DIMENSION STYLE MM ONLY		DESIGN UNITS METRIC	

CHECKED BY: JAY
DATE: 2019.05.22

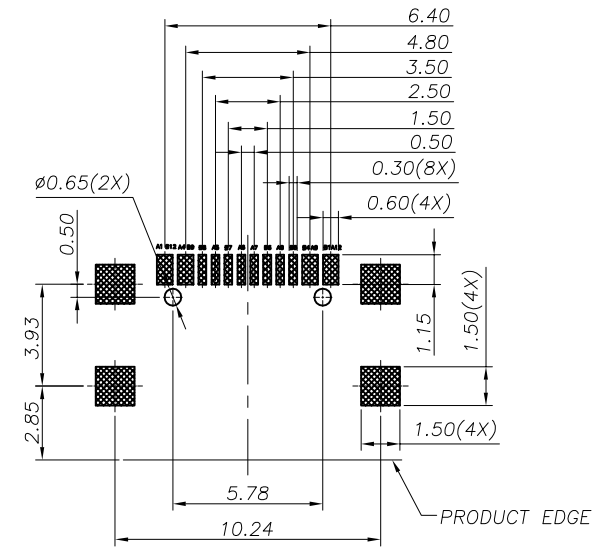
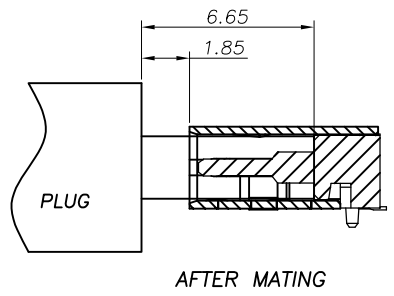
APPROVED BY: JACKY
DATE: 2019.05.22

THIRD ANGLE PROJECTION

RoHS Compliant 


THIS DRAWING CONTAINS INFORMATION THAT IS PROPRIETARY TO ZDT TECHNOLOGY, AND SHOULD NOT BE USED WITHOUT WRITTEN PERMISSION

REV	ECN No.	DATE	REMARK
A0	NEW	2019.05.22	NEW RELEASE



USB TYPE-C PIN ASSIGNMENTS

PIN NUMBER	SIGNAL NAME	PIN NUMBER	SIGNAL NAME
A1	GND	B12	GND
A4	VBUS	B9	VBUS
A5	CC1	B8	SBU2
A6	Dp1	B7	Dn2
A7	Dn1	B6	Dp2
A8	SBU1	B5	CC2
A9	VBUS	B4	VBUS
A12	GND	B1	GND

PART NO.: SEE THE PART NUMBER CODE		 深圳市中科兴达科技有限公司 SHENZHEN ZDT TECHNOLOGY CO., LTD		DRAWN BY SAM	DATE 2019.05.22
GENERAL TOLERANCES (UNLESS SPECIFIED)		TITLE USB CF 16PIN L=7.35 SMT TYPE		CHECKED BY JAY	DATE 2019.05.22
QUALITY SYMBOL	0	DWG.NO.	CF179-16-02	APPROVED BY JACKY	DATE 2019.05.22
	x.xxxxx	DIMENSION STYLE	MM ONLY	SCALE 1:1	
	x.xxx	DESIGN UNITS	METRIC	THIRD ANGLE PROJECTION	
	x.xx				
	x.x				
	ANGULAR				