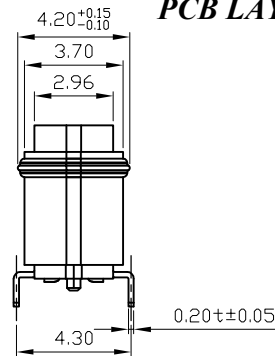
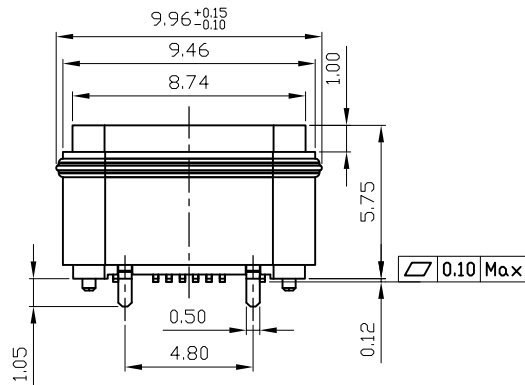
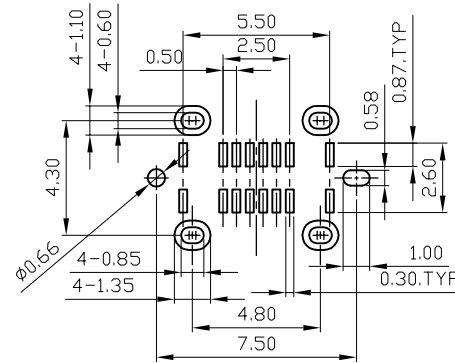
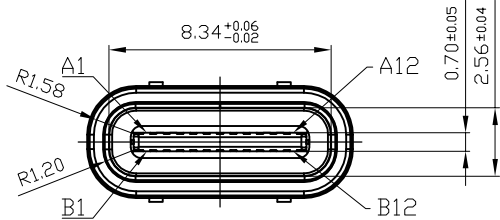
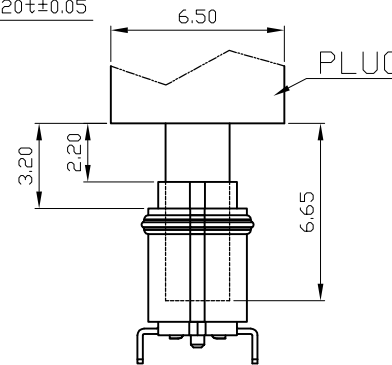
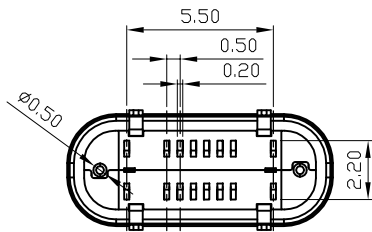


RoHS Compliant 

THIS DRAWING CONTAINS INFORMATION THAT IS PROPRIETARY TO ZDT TECHNOLOGY, AND SHOULD NOT BE USED WITHOUT WRITTEN PERMISSION



PCB LAYOUT ±0.05



MATED CONDITION(REF.)

REV	ECN No.	DATE	REMARK
A	NEW	2020.09.01	NEW RELEASE
A1	---	2021.08.24	修改图纸与实物相符

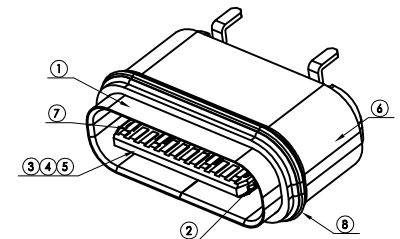
NOTE:

- Material:
All Housing: PA46,Black,UL94V-0
Insulation Jacket: PA46,Black,UL94V-0
Contact: Copper Alloy
Mid Plate: Stainless Steel
Shell: Stainless Steel
O-Ring: silica gel
- FINISH:
Contact: Ni 50u" MIN. UNDERPLATED OVER ALL
Au PLATED ON THE FUNCTIONAL AREA OF CONTACT.
(GOLD PLATING THICKNESS FOLLOW THE P/N)
PLATING SPECIFICATIONS OF THE SOLDER AREA FOLLOW THE P/N
Mid-Plate: CLEAR ONLY
Shell: 30u" MIN Nickel Over All
- Electrical Characteristics:
Current Rating: 5A For Pin(A4,A9,B4,B9)
1.25A For Pin(B5)
0.25A For Others Pin
Insulation Resistance: 100MΩ Min.
Contact Resistance: 50 mΩ Max.
Dielectric Withstanding Voltage: 100V/AC 1Minute
- Mechanical Characteristics:
Insertion Force: 5~20N
Extraction Force: Initial: 8~20N
After durability: 6~20N
Durability :10000 Cycles
- Operating Temperature: -30°C TO +85°C

6.PART NUMBER CODE:(产品料号)

CF273-16 X X XX R-68
(1) (2) (3) (4)

- HOUSING MATERIAL:
N:PA46
- HOUSING COLOR:
B:BLACK
- CONTACTS PLATED:
11:金1u"
- PACKING OPTIONS
R:TAPE & REEL



8	O-Ring		SILICA GEL		1PCS
7	Terminal		Copper alloys	1u" Au PLATED ON OF CONTACT	2SET
6	Insulation Jacket		PA46 UL 94V-0, HF		1PCS
5	Triple Molding				1PCS
4	Second Molding				2PCS
3	Once Molding				1PCS
2	Mid-Plate		Stainless Steel		1PCS
1	Shell		Stainless Steel	Nickel Plating	1PCS

项次 NO.	品名 NAME	料号 PART NUMBER	材料 MATERIAL	表面处理 PLATING	备注 MARK
-----------	------------	-------------------	----------------	-----------------	------------

PART NO.:
SEE THE PART NUMBER CODE

ZDT 深圳市中科兴达科技有限公司
SHENZHEN ZDT TECHNOLOGY CO., LTD

DRAWN BY
SAM

DATE
2021.08.24

QUALITY SYMBOL	GENERAL TOLERANCES (UNLESS SPECIFIED)	
	x.xxxxx	± ---
	x.xxx	± 0.10
	x.xx	± 0.20
	x.x	± 0.30
ANGULAR	± ---	

TITLE
USB TYPE C FEMALE 16PIN
SMT TYPE H=5.90mm(IP-X7)

DWG.NO.
CF273-16-68

SHEET NO.
1 OF 2

DIMENSION STYLE
MM ONLY

DESIGN UNITS
METRIC

SCALE
1:1

CHECKED BY
JAY


DATE
2021.08.24

APPROVED BY
JACKY

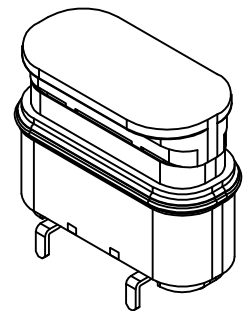
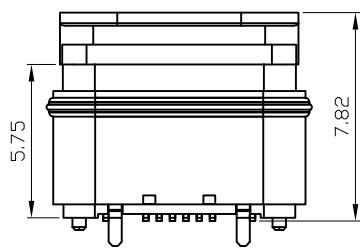
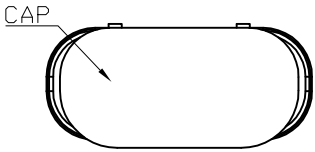
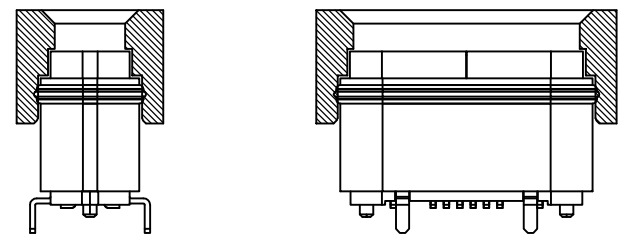
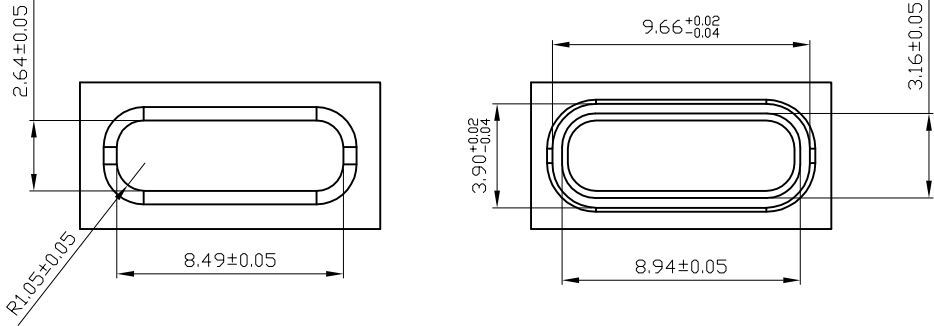
DATE
2021.08.24

THIRD ANGLE
PROJECTION

10 9 8 7 6 5 4 3 2 1

RoHS Compliant  THIS DRAWING CONTAINS INFORMATION THAT IS PROPRIETARY TO ZDT TECHNOLOGY, AND SHOULD NOT BE USED WITHOUT WRITTEN PERMISSION

REV	ECN No.	DATE	REMARK
A	NEW	2020.09.01	NEW RELEASE
A1	---	2021.08.24	修改图纸与实物相符



PIN ASSIGNMENT			
PIN NUMBER	SIGNAL NAME	PIN NUMBER	SIGNAL NAME
A1	GND	B12	GND
A2	TX1+	B11	RX1+
A3	TX1-	B10	RX1-
A4	VBUS	B9	VBUS
A5	CC1	B8	SBU2
A6	D+	B7	D-
A7	D-	B6	D+
A8	SBU1	B5	CC2
A9	VBUS	B4	VBUS
A10	RX2-	B3	TX2-
A11	RX2+	B2	TX2+
A12	GND	B1	GND

PART NO.: SEE THE PART NUMBER CODE		ZDT 深圳市中科兴达科技有限公司 SHENZHEN ZDT TECHNOLOGY CO., LTD		DRAWN BY SAM	DATE 2021.08.24
GENERAL TOLERANCES (UNLESS SPECIFIED)		TITLE USB TYPE C FEMALE 16PIN SMT TYPE H=5.90mm(IP-X7)		CHECKED BY JAY	DATE 2021.08.24
QUALITY SYMBOL		DWG.NO. CF273-16-68	SHEET NO. 2 OF 2	APPROVED BY JACKY	DATE 2021.08.24
0	x.xxxx ± ---	DIMENSION STYLE MM ONLY	DESIGN UNITS METRIC	THIRD ANGLE PROJECTION	
0	x.xxx ± 0.10	SCALE 1:1		frame size: A4	
0	x.xx ± 0.20				
0	x.x ± 0.30				
0	ANGULAR ± ---°				