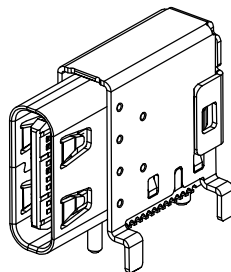
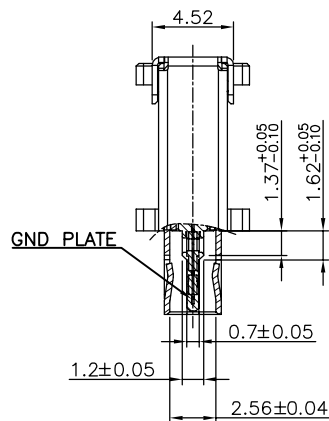
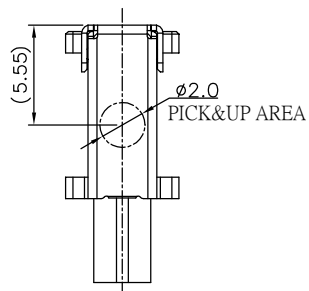


RoHS Compliant

THIS DRAWING CONTAINS INFORMATION THAT IS PROPRIETARY TO ZDT TECHNOLOGY, AND SHOULD NOT BE USED WITHOUT WRITTEN PERMISSION

REV	ECN No.	DATE	REMARK
A	NEW	2020.12.15	NEW RELEASE



**MATERIALS**

- HOUSING : LCP (UL 94V-0), BLACK.
- TERMINAL : COPPER ALLOY, GOLD PLATED ON CONTACT AREA. GOLD FLASH PLATING ON SOLDER TAIL. NICKEL UNDERPLATED OVER ALL.
- MID PLATE : STAINLESS STEEL.
- SHELL : STAINLESS STEEL, NICKEL PLATING.

**SPECIFICATION**

- CURRENT RATING : 5.0A FOR Vbus PIN, 1.25A FOR Vconn PIN, 0.25A FOR OTHER PINS.
- CONTACT RESISTANCE : 40mΩ.
- INSULATION RESISTANCE : 100MΩ MIN.
- DIELECTRIC WITHSTANDING VOLTAGE : 100 VAC MIN.
- OPERATING TEMPERATURE : -40°C TO +85°C.
- MATING FORCE : 5~20N.
- UNMATING FORCE : 8~20N.
- DURABILITY : 10,000 CYCLES.
- RECOMMENDED PROCESS : THE PEAK TEMPERATURE ON THE BOARD SHALL MAINTAIN 260°C.

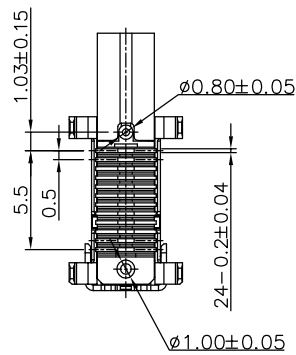
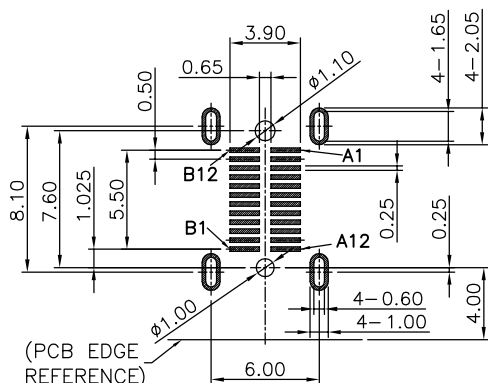
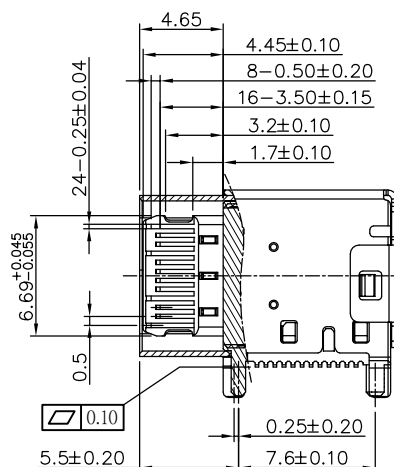
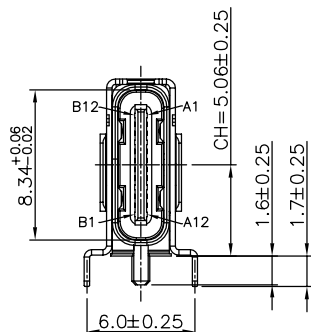
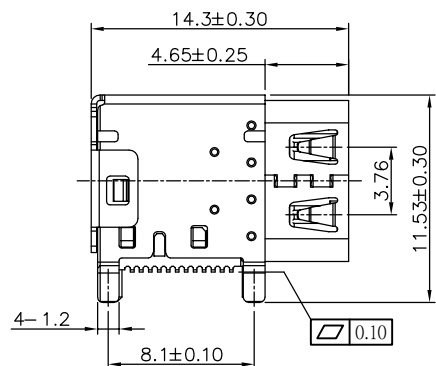
10. PART NUMBER CODE: (产品料号)

CF290-24 X X XX R - F5  
(1)(2)(3)(4)

- HOUSING MATERIAL: L:LCP
- HOUSING COLOR: B:BLACK
- CONTACTS PLATED: 11:接触镀金1u"其它GF
- PACKING OPTIONS R:TAPE & REEL

**PIN ASSIGNMENT:**

PIN	Signal Name	PIN	Signal Name
A1	GND	B12	GND
A2	SSTxp1	B11	SSRXp1
A3	SSTxn1	B10	SSRXn1
A4	Vbus	B9	Vbus
A5	CC1	B8	SBU2
A6	Dp1	B7	DN2
A7	Dn1	B6	DP2
A8	SBU1	B5	CC2
A9	Vbus	B4	Vbus
A10	SSRXn2	B3	SSTXn2
A11	SSRXp2	B2	SSTXp2
A12	GND	B1	GND



RECOMMENDED P.C.B LAYOUT  
TOLERANCE ± 0.05mm (TOP VIEW)

PART NO.:  
SEE THE PART NUMBER CODE

**ZDT** 深圳市中科兴达科技有限公司  
SHENZHEN ZDT TECHNOLOGY CO., LTD

DRAWN BY: SAM  
DATE: 2020.12.15

QUALITY SYMBOL	0	GENERAL TOLERANCES (UNLESS SPECIFIED)
	x.xxxxx	± ---
	x.xxx	± 0.10
	x.xx	± 0.20
	x.x	± 0.30
▲	ANGULAR	± ---°

TITLE: USB TYPE-C 24PIN FEMALE UPRIGHT TYPE, GEN2		DWG. NO.: CF290-24-F5		SHEET NO.: 1 OF 1	
DIMENSION STYLE: MM ONLY		DESIGN UNITS: METRIC		SCALE: 1:1	

CHECKED BY: JAY  
DATE: 2020.12.15

APPROVED BY: JACKY  
DATE: 2020.12.15

THIRD ANGLE PROJECTION

frame size: A4