

RoHS Compliant

THIS DRAWING CONTAINS INFORMATION THAT IS PROPRIETARY TO ZDT TECHNOLOGY. AND SHOULD NOT BE USED WITHOUT WRITTEN PERMISSION

REV	ECN No.	DATE	REMARK
A	NEW	2020.12.15	NEW RELEASE

NOTES/注释:

- MATERIAL/材料: **SEE TABLE/见下表**
- GENERAL SPECIFICATION/通用特性:
 - COPLANARITY/共面度: **0.10 Max.**
 - CURRENT RATING: 5A / 额定电流: 5安培
 - CONTACT RESISTANCE: 40mΩ MAX (INITIAL).
INSULATION RESISTANCE: 100MΩ Min
接触电阻: 40毫欧最大(初始值) / 绝缘电阻: 100MΩ Min
 - DIELECTRIC WITHSTANDING VOLTAGE: 100 VAC
耐电压: 100伏交流
- MECHANICAL CHARACTERISTICS:
 - INSERTION FORCE: 5~20N EXTRACTION FORCE: 8~20N
AFTER DURABILITY EXTRACTION FORCE: 6~20N
力学特性: 初始插入力: **5~20N** 拔出力: **8~20N**
耐久后拔出力: **6~20N**

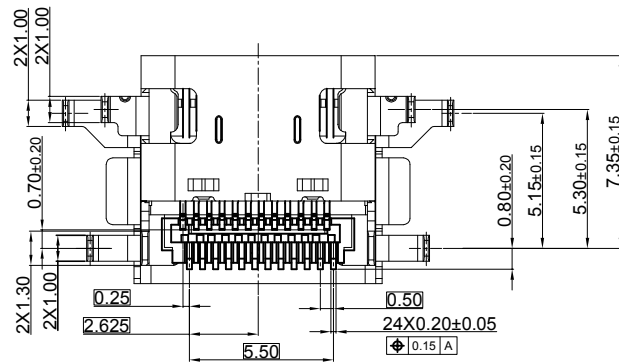
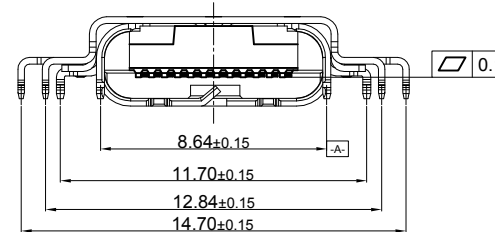
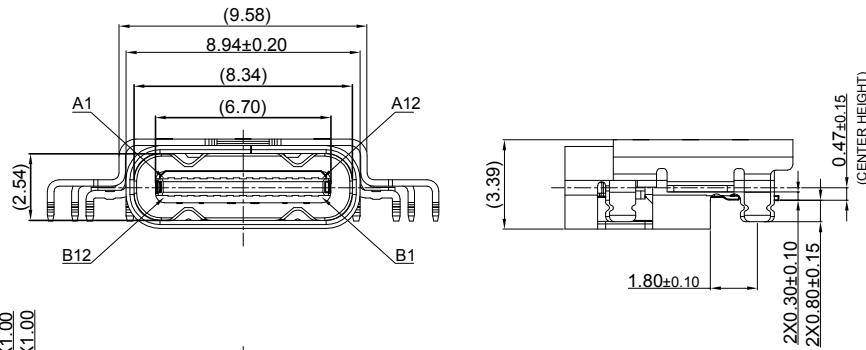
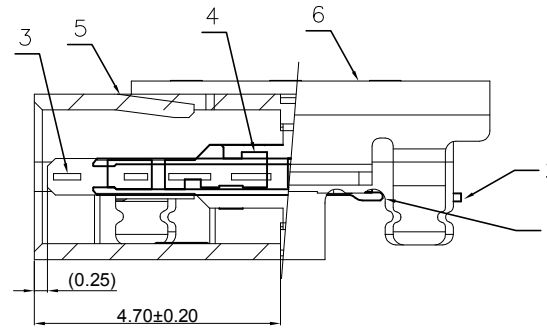
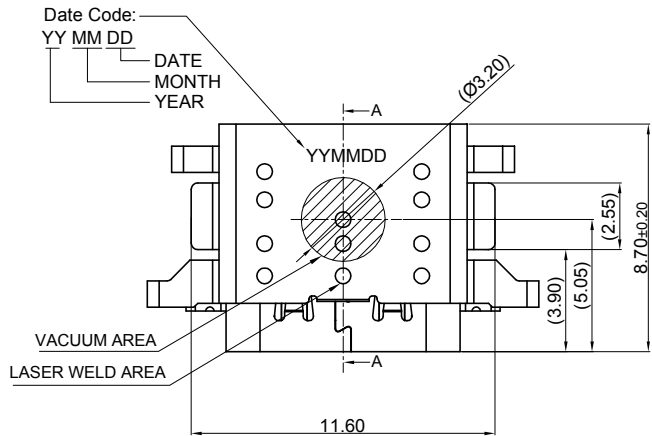
3.PART NUMBER CODE:

CF3 24 - 014 S X B XX R
(1) (2) (3)(4)(5) (6)

- 产品形态:
3:沉板型
- Pin No.:
24:24Pin
- HOUSING MATERIALS:
C:PA9T
- HOUSING COLOR:
B:BLACK
- CONTACTS PLATED:
12:接触镀金3u", 其它GF
- PACKING OPTIONS
R:TAPE & REEL

6	OUT SHELL	1	SUS304	NICKEL PLATING	0.25mm	
5	INT SHELL	1	SUS304	NICKEL PLATING	0.3mm	
4	MAIN HOUSING	1	PART HF 30%镀锌, UL94 V-0, 黑色	-	COLOR:BLACK	
3	MID PLATE	1	SUS301	-	0.15mm	
2	BOTTOM TERMINAL	1	C18140	MATING SIDE:SEE PART NO; SOLDER TAIL:GOLD FLASH, 30u" NICKEL OVERALL	0.12mm	
1	TOP TERMINAL	1	C18140	-	0.12mm	
	ITEM	DESCRIPTION	QTY	MATERIAL	FINISH	REMARK

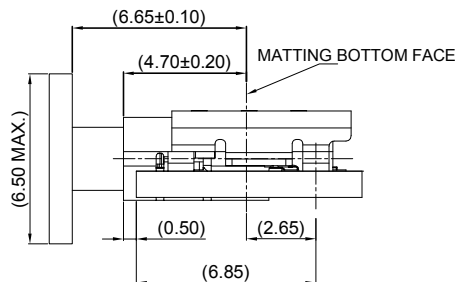
PART NO.: SEE THE PART NUMBER CODE		ZDT 深圳市中科兴达科技有限公司 SHENZHEN ZDT TECHNOLOGY CO., LTD		DRAWN BY SAM	DATE 2020.12.15	
QUALITY SYMBOL 0 ∇ = 0	GENERAL TOLERANCES (UNLESS SPECIFIED)		TITLE USB 4.0 Type C 24P母座无后盖双壳 沉板双贴SMT cl=0.47mm,L=8.7mm			
	x,xxxx	± ---	DWG.NO. CF324-015	SHEET NO. 1 OF 3	CHECKED BY JAY	DATE 2020.12.15
	x,xxx	± 0.10			APPROVED BY JACKY	DATE 2020.12.15
	x,xx	± 0.20	DIMENSION STYLE MM ONLY	DESIGN UNITS METRIC	SCALE 1:1	
x,x	± 0.30	THIRD ANGLE PROJECTION				
ANGULAR	± ---	frame size: A4				



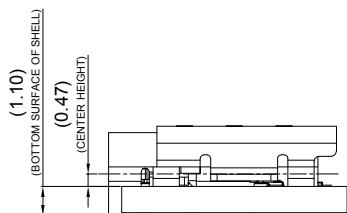
RoHS Compliant

THIS DRAWING CONTAINS INFORMATION THAT IS PROPRIETARY TO ZDT TECHNOLOGY. AND SHOULD NOT BE USED WITHOUT WRITTEN PERMISSION

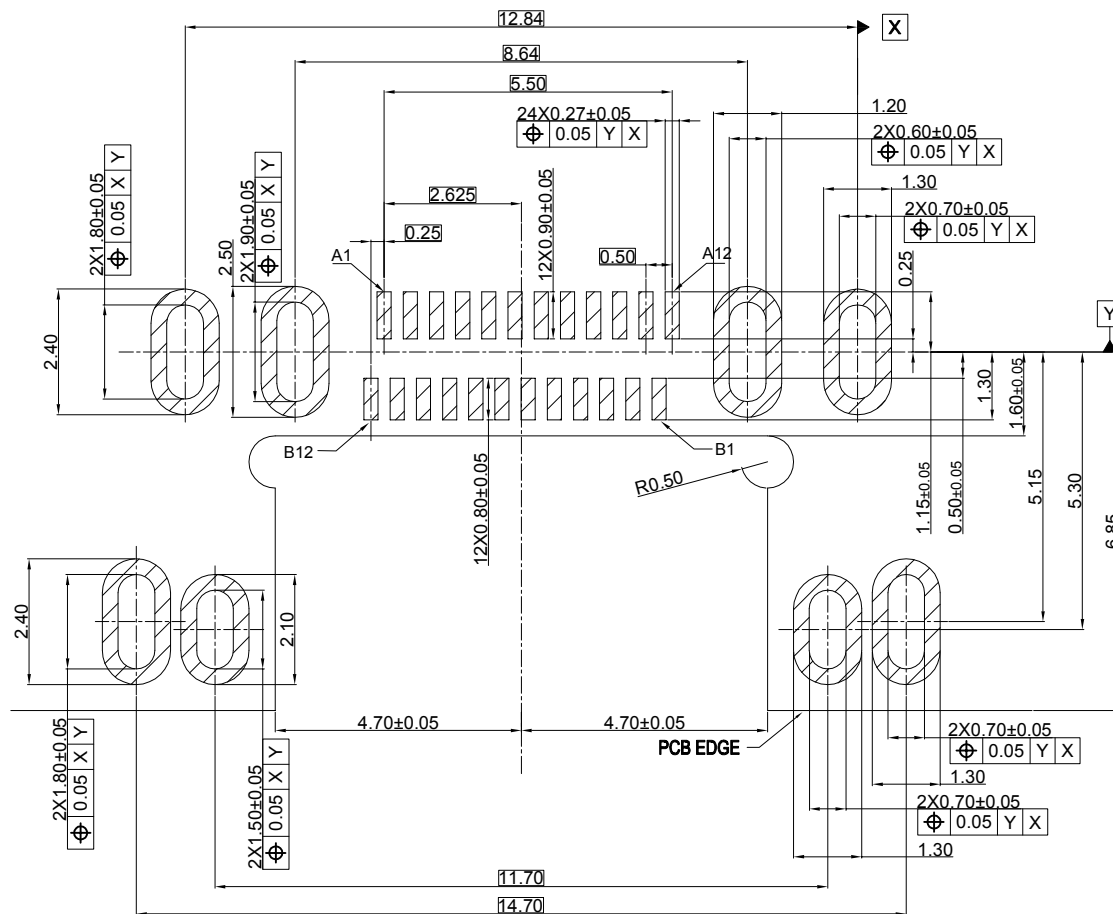
REV	ECN No.	DATE	REMARK
A	NEW	2020.12.15	NEW RELEASE



MATED CONDITION(REF.)



MOUNTING CONDITION(REF.)



Recommended PCB Layout(Top View)/推荐的PCB布局(前视图)
General Tolerances:±0.05/一般公差:±0.05


USB TYPE-C PIN ASSIGNMENTS

PIN NUMBER	SIGNAL NAME	PIN NUMBER	SIGNAL NAME
A1	GND	B12	GND
A2	SSTXp1	B11	SSRXp1
A3	SSTXn1	B10	SSRXn1
A4	VBUS	B9	VBUS
A5	CC1	B8	SBU2
A6	Dp1	B7	Dn2
A7	Dn1	B6	Dp2
A8	SBU1	B5	CC2
A9	VBUS	B4	VBUS
A10	SSRXn2	B3	SSTXn2
A11	SSRXp2	B2	SSTXp2
A12	GND	B1	GND

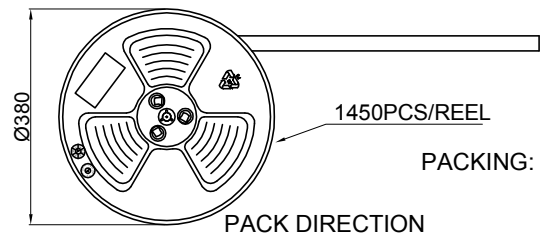
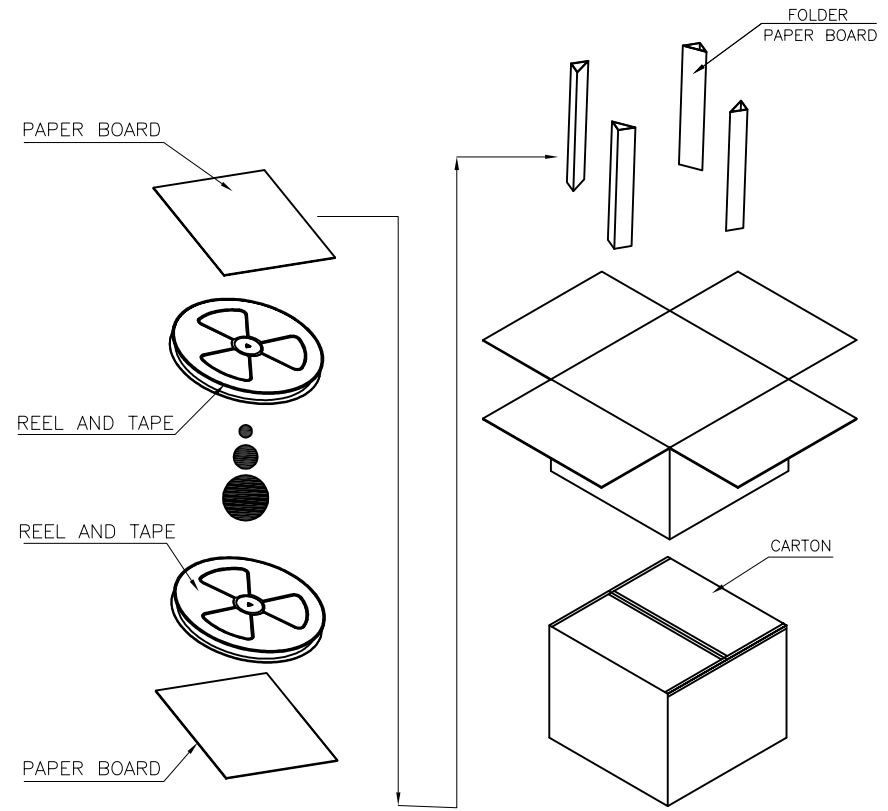
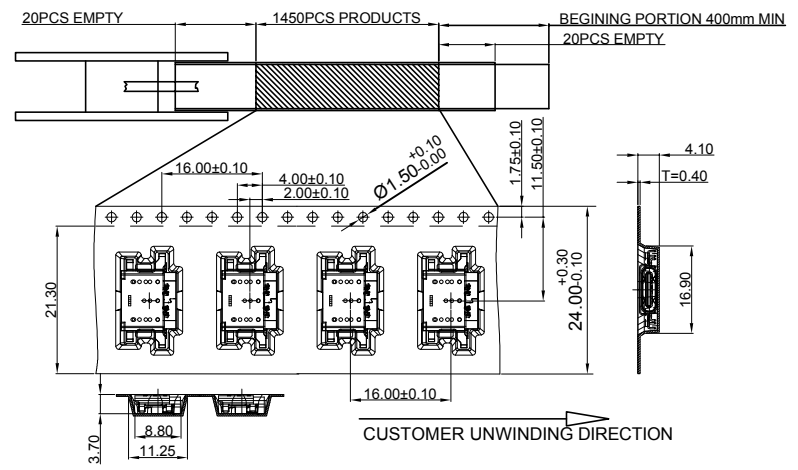
PART NO.: SEE THE PART NUMBER CODE		深圳市中科兴达科技有限公司 SHENZHEN ZDT TECHNOLOGY CO., LTD		DRAWN BY SAM	DATE 2020.12.15
QUALITY SYMBOL 0 ∇ = 0		GENERAL TOLERANCES (UNLESS SPECIFIED) x.xxxx ± --- x.xxx ± 0.10 x.xx ± 0.20 x.x ± 0.30 ANGULAR ± ---°		CHECKED BY JAY	
TITLE USB 4.0 Type C 24P母座无后盖双壳 沉板双贴SMT cl=0.47mm,L=8.7mm		DWG.NO. CF324-015		DATE 2020.12.15	
DIMENSION STYLE MM ONLY		DESIGN UNITS METRIC		APPROVED BY JACKY	
SCALE 1:1		SHEET NO. 2 OF 3		DATE 2020.12.15	
THIRD ANGLE PROJECTION					

frame size: A4

10 9 8 7 6 5 4 3 2 1

RoHS Compliant  THIS DRAWING CONTAINS INFORMATION THAT IS PROPRIETARY TO ZDT TECHNOLOGY. AND SHOULD NOT BE USED WITHOUT WRITTEN PERMISSION

REV	ECN No.	DATE	REMARK
A	NEW	2020.12.15	NEW RELEASE



PACKING: 1. 1450 PCS/REEL.
2. 10 REEL/Carton

	REEL	CARTON
CONNECTOR (PCS)	1200	12000

PART NO.: SEE THE PART NUMBER CODE		ZDT 深圳市中科兴达科技有限公司 SHENZHEN ZDT TECHNOLOGY CO., LTD		DRAWN BY SAM	DATE 2020.12.15
QUALITY SYMBOL 0 ∇ 0		GENERAL TOLERANCES (UNLESS SPECIFIED)		CHECKED BY JAY	DATE 2020.12.15
		x:xxxx ± --		APPROVED BY JACKY	
		x:xxx ± 0.10		DATE 2020.12.15	
		x:xx ± 0.20		SHEET NO. 3 OF 3	
		x:x ± 0.30		SCALE 1:1	
		ANGULAR ± --		THIRD ANGLE PROJECTION	
		DWG.NO. CF324-015	DESIGN UNITS METRIC	DIMENSION STYLE MM ONLY	
				frame size: A4	