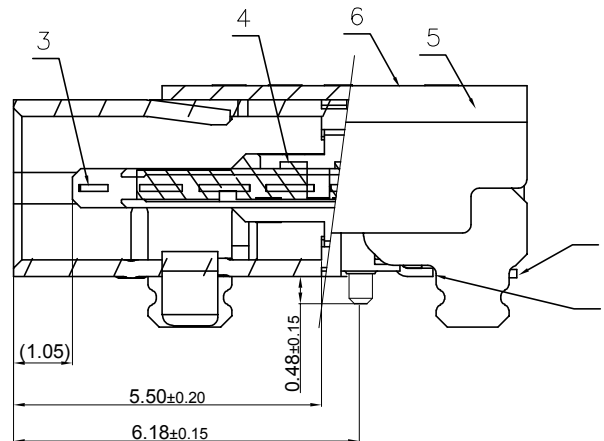
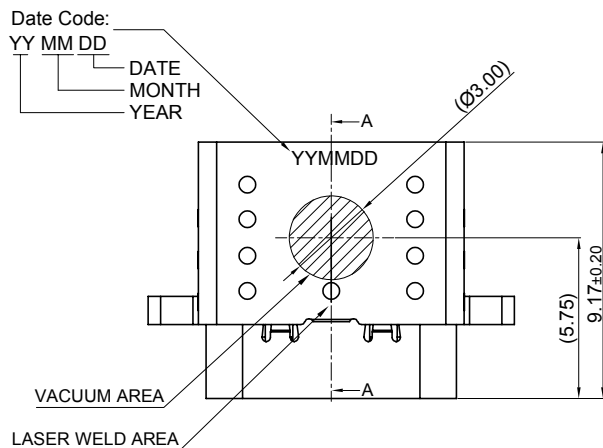


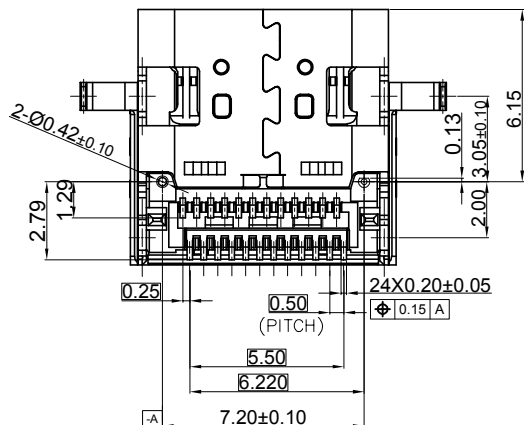
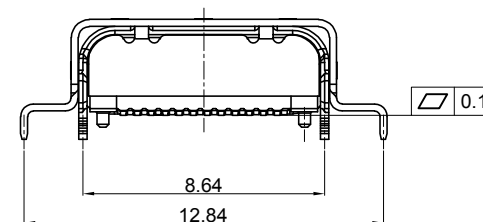
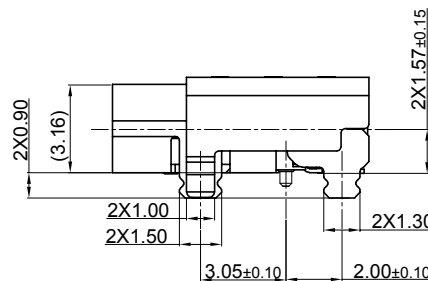
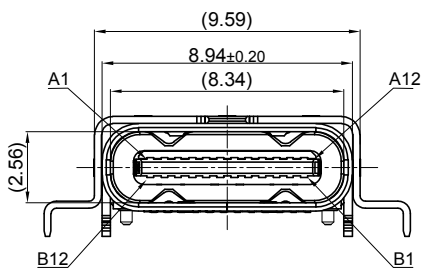
RoHS Compliant

THIS DRAWING CONTAINS INFORMATION THAT IS PROPRIETARY TO ZDT TECHNOLOGY, AND SHOULD NOT BE USED WITHOUT WRITTEN PERMISSION

REV	ECN No.	DATE	REMARK
A	NEW	2020.12.15	NEW RELEASE
B	----	2023.08.30	图框变更



SECTION A-A(剖视图A-A)
SCALE 2:1 (比例 2:1)



ITEM	DESCRIPTION	QTY	MATERIAL	FINISH	REMARK
6	OUT SHELL	1	SUS304	NICKEL PLATING	0.25mm
5	INT SHELL	1	SUS304	NICKEL PLATING	0.3mm
4	MAIN HOUSING	1	PART HF 30%镀锌, UL94 V-0, 黑色	-	COLOR:BLACK
3	MID PLATE	1	SUS301	-	0.15mm
2	BOTTOM TERMINAL	1	C18140	MATING SIDE:SEE PART NO; SOLDER TAIL:GOLD FLASH, 90° NICKEL OVERALL.	0.12mm
1	TOP TERMINAL	1	C18140	-	0.12mm

PART NO.: SEE THE PART NUMBER CODE

ZDT 深圳市中科兴达科技有限公司
SHENZHEN ZDT TECHNOLOGY CO., LTD

TITLE: USB 4.0 Type C 24P母座双壳
双贴SMT板上平贴, L=9.17锡脚0.9

THIRD ANGLE PROJECTION

UNIT: mm

SCALE: 1:1

SHEET NO. 1 OF 3

DWG.NO. CF224-012

DRAWN BY: SAM

CHECKED BY: JAY

APPROVED BY: JACKY

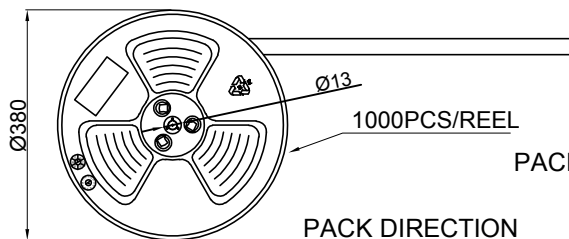
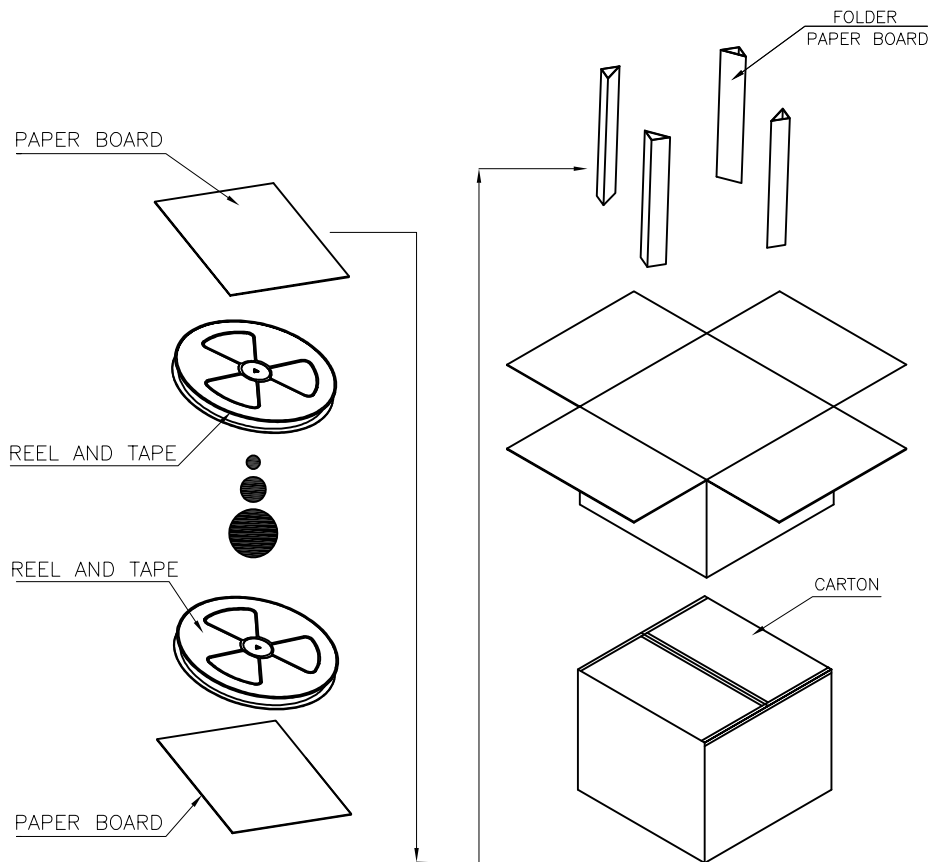
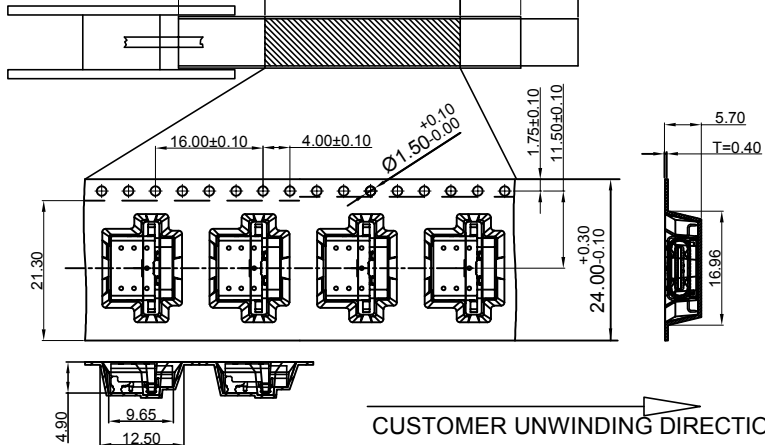
frame size: A4

RoHS Compliant

THIS DRAWING CONTAINS INFORMATION THAT IS PROPRIETARY TO ZDT TECHNOLOGY, AND SHOULD NOT BE USED WITHOUT WRITTEN PERMISSION

REV	ECN No.	DATE	REMARK
A	NEW	2020.12.15	NEW RELEASE
B	----	2023.08.30	图框变更

20PCS EMPTY 1000PCS PRODUCTS BEGINNING PORTION 400mm MIN
20PCS EMPTY



PACKING: 1. 1000 PCS/REEL.
2. 10 REEL/Carton

	REEL	CARTON
CONNECTOR (PCS)	1000	10000

PART NO.: SEE THE PART NUMBER CODE	
QUALITY SYMBOL	GENERAL TOLERANCES
	x.xxxx ± ---
	x.xxx ± 0.10
	x.xx ± 0.25
	x.x ± 0.30
ANGULAR ± --'	

ZDT 深圳市中科兴达科技有限公司 SHENZHEN ZDT TECHNOLOGY CO., LTD			
DRAWN BY: SAM			
CHECKED BY: JAY			
APPROVED BY: JACKY			
DWG.NO. CF224-012			
TITLE	THIRD ANGLE PROJECTION	UNIT mm	SCALE 1:1
USB 4.0 Type C 24P母座双壳 双贴SMT 板上平贴, L=9.17锡脚0.9		SHEET NO. 3 OF 3	

frame size: A4
