

RoHS Compliant

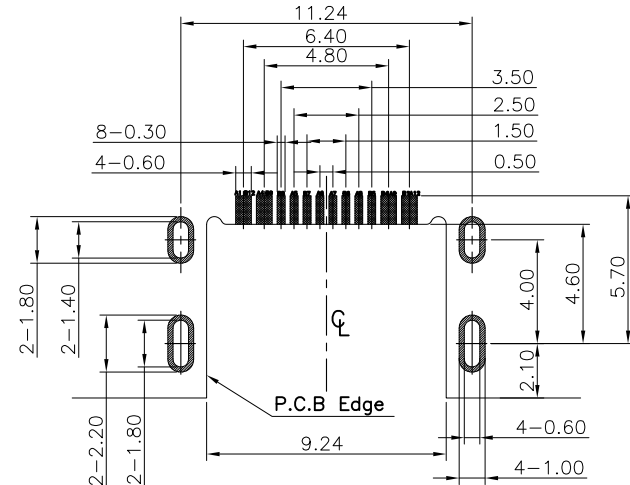
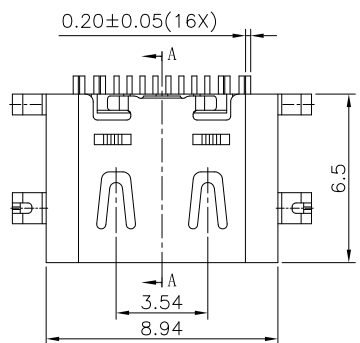
THIS DRAWING CONTAINS INFORMATION THAT IS PROPRIETARY TO ZDT TECHNOLOGY, AND SHOULD NOT BE USED WITHOUT WRITTEN PERMISSION

REV	ECN No.	DATE	REMARK
A0	NEW	2019.11.20	NEW RELEASE
B	ECN202105002	2021.05.06	增加真空包装料号规格

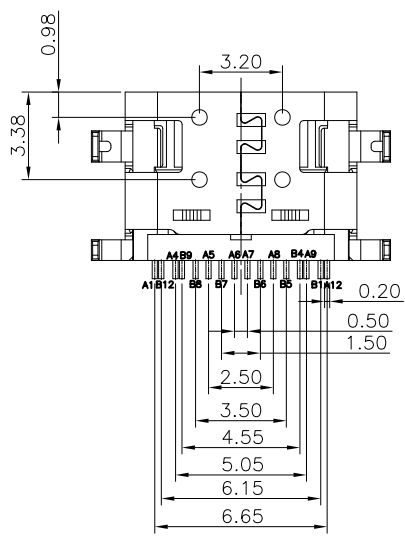
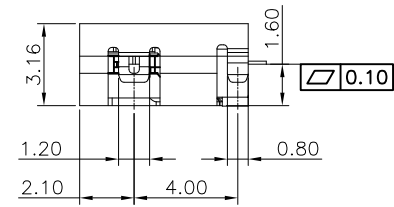
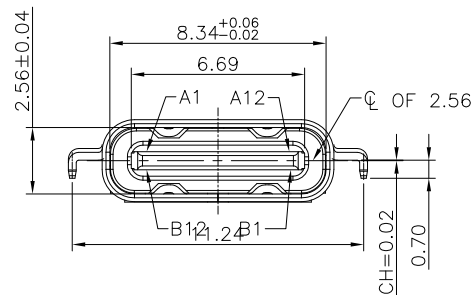
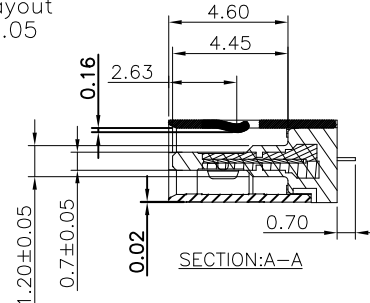
NOTE:

- Electrical Characteristics:
 - 1-1: Current Rating: 5A For Pin(A4,A9,B4,B9)
1.25A For Pin(B5)
0.25A For Others Pin
 - 1-2: VOLTAGE RATING:5.0V
 - 1-3: Insulation Resistance: 100MΩ Min.
 - 1-4: Contact Resistance:
VBUS & GND PINS AND OTHER PINS: 40mΩ/PIN MAX.
SHIELD:50mΩ/MAX.
SHIELD:LLCR MAX. CHANGE OF ALL PINS: 10mΩ.
 - 1-5: Dielectric Withstanding Voltage: 100V/AC 1Minute
- Mechanical Characteristics:
 - Insertion Force: 5~20N
 - Extraction Force: Initial: 8~20N
After durability: 6~20N
 - Durability :10000 Cycles
- Operating Temperature: -25°C TO +85°C
- PART NUMBER CODE:(产品料号)

序号	PART NO.	REMARKS	PACKING
1	CF178-16SLB12R-01	LCP黑色接触镀金3u*其它GF	TAPE & REEL
2	CF178-16SCB12R-01	PA9T黑色接触镀金3u*其它GF	TAPE & REEL
3	CF178-16SLB15R-01	LCP黑色接触镀金30u*其它GF	TAPE & REEL
4	CF178-16SLB12VR-01	LCP黑色接触镀金3u*其它GF	TAPE & REEL+真空包装
5	CF178-16SLW12R-01	LCP白色接触镀金3u*其它GF	TAPE & REEL



Recommended PCB Layout
General Tolerance ±0.05



PIN ASSIGNMENT			
PIN NUMBER	SIGNAL NAME	PIN NUMBER	SIGNAL NAME
A1	GND	B12	GND
A2	TX2+	B11	RX1+
A3	TX2-	B10	RX1-
A4	VBUS	B9	VBUS
A5	CC1	B8	SBU2
A6	D+	B7	D-
A7	D-	B6	D+
A8	SBU1	B5	CC2
A9	VBUS	B4	VBUS
A10	RX2+	B3	TX2+
A11	RX2-	B2	TX2-
A12	GND	B1	GND

TYPE:

TYPE C协会认证TID NO. 3379

NO.	DESCRIPTION	MATERIAL	REMARKS	QTY
4	SHELL	SUS304 1/2H T=0.30mm	NICKEL 30u" MIN PLATING	1PCS
3	SHIELDING PLATE	SUS301 3/4H T=0.15mm	---	1PCS
2	CONTACT	C18400-H T=0.12mm	Ni 50u" MIN. UNDER PLATED OVER ALL Au PLATED ON THE FUNCTIONAL AREA OF CONTACT. PLATING G/F OF THE SOLDER AREA	2SET
1	HOUSING	LCP/PA9T UL94V-0	BLACK	1PCS

PART NO.:
SEE THE PART NUMBER CODE

ZDT 深圳市中科兴达科技有限公司
SHENZHEN ZDT TECHNOLOGY CO., LTD

DRAWN BY: SAM DATE: 2021.05.06

QUALITY SYMBOL	GENERAL TOLERANCES (UNLESS SPECIFIED)
X.XXXXX	± ---
X.XXX	± 0.10
X.XX	± 0.20
X.X	± 0.30
ANGULAR	± ---°

TITLE: USB CF 16PIN (L=6.5) 沉板1.6外壳带弹片款
DWG.NO. CF178-16-01 SHEET NO. 1 OF 1
DIMENSION STYLE: MM ONLY DESIGN UNITS: METRIC SCALE: 1:1

CHECKED BY: JAY DATE: 2021.05.06
APPROVED BY: JACKY DATE: 2021.05.06
THIRD ANGLE PROJECTION

frame size: A4