

REV	ECN No.	DATE	REMARK
A0	NEW	2019.11.21	NEW RELEASE

TYPE C协会认证TID NO. 5304

NOTE:

1.MATERIAL SPECIFICATION:
 1-1.HOUSING:HIGH TEMPERATURE RESISTANT PLASTIC(LCP), UL94 V-0. COLOR:BLACK.
 1-2.CONTACTS:COPPER ALLOY(C18150)T=0.12mm
 1-3.MID PLATE: STAINLESS STEEL(SUS301)T=0.15mm
 1-4.SHELL: STAINLESS STEEL(SUS304)T=0.30mm

2.PLATING SPECIFICATION:
 2-1.CONTACTS:
 Ni 50u" MIN. UNDER PLATED OVER ALL.
 Au PLATED ON THE MATING AREA OF CONTACT.
 (GOLD PLATING THICKNESS FOLLOW THE P/N)
 G/F PLATED ON THE SOLDER AREA.
 2-2.SHELL:
 Ni 30u" MIN. UNDER PLATED OVER ALL.
 2-3.MID PLATE:
 CLEAR ONLY

3.MECHANICAL PERFORMANCE,
 3-1.INSERTION FORCE: 0.5~2.0kgf.
 3-2.EXTRACTION FORCE: 0.8kgf~2.0kgf.
 0.6kgf~2.0kgf. AFTER DURABILITY TEST.
 3-3.DURABILITY: 10000 CYCLES.

4.ELECTRICAL PERFORMANCE,
 4-1. CURRENT RATING:5.0A
 VOLTAGE RATING:5.0V
 4-2. LLCR:
 VBUS & GND PINS AND OTHER PINS: 40mΩ/PIN MAX.
 SHIELD: 50mΩ/MAX.
 LLCR MAX. CHANGE OF ALL PINS: 10mΩ.
 4-3.INSULATION RESISTANCE: 100MΩ MIN
 4-4.DIELECTRIC WITHSTAND VOLTAGE,AC 100V FOR 1 MINUTE.

5. ENVIRONMENTAL PERFORMANCE:
 OPERATING TEMPERATURE: -25°C~+85°C.

6.IR REFLOW:
 THE PEAK TEMPERATURE ON THE BOARD SHALL BE MAINTAINED FOR 10 SECONDS AT 260°C.

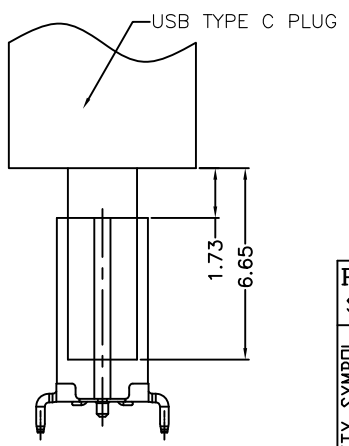
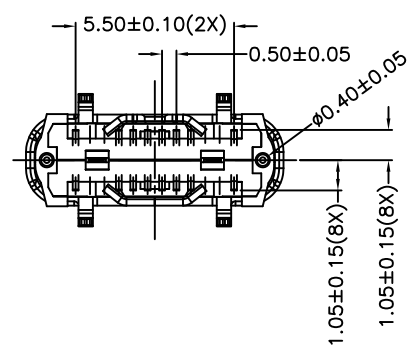
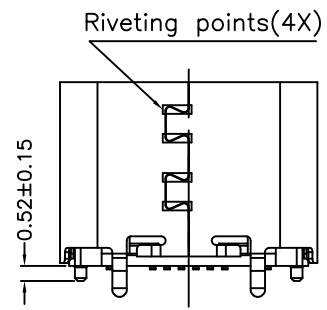
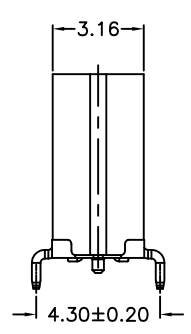
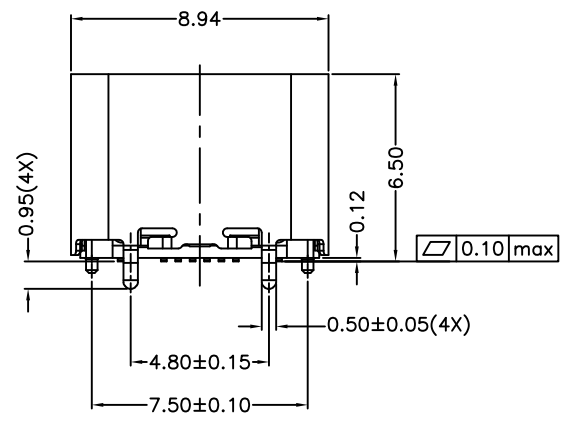
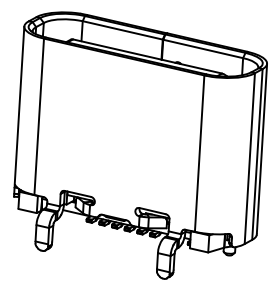
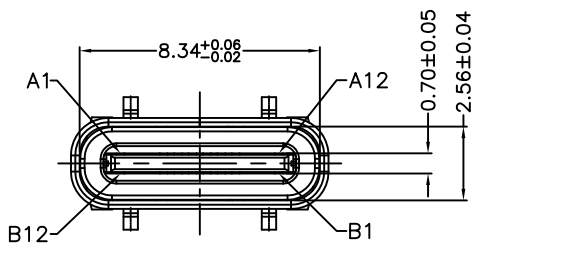
7.符合ROHS & HF要求

8. PART NUMBER CODE:(产品料号)
 CF136-16 X X XX XX - 01
 (1) (2)(3) (4)

(1) HOUSING MATERIAL: (3) CONTACTS PLATED:
 L:LCP 12:接触镀金5u"其它GOLD FLASH
 C:PA9T 13:接触镀金5u"其它GOLD FLASH

(2) HOUSING COLOR: 15:接触镀金30u"其它GOLD FLASH


B:BLACK (4) 包装要求
 O:橙色 R:卷装(常用料)
 VR:卷装+真空包装



FEMALE AND MALE MATCHING DRAWING

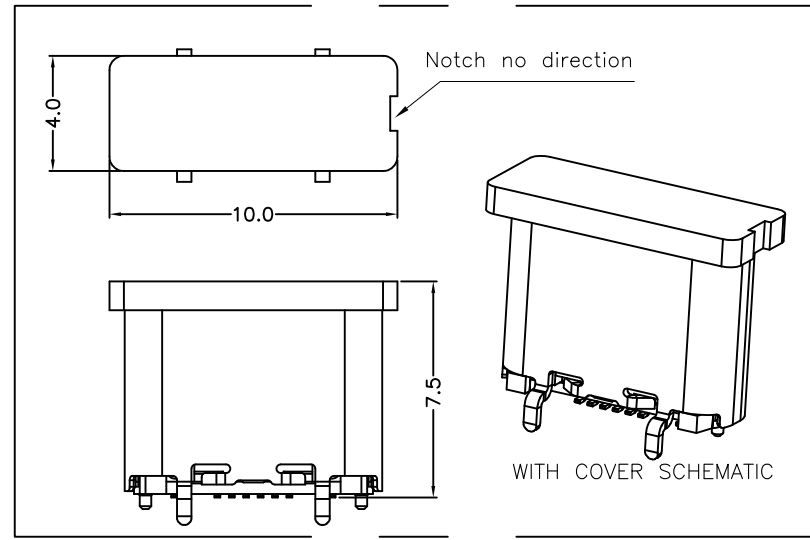
PART NO.: SEE THE PART NUMBER CODE		ZDT 深圳市中科兴达科技有限公司 SHENZHEN ZDT TECHNOLOGY CO., LTD		DRAWN BY SAM	DATE 2019.11.21	
QUALITY SYMBOL 0 0 0 0 0	GENERAL TOLERANCES (UNLESS SPECIFIED)		TITLE USB TYPE C FEMALE 16PIN VERTICAL TYPE SHELL H6.50mm			
	x.xxxxx	± ---	DWG.NO. CF136-16-01	SHEET NO. 1 OF 2	CHECKED BY JAY	DATE 2019.11.21
	x.xxx	± 0.10			APPROVED BY JACKY	DATE 2019.11.21
	x.xx	± 0.25	DIMENSION STYLE MM ONLY			
	x.x	± 0.30	THIRD ANGLE PROJECTION			
ANGULAR	± ---	frame size: A4				

10 9 8 7 6 5 4 3 2 1

RoHS Compliant  THIS DRAWING CONTAINS INFORMATION THAT IS PROPRIETARY TO ZDT TECHNOLOGY, AND SHOULD NOT BE USED WITHOUT WRITTEN PERMISSION

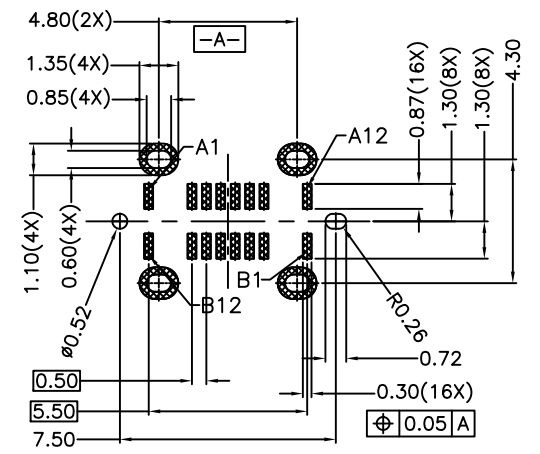
REV	ECN No.	DATE	REMARK
A0	NEW	2019.11.21	NEW RELEASE

F TYPE C协会认证TID NO. 5304




USB TYPE-C PIN ASSIGNMENTS

PIN NUMBER	SIGNAL NAME	PIN NUMBER	SIGNAL NAME
A1	GND	B12	GND
A4	Vbus	B9	Vbus
A5	CC1	B8	SBU2
A6	Dp1	B7	Dn2
A7	Dn1	B6	Dp2
A8	SBU1	B5	CC2
A9	Vbus	B4	Vbus
A12	GND	B1	GND



RECOMMENDED PCB LAYOUT(TOP VIEW)
THICKNESS 0.8±0.10MM;DEFAULT TOLERANCE:±0.05

PART NO.: SEE THE PART NUMBER CODE		 深圳市中科兴达科技有限公司 SHENZHEN ZDT TECHNOLOGY CO., LTD		DRAWN BY SAM	DATE 2019.11.21
GENERAL TOLERANCES (UNLESS SPECIFIED)		TITLE USB TYPE C FEMALE 16PIN VERTICAL TYPE SHELL H6.50mm		CHECKED BY JAY	DATE 2019.11.21
QUALITY SYMBOL	x.xxxx ± ---	DWG.NO. CF136-16-01		APPROVED BY JACKY	DATE 2019.11.21
	x.xxx ± 0.10	SHEET NO. 2 OF 2		THIRD ANGLE PROJECTION	
	x.xx ± 0.25	DIMENSION STYLE MM ONLY	DESIGN UNITS METRIC	SCALE 1:1	
	x.x ± 0.30	frame size: A4			
	ANGULAR ± ---°				