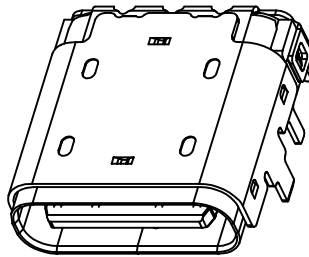
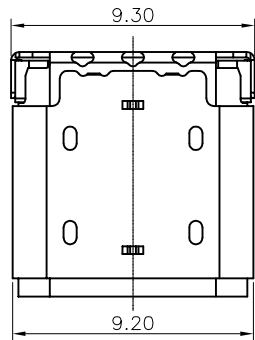
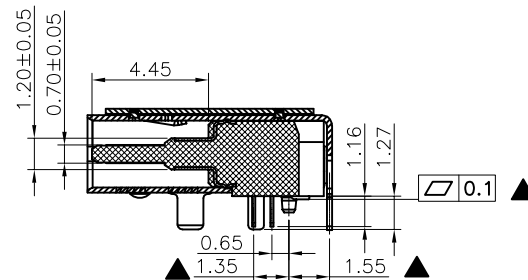
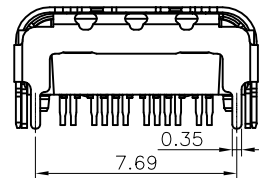
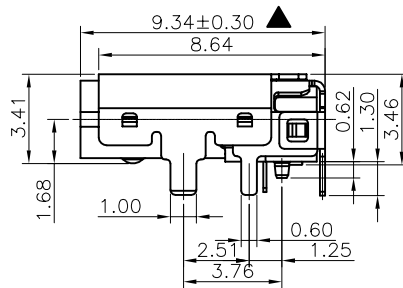
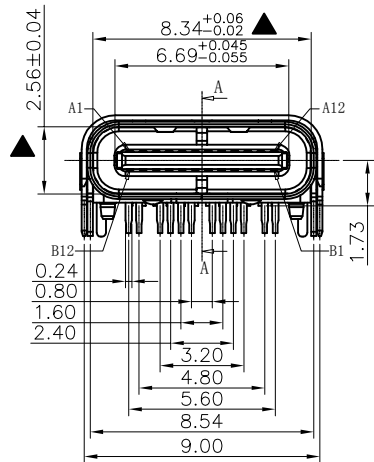


REV	ECN No.	DATE	REMARK
A	NEW	2020.01.03	NEW RELEASE



NOTE:

- MATERIAL SPECIFICATION:**
 - HOUSING:LCP COLOR SEE TABLE 1,UL94 V-0.
 - CONTACTS:COPPER ALLOY
 - MID PLATE&SPRING: STAINLESS STEEL(SUS301)
 - FRONT SHELL&COVER: STAINLESS STEEL(SUS304)
 - PLATING SPECIFICATION:**
 - CONTACTS:
 - Ni 50u" MIN. UNDER PLATED OVER ALL.
 - Au PLATED ON THE FUNCTIONAL AREA OF CONTACT. (GOLD PLATING THICKNESS FOLLOW THE P/N)
 - PLATING SPECIFICATIONS OF THE SOLDER AREA FOLLOW THE P/N
 - FRONT SHELL & COVER:
 - Ni 30u" MIN. UNDER PLATED OVER ALL.
 - MID PLATE & EMI SPRING:
 - CLEAR ONLY
 - MECHANICAL PERFORMANCE,**
 - INSERTION FORCE: 0.5~2.0kgf.
 - REMOVAL FORCE: 0.8kgf~2.0kgf.
 - DURABILITY: 10000 CYCLES.
 - ELECTRICAL PERFORMANCE,**
 - CURRENT RATING:3.0A
VOLTAGE RATING:5.0V
 - LLCR:
 - VBUS & GND PINS AND OTHER PINS: 40mΩ/PIN MAX.
 - SHIELD: 50mΩ/MAX.
 - LLCR MAX. CHANGE OF ALL PINS: 10mΩ.
 - INSULATION RESISTANCE: 100MΩ MIN
 - DIELECTRIC WITHSTAND VOLTAGE,AC 100V FOR 1 MINUTE.
 - ENVIRONMENTAL PERFORMANCE:**
 - OPERATING TEMPERATURE: -25°C~+85°C.
 - IR REFLOW:**
 - THE PEAK TEMPERATURE ON THE BOARD SHALL BE MAINTAINED FOR 10 SECONDS AT 260°C.
- 7.注: 带“▲”号的为重点管控尺寸



SECTION A-A
SCALE 1:1

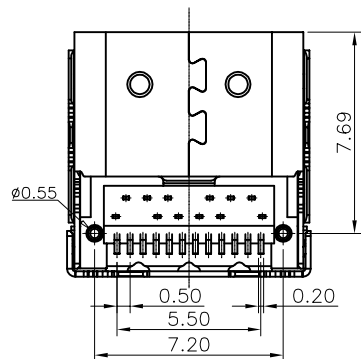
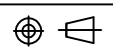


TABLE 1

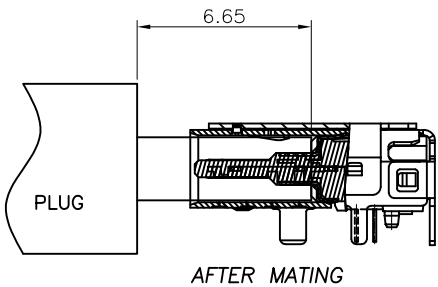
ITEM	P/N	HOUSING COLOR	PLATING	
			MATING AREA	SOLDER AREA
1	CF216-24SLB12R-02	BALCK	Au:3u"	Au:G/F
2	CF216-24SLB15R-02	BALCK	Au:30u"	Au:G/F

PART NO.: SEE THE PART NUMBER CODE		ZDT 深圳市中科兴达科技有限公司 SHENZHEN ZDT TECHNOLOGY CO., LTD		DRAWN BY SAM	DATE 2020.01.03	
QUALITY SYMBOL 0 ∇ 0	GENERAL TOLERANCES (UNLESS SPECIFIED)		TITLE USB CF 24PIN 前插后贴带上铁壳三次成型			
	x.xxxx	± ---	DWG.NO. CF216-24-02	SHEET NO. 1 OF 3	CHECKED BY JAY	DATE 2020.01.03
	x.xxx	± 0.10			APPROVED BY JACKY	DATE 2020.01.03
	x.xx	± 0.20	DIMENSION STYLE MM ONLY	DESIGN UNITS METRIC	SCALE 1:1	 THIRD ANGLE PROJECTION
x.x	± 0.30					
ANGULAR	± ---°					

RoHS Compliant 

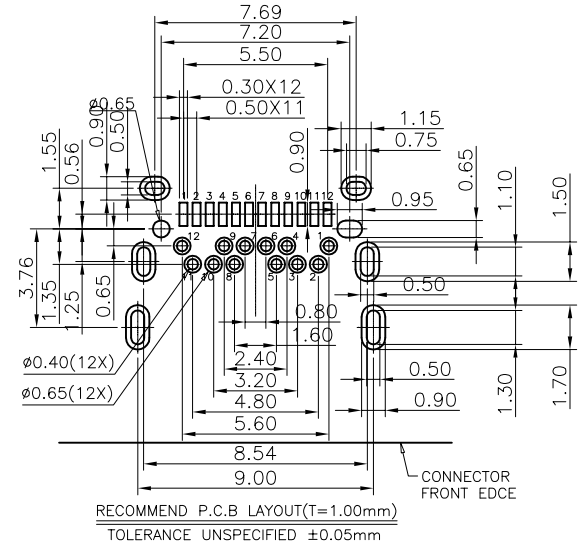
THIS DRAWING CONTAINS INFORMATION THAT IS PROPRIETARY TO ZDT TECHNOLOGY. AND SHOULD NOT BE USED WITHOUT WRITTEN PERMISSION


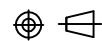
REV	ECN No.	DATE	REMARK
A	NEW	2020.01.03	NEW RELEASE



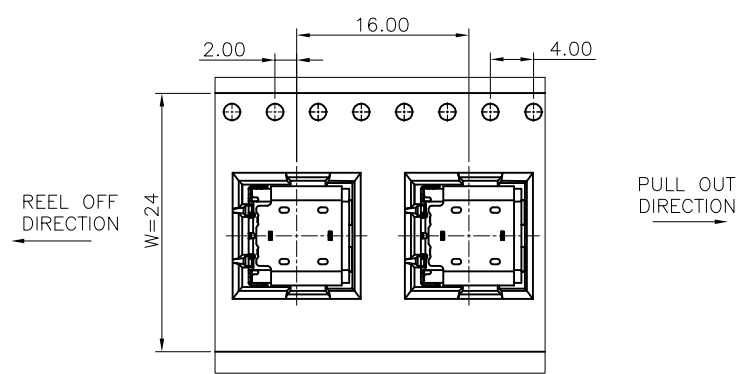
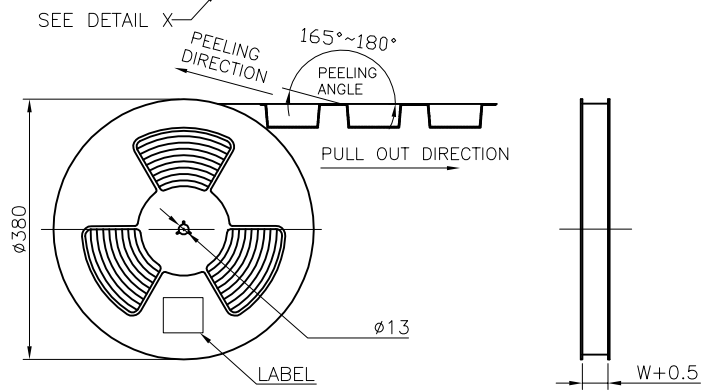
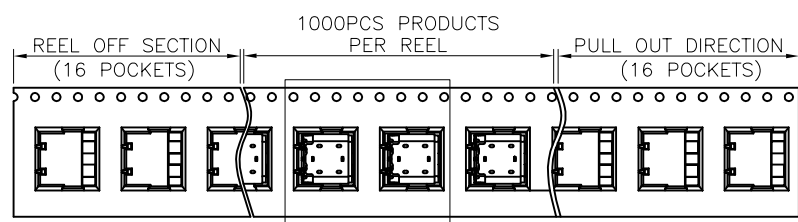
USB TYPE-C PIN ASSIGNMENTS

PIN NUMBER	SIGNAL NAME	PIN NUMBER	SIGNAL NAME
A1	GND	B12	GND
A2	SSTXp1	B11	SSRXp1
A3	SSTXn1	B10	SSRXn1
A4	Vbus	B9	Vbus
A5	CC1	B8	SBU2
A6	Dp1	B7	Dn2
A7	Dn1	B6	Dp2
A8	SBU1	B5	CC2
A9	Vbus	B4	Vbus
A10	SSRXn2	B3	SSTXn2
A11	SSRXp2	B2	SSTXp2
A12	GND	B1	GND

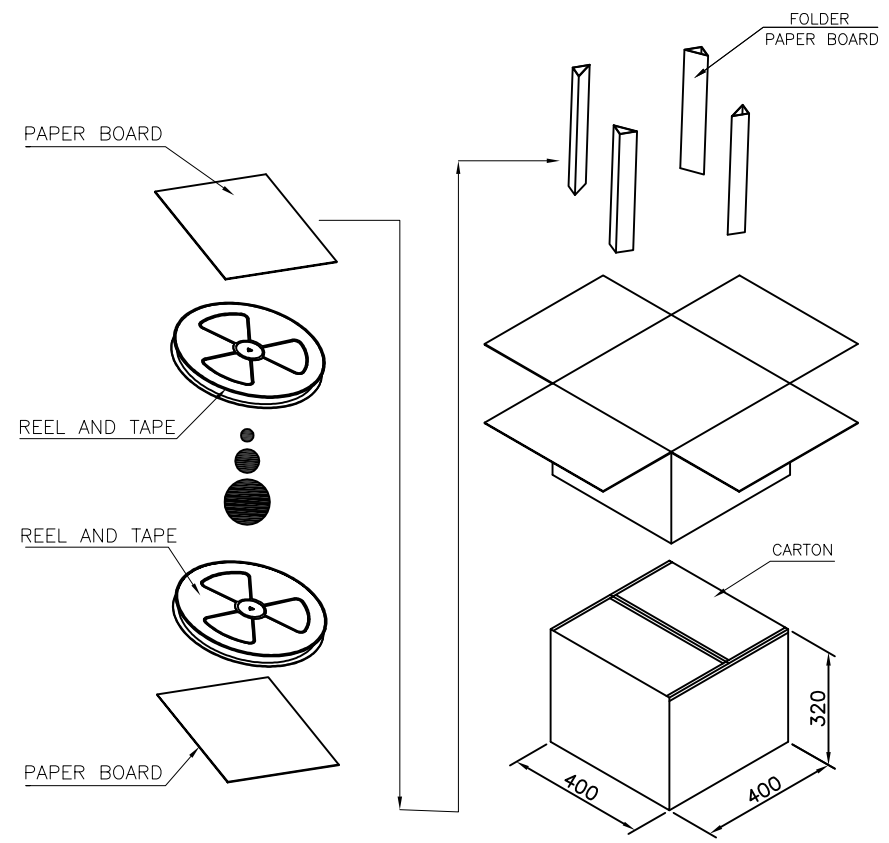


PART NO.: SEE THE PART NUMBER CODE		 深圳市中科兴达科技有限公司 SHENZHEN ZDT TECHNOLOGY CO., LTD		DRAWN BY SAM	DATE 2020.01.03	
QUALITY SYMBOL 0 ∇ 0	GENERAL TOLERANCES (UNLESS SPECIFIED)		TITLE USB CF 24PIN 前插后贴带上铁壳三次成型			
	x.xxxx	± ---	DWG.NO. CF216-24-02	SHEET NO. 2 OF 3	CHECKED BY JAY	DATE 2020.01.03
	x.xxx	± 0.10			APPROVED BY JACKY	DATE 2020.01.03
	x.xx	± 0.20	DIMENSION STYLE MM ONLY	DESIGN UNITS METRIC	SCALE 1:1	
	x.x	± 0.30	 THIRD ANGLE PROJECTION			
ANGULAR	± ---°					

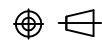
REV	ECN No.	DATE	REMARK
A	NEW	2020.01.03	NEW RELEASE



DETAIL X
SCALE 2:1



	REEL/TRAY	CARTON
CONNECTOR (PCS)	1000	10000

PART NO.: SEE THE PART NUMBER CODE		ZDT 深圳市中兴科达科技有限公司 SHENZHEN ZDT TECHNOLOGY CO., LTD		DRAWN BY SAM	DATE 2020.01.03	
QUALITY SYMBOL 0 ∇ 0	GENERAL TOLERANCES (UNLESS SPECIFIED)		TITLE USB CF 24PIN 前插后贴带上铁壳三次成型			
	x.xxxx	± ---	DWG.NO. CF216-24-02	SHEET NO. 3 OF 3	CHECKED BY JAY	DATE 2020.01.03
	x.xxx	± 0.10			APPROVED BY JACKY	DATE 2020.01.03
	x.xx	± 0.20	DIMENSION STYLE MM ONLY	DESIGN UNITS METRIC	SCALE 1:1	
	x.x	± 0.30	 THIRD ANGLE PROJECTION			
ANGULAR	± ---					