

RoHS Compliant

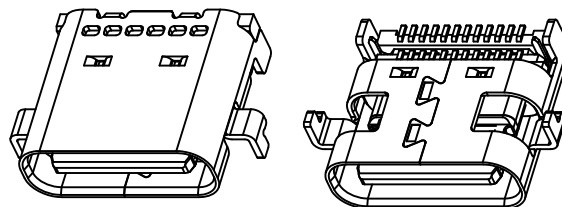
THIS DRAWING CONTAINS INFORMATION THAT IS PROPRIETARY TO ZDT TECHNOLOGY, AND SHOULD NOT BE USED WITHOUT WRITTEN PERMISSION

REV	ECN No.	DATE	REMARK
A	NEW	2020.12.15	NEW RELEASE

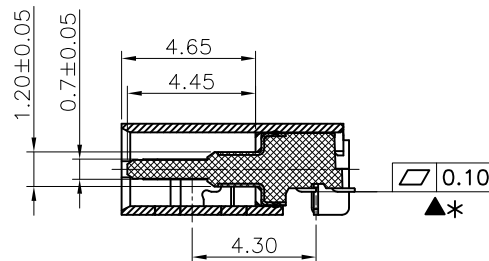
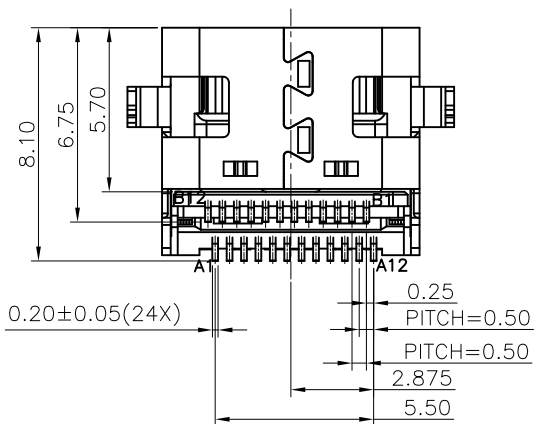
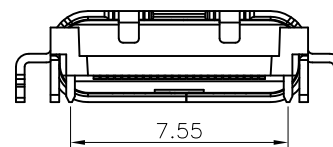
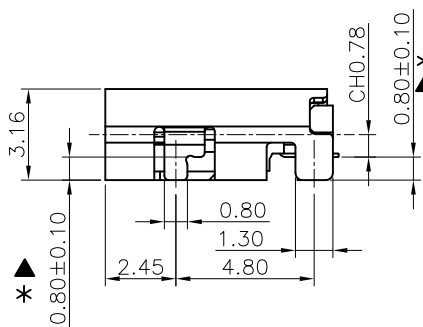
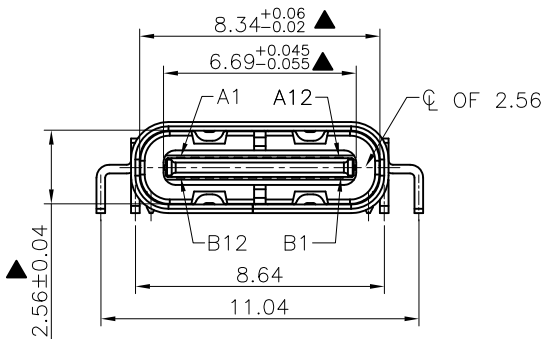
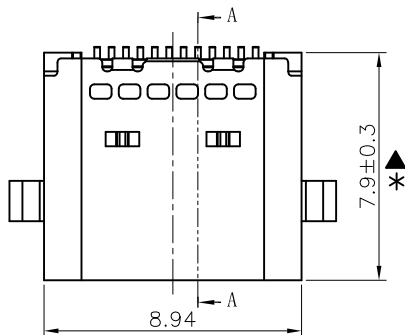
NOTE:

- MATERIAL SPECIFICATION:
 - HOUSING: HIGH TEMPERATURE RESISTANT PLASTIC LCP, UL94 V-0.
 - CONTACTS: COPPER ALLOY C18400 T=0.12MM
 - MID PLATE: STAINLESS STEEL SUS 301 T=0.15MM
 - FRONT SHELL: STAINLESS STEEL SUS 304 T=0.30MM
 - EMI PLATE: STAINLESS STEEL SUS 304 T=0.10MM
- PLATING SPECIFICATION:
 - CONTACTS:
 - Ni 50u" MIN. UNDER PLATED OVER ALL.
 - Au PLATED ON THE FUNCTIONAL AREA OF CONTACT.
 - (GOLD PLATING THICKNESS FOLLOW THE P/N)
 - PLATING SPECIFICATIONS OF THE SOLDER AREA FOLLOW THE P/N
 - FRONT SHELL:
 - Ni 30u" MIN. UNDER PLATED OVER ALL.
 - MID PLATE:
 - THE SOLDER AREA FOLLOW Tin PLATED
 - EMI PLATE:
 - CLEAR ONLY
- MECHANICAL PERFORMANCE,
 - INSERTION FORCE: 0.5~2.0kgf.
 - REMOVAL FORCE: 0.8kgf~2.0kgf.
 - DURABILITY: 10000 CYCLES.
- ELECTRICAL PERFORMANCE,
 - CURRENT RATING: 5.0A
VOLTAGE RATING: 5.0V
 - LLCR:
 - VBUS & GND PINS AND OTHER PINS: 40mΩ/PIN MAX.
 - SHIELD: 50mΩ/MAX.
 - LLCR MAX. CHANGE OF ALL PINS: 10mΩ.
 - INSULATION RESISTANCE: 100MΩ MIN
 - DIELECTRIC WITHSTAND VOLTAGE, AC 100V FOR 1 MINUTE.
- ENVIRONMENTAL PERFORMANCE:
 - OPERATING TEMPERATURE: -25°C~+85°C.
- IR REFLOW:
 - THE PEAK TEMPERATURE ON THE BOARD SHALL BE MAINTAINED FOR 10 SECONDS AT 260°C.
- 符合ROHS要求
- 注: 带“▲”号的为重点管控尺寸.
- 注: 带“*”号的为CPK尺寸.
- PART NUMBER CODE:

C F 104 - 24 L $\frac{X}{(1)}$ $\frac{XX}{(2)}$ $\frac{X}{(3)}$ - 02
- HOUSING COLOR:
 - B: BLACK
- CONTACTS PLATED:
 - 12: 接触镀金3u"焊接区域镀金1u"
 - 14: 接触镀金15u"焊接区域镀金1u"
 - 15: 接触镀金30u"焊接区域镀金1u"
- PACKING OPTIONS
 - R: TAPE & REEL
 - VR: TAPE & REEL+真空包装(专用客户指定包规)



3D VIEW



SECTION A-A
SCALE 1:1

PART NO.:
SEE THE PART NUMBER CODE

ZDT 深圳市中科兴达科技有限公司
SHENZHEN ZDT TECHNOLOGY CO., LTD

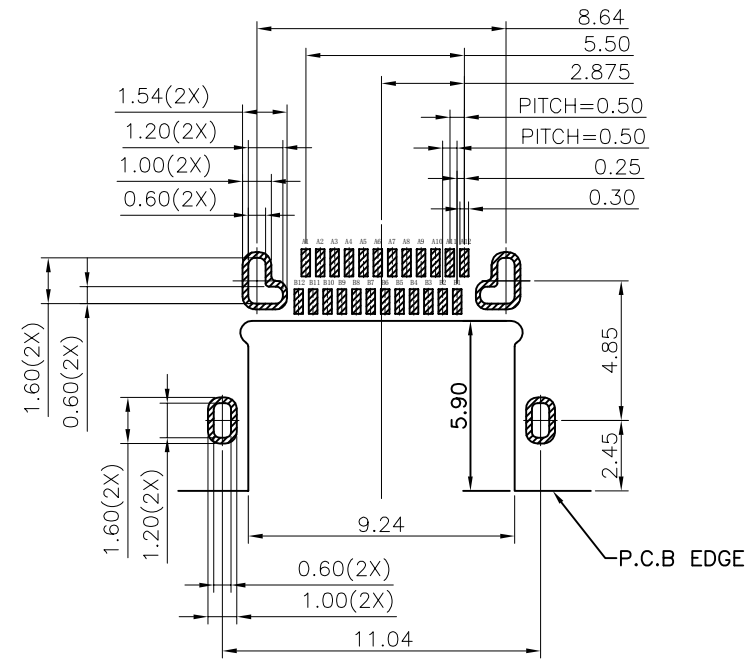
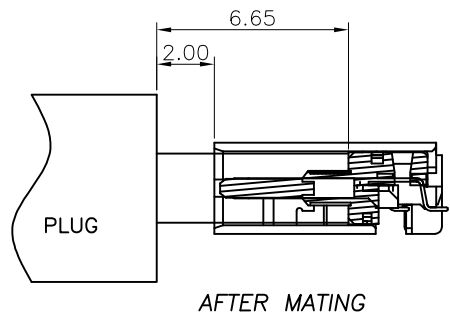
DRAWN BY: SAM
DATE: 2020.12.15

QUALITY SYMBOL	GENERAL TOLERANCES (UNLESS SPECIFIED)	
	x.xxxxx	± ---
	x.xxx	± 0.10
	x.xx	± 0.25
	x.x	± 0.30
▲	ANGULAR	± ---

TITLE USB CF 24PIN SMT TYPE MID-MOUNT 0.8		CHECKED BY JAY		DATE 2020.12.15	
DWG.NO. CF104-24-02		SHEET NO. 1 OF 3		APPROVED BY JACKY	
DIMENSION STYLE MM ONLY		DESIGN UNITS METRIC		SCALE 1:1	

THIRD ANGLE PROJECTION

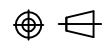
REV	ECN No.	DATE	REMARK
A	NEW	2015.05.10	NEW RELEASE

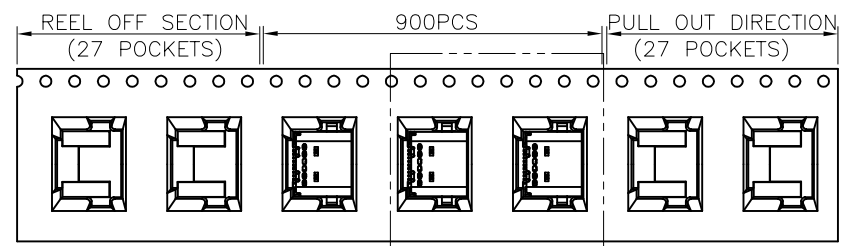


RECOMMENDED PCB LAYOUT(TOP VIEW)
THICKNESS 0.60MM;DEFAULT TOLERANCE:±0.05

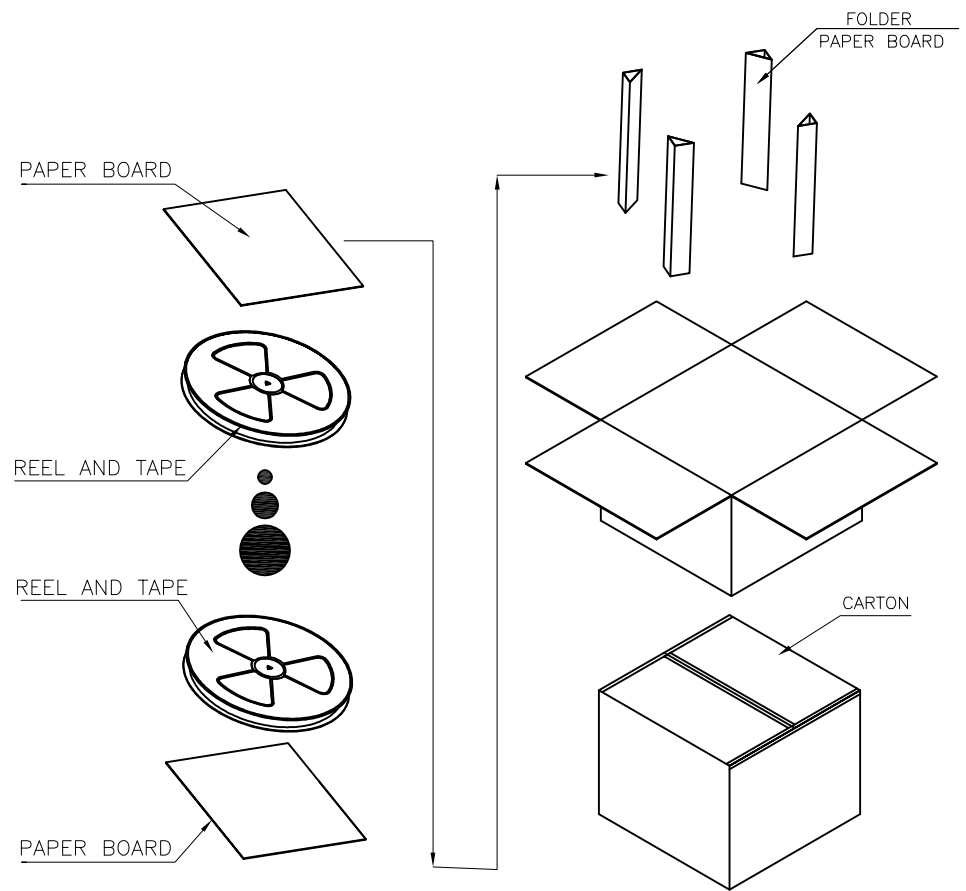
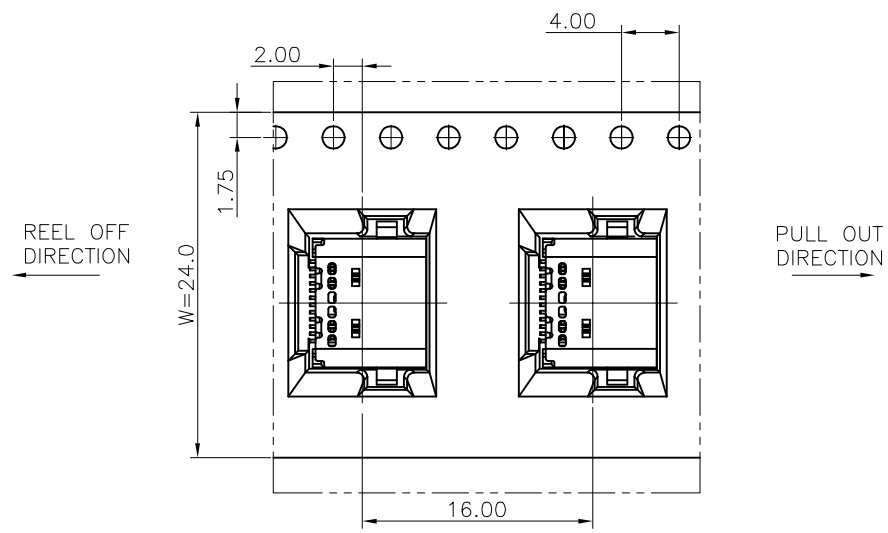
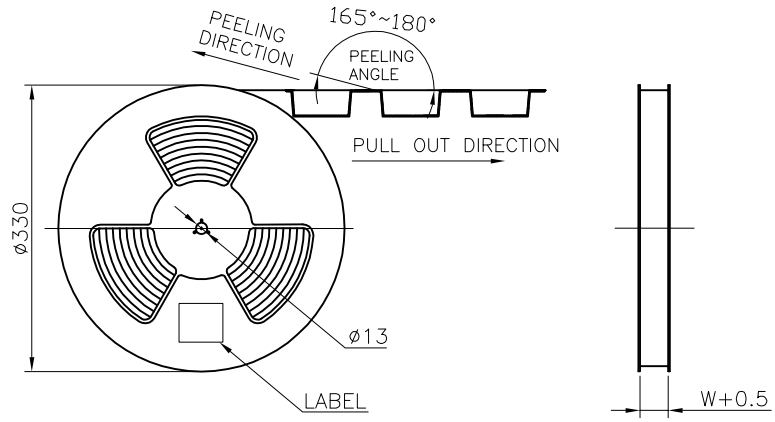
USB TYPE-C PIN ASSIGNMENTS

PIN NUMBER	SIGNAL NAME	PIN NUMBER	SIGNAL NAME
A1	GND	B12	GND
A2	SSTXp1	B11	SSRXp1
A3	SSTXn1	B10	SSRXn1
A4	Vbus	B9	Vbus
A5	CC1	B8	SBU2
A6	Dp1	B7	Dn2
A7	Dn1	B6	Dp2
A8	SBU1	B5	CC2
A9	Vbus	B4	Vbus
A10	SSRXn2	B3	SSTXn2
A11	SSRXp2	B2	SSTXp2
A12	GND	B1	GND

PART NO.: SEE THE PART NUMBER CODE		ZDT 深圳市中科兴达科技有限公司 SHENZHEN ZDT TECHNOLOGY CO.,LTD		DRAWN BY SAM	DATE 2015.05.10	
QUALITY SYMBOL 0 ∇ 0	GENERAL TOLERANCES (UNLESS SPECIFIED)		TITLE USB CF 24PIN SMT TYPE MID-MOUNT 0.8			
	x.xxxx	± ---	DWG.NO. CF104-24-02	SHEET NO. 2 OF 3	CHECKED BY JAY	DATE 2015.05.10
	x.xxx	± 0.10			APPROVED BY JACKY	DATE 2015.05.10
	x.xx	± 0.25	DIMENSION STYLE MM ONLY	DESIGN UNITS METRIC	SCALE 1:1	 THIRD ANGLE PROJECTION
	x.x	± 0.30				
x.x	± ---*					



SEE DETAIL X



	REEL	CARTON
CONNECTOR (PCS)	900	9000

PART NO.: SEE THE PART NUMBER CODE		ZDT 深圳市中科兴达科技有限公司 SHENZHEN ZDT TECHNOLOGY CO., LTD		DRAWN BY SAM	DATE 2015.05.10	
QUALITY SYMBOL 0 ∇ 0	GENERAL TOLERANCES (UNLESS SPECIFIED)		TITLE USB CF 24PIN SMT TYPE MID-MOUNT 0.8			
	x.xxxx	± ---	DWG.NO. CF104-24-02	SHEET NO. 3 OF 3	CHECKED BY JAY	DATE 2015.05.10
	x.xxx	± 0.10			APPROVED BY JACKY	DATE 2015.05.10
	x.xx	± 0.25	THIRD ANGLE PROJECTION			
	x.x	± 0.30	DIMENSION STYLE MM ONLY	DESIGN UNITS METRIC	SCALE 1:1	
ANGULAR	± ---					