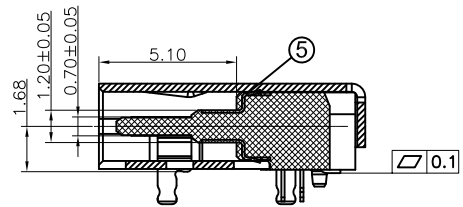
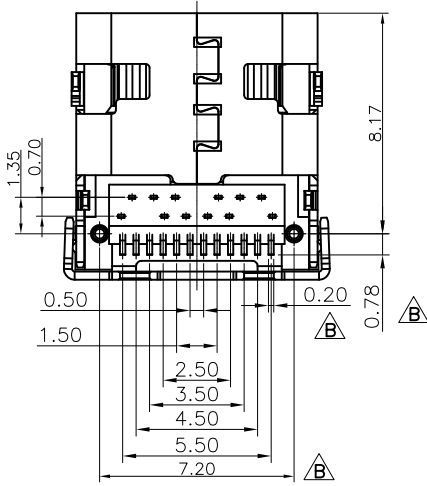
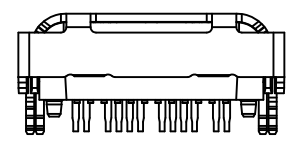
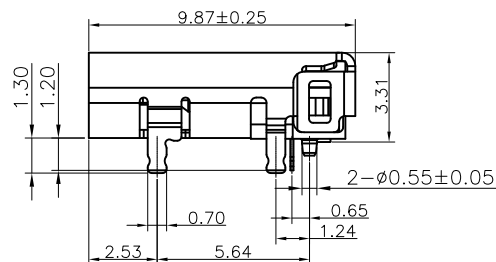
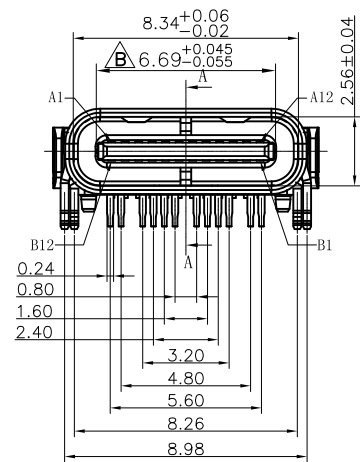
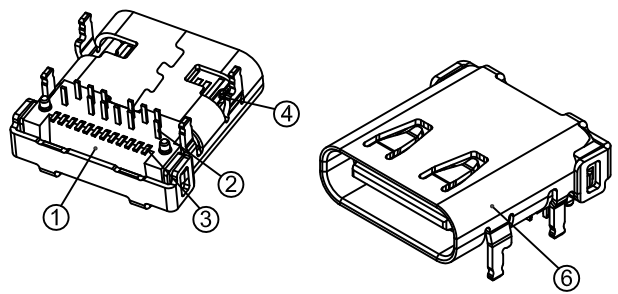
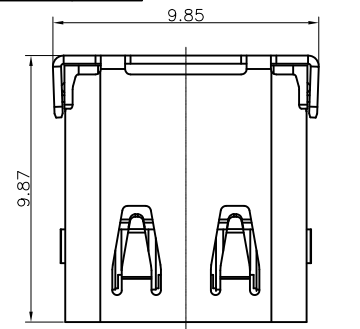


RoHS Compliant

THIS DRAWING CONTAINS INFORMATION THAT IS PROPRIETARY TO ZDT TECHNOLOGY. AND SHOULD NOT BE USED WITHOUT WRITTEN PERMISSION

TYPE C协会认证TID NO. 3658

REV	ECN No.	DATE	REMARK
A	NEW	2017.10.05	NEW RELEASE
B	---	2023.09.04	加标尺寸



SECTION A-A
SCALE 1:1

- NOTE:
- Electrical Characteristics:
 - 1-1: Current Rating: 5A For Pin(A4,A9,B4,B9)
1.25A For Pin(B5)
0.25A For Others Pin
 - 1-2: VOLTAGE RATING:5.0/20V
 - 1-3: Insulation Resistance: 100MΩ Min.
 - 1-4: Contact Resistance:
VBUS & GND PINS AND OTHER PINS: 40mΩ/PIN MAX.
SHIELD:50mΩ/MAX.
SHIELD:LLCR MAX. CHANGE OF ALL PINS: 10mΩ.
 - 1-5: Dielectric Withstanding Voltage: 100V/AC 1Minute
 - Mechanical Characteristics:
 - Insertion Force: 5~20N
 - Extraction Force: Initial: 8~20N
After durability: 6~20N
 - Durability :10000 Cycles
 - Operating Temperature: -25°C TO +85°C
 - PART NUMBER CODE:
CF170-24 S L B XX XX - 02
(1)(2) (3)
- (1) HOUSING COLOR:
B: BLACK
- (2) CONTACTS PLATED:
12: Au 3u" PLATED ON THE FUNCTIONAL AREA OF CONTACT.
PLATING SPECIFICATIONS OF THE SOLDER AREA FOLLOW G/F
- 14: Au 15u" PLATED ON THE FUNCTIONAL AREA OF CONTACT.
PLATING SPECIFICATIONS OF THE SOLDER AREA FOLLOW G/F
- 15: Au 30u" PLATED ON THE FUNCTIONAL AREA OF CONTACT.
PLATING SPECIFICATIONS OF THE SOLDER AREA FOLLOW G/F
- (3) PACKING OPTIONS:
R: TAPE & REEL
VR: TAPE & REEL+ 真空包装 (专用客户指定包装)

TYPE:

NO.	DESCRIPTION	MATERIAL	REMARKS	QTY
6	SHELL	SUS304 1/2H T=0.30mm	NICKEL 30u" MIN PLATING	1PCS
5	EMI	SUS304 1/2H T=0.10mm	CLEAR ONLY	2PCS
4	SHIELDING PLATE	SUS301 3/4H T=0.15mm	CLEAR ONLY	1PCS
3	SMT CONTACT	C18400-H T=0.12mm	Ni 50u" MIN UNDER PLATED OVER ALL Au 3u" PLATED ON THE FUNCTIONAL AREA OF CONTACT. PLATING OF OF THE SOLDER AREA	1SET
2	DIP CONTACT	C18400-H T=0.12mm	Ni 50u" MIN UNDER PLATED OVER ALL Au 3u" PLATED ON THE FUNCTIONAL AREA OF CONTACT. PLATING OF OF THE SOLDER AREA	1SET
1	HOUSING	LCP UL94V-0	BLACK	1PCS

PART NO.: SEE THE PART NUMBER CODE

ZDT 深圳市中兴科兴达科技有限公司
SHENZHEN ZDT TECHNOLOGY CO., LTD

DRAWN BY: SAM
CHECKED BY: JAY
APPROVED BY: JACKY

QUALITY SYMBOL:

GENERAL TOLERANCES:
x.xxxxx ± ---
x.xxx ± 0.10
x.xx ± 0.25
x.x ± 0.30
ANGULAR ± ---

TITLE: USB C F TYPE 24PIN DIP+SMT CONN

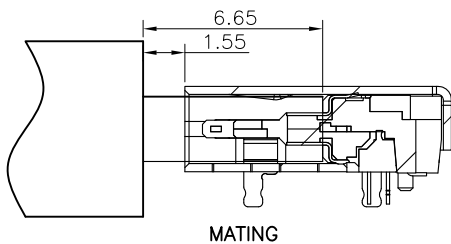
THIRD ANGLE PROJECTION
UNIT: mm
SCALE: 1:1
SHEET NO.: 1 OF 2
DWG.NO.: CF170-24-02

RoHS Compliant 

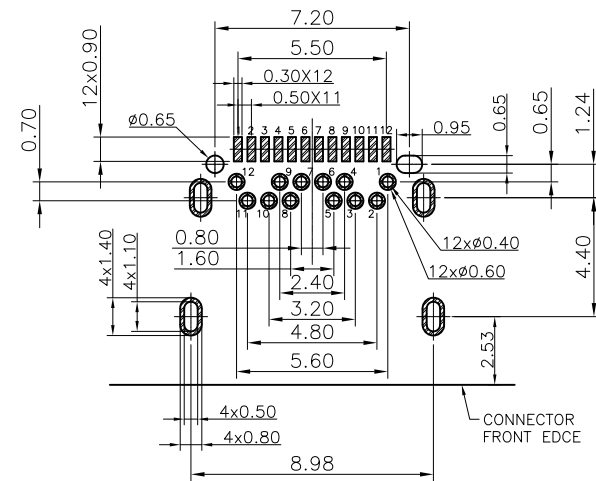
THIS DRAWING CONTAINS INFORMATION THAT IS PROPRIETARY TO ZDT TECHNOLOGY. AND SHOULD NOT BE USED WITHOUT WRITTEN PERMISSION

TYPE C协会认证TID NO. 3658

REV	ECN No.	DATE	REMARK
A	NEW	2017.10.05	NEW RELEASE
B	---	2023.09.04	加标尺寸



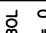
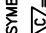
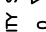


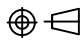
MATING



RECOMMEND P.C.B LAYOUT(T=1.00mm)
TOLERANCE UNSPECIFIED ±0.05mm

PIN DEFINITION:

PIN No.	A1	A2	A3	A4	A5	A6	A7	A8	A9	A10	A11	A12
	GND	TX1+	TX1-	VBus	CC1	D+	D-	SBU1	VBus	RX2-	RX2+	GND
PIN No.	B12	B11	B10	B9	B8	B7	B6	B5	B4	B3	B2	B1
	GND	RX1+	RX1-	VBus	SBU2	D-	D+	CC2	VBus	TX2-	TX2+	GND

PART NO.: SEE THE PART NUMBER CODE		ZDT 深圳市中科兴达科技有限公司 SHENZHEN ZDT TECHNOLOGY CO., LTD		DRAWN BY: SAM	
QUALITY SYMBOL		GENERAL TOLERANCES		CHECKED BY: JAY	
		x.xxxx	± ---	APPROVED BY: JACKY	
		x.xxx	± 0.10	DWG.NO. CF170-24-02	
		x.xx	± 0.25	SHEET NO. 2 OF 2	
		x.x	± 0.30	frame size: A4	
	ANGULAR	± --*	TITLE USB C F TYPE 24PIN DIP+SMT CONN		
		THIRD ANGLE PROJECTION	UNIT mm	SCALE 1:1	