

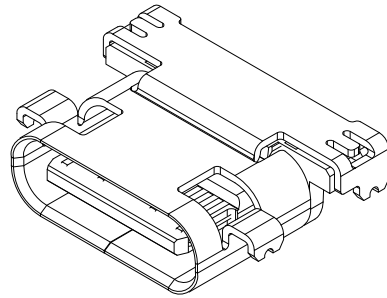


RoHS Compliant



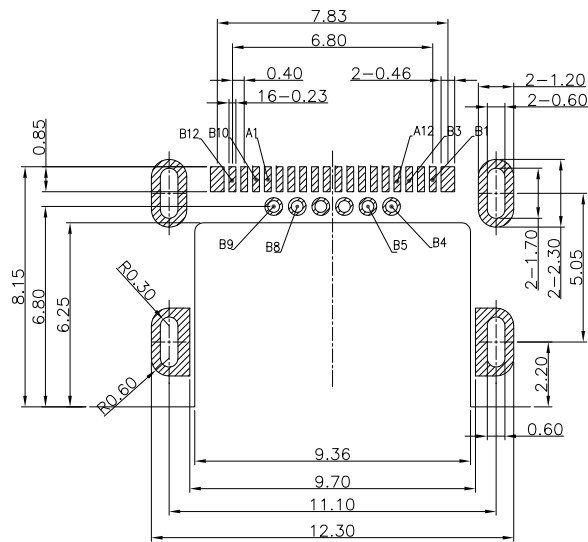
THIS DRAWING CONTAINS INFORMATION THAT IS PROPRIETARY TO ZDT TECHNOLOGY, AND SHOULD NOT BE USED WITHOUT WRITTEN PERMISSION

REV	ECN No.	DATE	REMARK
A	NEW	2021.08.12	NEW RELEASE



USB TYPE-C FULL-FEATURED RECEPTACLE INTERFACE PIN ASSIGNMENTS

PIN	Signal Name	Description	PIN	Signal Name	Description
A1	GND	Ground return	B12	GND	Ground return
A2	SSTXp1	Positive half of first SuperSpeed TX differential pair	B11	SSRXp1	Positive half of first SuperSpeed RX differential pair
A3	SSTXn1	Negative half of first SuperSpeed TX differential pair	B10	SSRXn1	Negative half of first SuperSpeed RX differential pair
A4	VBUS	Bus Power	B9	VBUS	Bus Power
A5	CC1	Configuration Channel	B8	SBU2	Sideband Use (SBU)
A6	Dp1	Positive half of the USB 2.0 differential pair-Position 1	B7	Dn2	Negative half of the USB 2.0 differential pair-Position 2
A7	Dn1	Negative half of the USB 2.0 differential pair-Position 1	B6	Dp2	Positive half of the USB 2.0 differential pair-Position 2
A8	SBU1	Sideband Use (SBU)	B5	CC2	Configuraaation Channel
A9	VBUS	Bus Power	B4	VBUS	Bus Power
A10	SSRXn2	Negative half of second SuperSpeed RX differential pair	B3	SSTXn2	Negative half of second SuperSpeed TX differential pair
A11	SSRXp2	Positive half of second SuperSpeed RX differential pair	B2	SSTXp2	Positive half of second SuperSpeed TX differential pair
A12	GND	Ground return	B1	GND	Ground return



RECOMMEND P.C.B LAYOUT (COMPONENT SIDE)  
 TOLERANCE FOR PCB LAYOUT IS ± 0.05  
 KEEP OUT AREA

PART NO.:  
SEE THE PART NUMBER CODE

**ZDT** 深圳市中科兴达科技有限公司  
SHENZHEN ZDT TECHNOLOGY CO., LTD

DRAWN BY: SAM  
DATE: 2021.08.12

QUALITY SYMBOL	0	GENERAL TOLERANCES (UNLESS SPECIFIED)
	x.xxxx	± 0.10
	x.xxx	± 0.25
	x.xx	± 0.30
	x.x	± 0.40
ANGULAR	± 0.10	ANGULAR

TITLE		DRAWN BY		DATE	
USB 3.1 C TYPE FEMALE SINK CH0.78 沉板2.36 SHORT SMT+DIP L 7.95		SAM		2021.08.12	
DWG.NO.		CHECKED BY		DATE	
CF324-019-75		JAY		2021.08.12	
SHEET NO.		APPROVED BY		DATE	
2 OF 2		JACKY		2021.08.12	
DIMENSION STYLE		DESIGN UNITS		SCALE	
MM ONLY		METRIC		1:1	

THIRD ANGLE PROJECTION