

RoHS Compliant

THIS DRAWING CONTAINS INFORMATION THAT IS PROPRIETARY TO ZDT TECHNOLOGY. AND SHOULD NOT BE USED WITHOUT WRITTEN PERMISSION

REV	ECN No.	DATE	REMARK
A	NEW	2020.09.01	NEW RELEASE
B	---	2023.06.28	依实际修改图纸端子焊脚电镀规格原焊脚CP=>镀锡

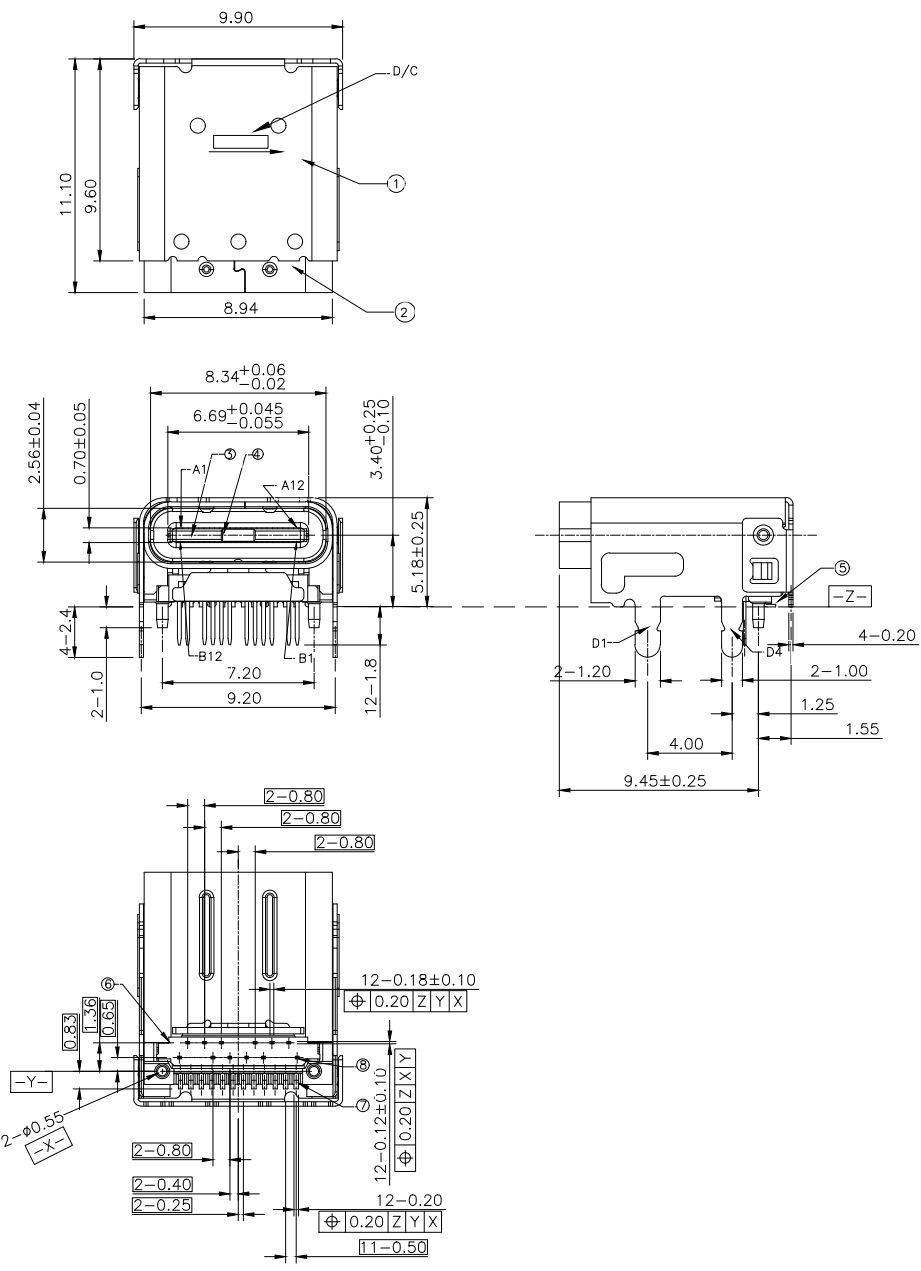
NOTES :

- ELECTRICAL CHARACTERISTIC:
 - 1-1: CONTACT CURRENT RATING: VBUS AND GND CONTACTS RATED AT 1.25A EA., PARALLELED FOR A TOTAL OF 5A.
 - 1-2: LOW LEVEL CONTACT RESISTANCE: 40 MILLIOHMS MAX. FOR VBUS ,GND AND OTHER CONTACTS. 50 MILLIOHMS MAX. AFTER ENVIRONMENT TEST.
 - 1-3: DIELECTRIC WITHSTANDING VOLTAGE: 100VAC (RMS)MIN.
 - 1-4: INSULATION RESISTANCE: 100 MEGOHMS MIN.
- MECHANICAL CHARACTERISTIC:
 - 2-1: INSERTION FORCE: 5~20N .
 - 2-2: EXTRACTON FORCE: 8~20 N UP TO 1,000 MATING CYCLES, 6~20 N AFTER 1000 DURABILITY CYCLES.
 - 2-3: DURABILITY: 10000 CYCLES.
 - 2-4: OPERATING TEMPERATURE: -55°C ~ +85°C.
- MEET USB TYPE C STANDARD SPECIFICATION.
- DIMENSIONS ARE IN MILLIMETERS, BRACKETED DIMENSIONS ARE INCHES EQUIVALENTS.
- RECOMMENDED PROCESS: IR REFLOW 260°C, 10SECONDS.
- THE CONNECTOR COMPLIANT TO ROHS AND HALOGEN FREE .
- THE CONNECTOR it conforms to the high frequency characteristic requirements of GNE2(10G) .

8.PART NUMBER CODE:(产品料号)

CF210-24 $\frac{L}{(1)}$ $\frac{B}{(2)}$ $\frac{XX}{(3)}$ $\frac{R}{(4)}$ -68

- (1) HOUSING MATERIAL:
L:LCP
- (2) HOUSING COLOR:
B:BLACK
- (3) CONTACTS PLATED:
11:接触铜金1u"焊接区镀锡
12:接触镀金3u"焊接区镀锡
15:接触镀金30u"焊接区镀锡
- (4) PACKING OPTIONS
R:TAPE & REEL



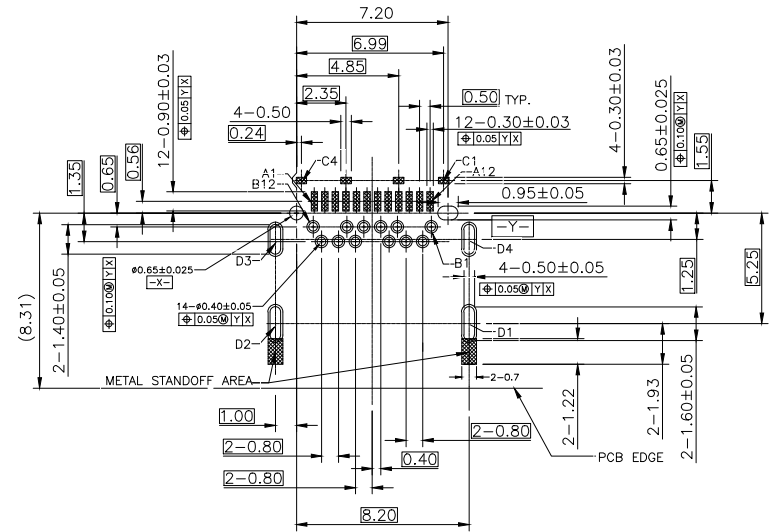
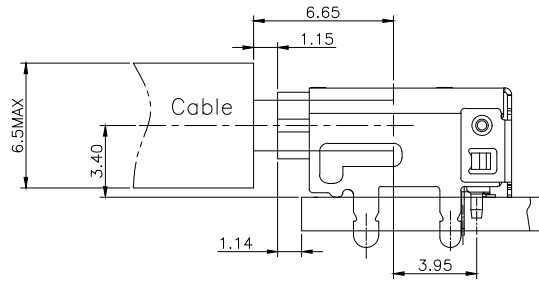
NO.	DESCRIPTION	QTY.	MATERIAL	TREATMENT
⑧	UPPER CONTACT	12	COPPER ALLOY	NICKEL UNDERPLATING OVERALL; SELECTIVE GOLD Plated AT CONTACT AREA; LEAD FREE TIN ALLOY PLATED AT TERMINATION.
⑦	LOWER CONTACT	12	COPPER ALLOY	NICKEL UNDERPLATING OVERALL; SELECTIVE GOLD Plated AT CONTACT AREA; LEAD FREE TIN ALLOY PLATED AT TERMINATION.
⑥	LOWER IM	1	THERMOPLASTIC UL 94V-0	MOLDED COLOR: BLACK.
⑤	UPPER IM	1	THERMOPLASTIC UL 94V-0	MOLDED COLOR: BLACK.
④	CENTER IM	1	THERMOPLASTIC UL 94V-0	MOLDED COLOR: BLACK.
③	SHIELD PLATE	1	STAINLESS STEEL	NICKEL PLATING AT OVER ALL.
②	INNER SHELL	1	STAINLESS STEEL	CLEAN
①	OUTER SHELL	1	STAINLESS STEEL	NICKEL PLATING ONLY AT TAIL, Au AT TABS AND SOLDER TAIL.

PART NO.:		ZDT 深圳市中科兴达科技有限公司		DRAWN BY DATE	
SEE THE PART NUMBER CODE		SHENZHEN ZDT TECHNOLOGY CO., LTD		SAM 2023.06.28	
QUALITY SYMBOL	GENERAL TOLERANCES (UNLESS SPECIFIED)	TITLE		CHECKED BY	DATE
	x.xxxxx	USB3.1 Type C 24Pin CH3.4		JAY	2023.06.28
	x.xxx	DIP+SMT TYPE FEMALE		APPROVED BY	DATE
	x.xx	CF210-24-68		JACKY	2023.06.28
x.x	DIMENSION STYLE	DESIGN UNITS	SHEET NO.	THIRD ANGLE PROJECTION	
ANGULAR	MM ONLY	METRIC	1 OF 2		

RoHS Compliant 

THIS DRAWING CONTAINS INFORMATION THAT IS PROPRIETARY TO ZDT TECHNOLOGY. AND SHOULD NOT BE USED WITHOUT WRITTEN PERMISSION

REV	ECN No.	DATE	REMARK
A	NEW	2020.09.01	NEW RELEASE
B	---	2023.06.28	依实际修改图纸端子焊脚电镀规格 原焊脚镀->镀锡



RECOMMENDED P.C.B LAYOUT (COMPONENT SIDE)

PCB THICKNESS: 1.60±0.05[.063±.002]mm
DEFAULT TOLERANCE: ±0.05[.002]

Pin No.	Signal Name	Pin No.	Signal Name
A1	GND	B12	GND
A2	SSTXp1	B11	SSRXp1
A3	SSTXn1	B10	SSRXn1
A4	VBUS	B9	VBUS
A5	CC1	B8	SBU2
A6	Dp1	B7	Dn2
A7	Dn1	B6	Dp2
A8	SBU1	B5	CC2
A9	VBUS	B4	VBUS
A10	SSRXn2	B3	SSTXn2
A11	SSRXp2	B2	SSTXp2
A12	GND	B1	GND

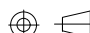
PART NO.:
SEE THE PART NUMBER CODE

ZDT 深圳市中科兴达科技有限公司
SHENZHEN ZDT TECHNOLOGY CO., LTD

DRAWN BY: SAM
DATE: 2023.06.28

QUALITY SYMBOL	GENERAL TOLERANCES (UNLESS SPECIFIED)
$\nabla=0$	x.xxxxx
$\nabla=0.1$	x.xxx
$\nabla=0.2$	x.xx
$\nabla=0.3$	x.x
$\nabla=0.4$	x
$\nabla=0.5$	ANGULAR

TITLE	
USB3.1 Type C 24Pin CH3.4 DIP+SMT TYPE FEMALE	
DWG.NO.	SHEET NO.
CF210-24-68	2 OF 2
DIMENSION STYLE	DESIGN UNITS
MM ONLY	METRIC
SCALE	1:1

CHECKED BY	DATE
JAY	2023.06.28
APPROVED BY	DATE
JACKY	2023.06.28
 THIRD ANGLE PROJECTION	

frame size: A4