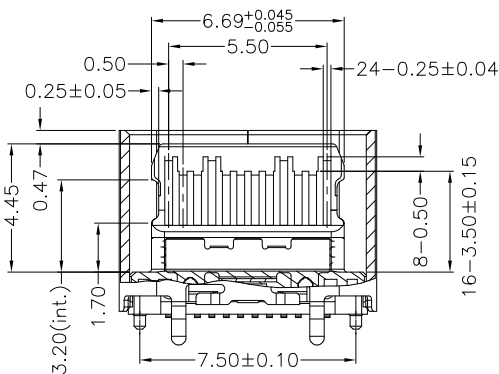
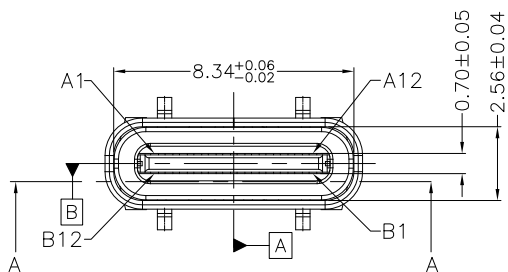


RoHS Compliant

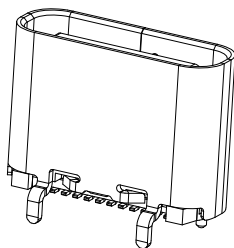
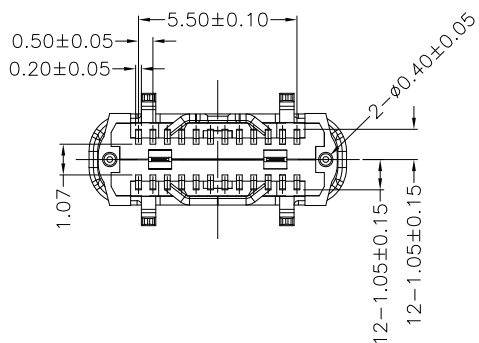
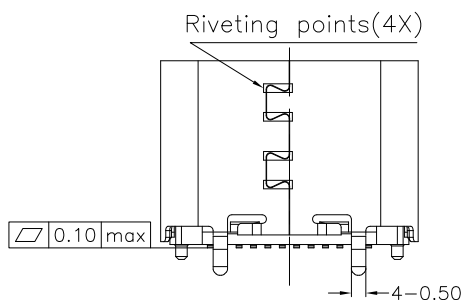
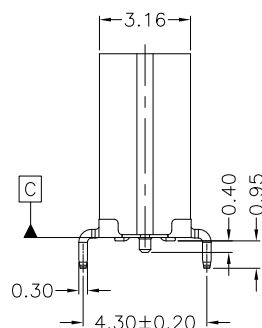
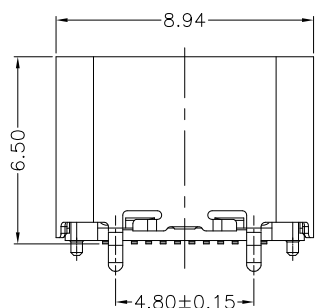
THIS DRAWING CONTAINS INFORMATION THAT IS PROPRIETARY TO ZDT TECHNOLOGY, AND SHOULD NOT BE USED WITHOUT WRITTEN PERMISSION

REV	ECN No.	DATE	REMARK
A0	NEW	2019.11.21	NEW RELEASE

TYPE C协会认证TID NO. 3732



SECTION A-A
SCALE 1:1



NOTE:

- MATERIAL SPECIFICATION:
 - HOUSING: HIGH TEMPERATURE RESISTANT PLASTIC(LCP), UL94 V-0. COLOR: BLACK.
 - CONTACTS: COPPER ALLOY(C18150) T=0.12mm
 - MID PLATE: STAINLESS STEEL(SUS301) T=0.15mm
 - EMI PLATE: STAINLESS STEEL(SUS301) T=0.10mm
 - SHELL: STAINLESS STEEL(SUS304) T=0.30mm
- PLATING SPECIFICATION:
 - CONTACTS: Ni 50u" MIN. UNDER PLATED OVER ALL. Au PLATED ON THE MATING AREA OF CONTACT. (GOLD PLATING THICKNESS FOLLOW THE P/N) GF PLATED ON THE SOLDER AREA.
 - SHELL: Ni 30u" MIN. UNDER PLATED OVER ALL.
 - MID PLATE: CLEAR ONLY
 - EMI PLATE: CLEAR ONLY
- MECHANICAL PERFORMANCE,
 - INSERTION FORCE: 0.5~2.0kgf.
 - EXTRACTION FORCE: 0.8kgf~2.0kgf. 0.6kgf~2.0kgf. AFTER DURABILITY TEST.
 - DURABILITY: 10000 CYCLES.
- ELECTRICAL PERFORMANCE,
 - CURRENT RATING: 5.0A VOLTAGE RATING: 5.0V
 - LLCR: VBUS & GND PINS AND OTHER PINS: 40mΩ/PIN MAX. SHIELD: 50mΩ/MAX. LLCR MAX. CHANGE OF ALL PINS: 10mΩ.
 - INSULATION RESISTANCE: 100MΩ MIN
 - DIELECTRIC WITHSTAND VOLTAGE, AC 100V FOR 1 MINUTE.
- ENVIRONMENTAL PERFORMANCE: OPERATING TEMPERATURE: -25°C~+85°C.
- IR REFLOW: THE PEAK TEMPERATURE ON THE BOARD SHALL BE MAINTAINED FOR 10 SECONDS AT 260°C.

7. PART NUMBER CODE:

CF122-24SL B XX R - C3

① ②

- ① HOUSING COLOR: ② CONTACTS PLATED:
B: BLACK 12: 镀金3u"其它GF

PART NO.:
SEE THE PART NUMBER CODE

ZDT 深圳市中科兴达科技有限公司
SHENZHEN ZDT TECHNOLOGY CO., LTD

DRAWN BY: SAM DATE: 2019.11.21

QUALITY SYMBOL	0	GENERAL TOLERANCES (UNLESS SPECIFIED)
	x.xxxxx	± ---
	x.xxx	± 0.10
	x.xx	± 0.25
	x.x	± 0.30
ANGULAR	± ---°	

TITLE: USB TYPE C FEMALE 24PIN VERTICAL TYPE SHELL H6.50mm		CHECKED BY: JAY DATE: 2019.11.21	
DWG.NO.: CF122-24-C3		APPROVED BY: JACKY DATE: 2019.11.21	
DIMENSION STYLE: MM ONLY		DESIGN UNITS: METRIC	
SHEET NO.: 1 OF 2		SCALE: 1:1	

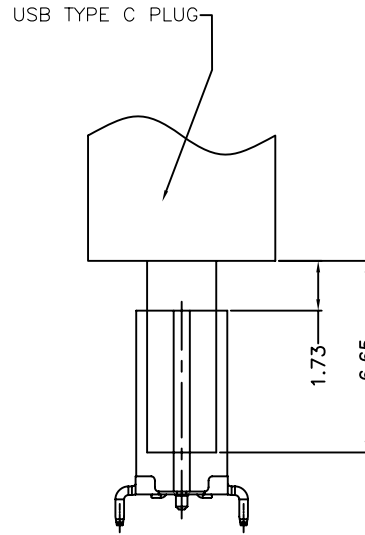
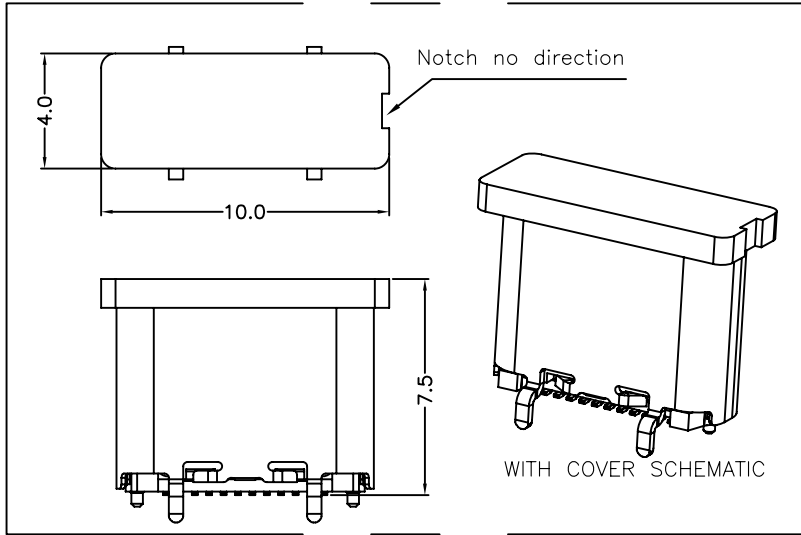
THIRD ANGLE PROJECTION

RoHS Compliant 

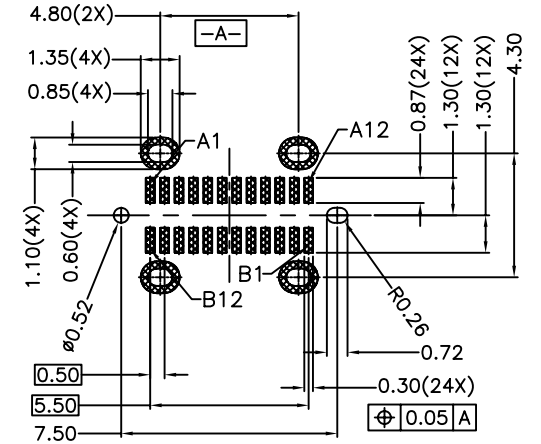
THIS DRAWING CONTAINS INFORMATION THAT IS PROPRIETARY TO ZDT TECHNOLOGY, AND SHOULD NOT BE USED WITHOUT WRITTEN PERMISSION

REV	ECN No.	DATE	REMARK
A0	NEW	2019.11.21	NEW RELEASE

TYPE C协会认证TID NO. 3732



FEMALE AND MALE MATCHING DRAWING



RECOMMENDED PCB LAYOUT(TOP VIEW)
THICKNESS 0.8±0.10MM;DEFAULT TOLERANCE:±0.05

USB TYPE-C PIN ASSIGNMENTS

PIN NUMBER	SIGNAL NAME	PIN NUMBER	SIGNAL NAME
A1	GND	B12	GND
A2	SSTXp1	B11	SSRXp1
A3	SSTXn1	B10	SSRXn1
A4	Vbus	B9	Vbus
A5	CC1	B8	SBU2
A6	Dp1	B7	Dn2
A7	Dn1	B6	Dp2
A8	SBU1	B5	CC2
A9	Vbus	B4	Vbus
A10	SSRXn2	B3	SSTXn2
A11	SSRXp2	B2	SSTXp2
A12	GND	B1	GND

PART NO.:
SEE THE PART NUMBER CODE

ZDT 深圳市中科兴达科技有限公司
SHENZHEN ZDT TECHNOLOGY CO., LTD

DRAWN BY: SAM
DATE: 2019.11.21

QUALITY SYMBOL	GENERAL TOLERANCES (UNLESS SPECIFIED)	
	x.xxxx	± ---
	x.xxx	± 0.10
	x.xx	± 0.25
	x.x	± 0.30
ANGULAR	± ---°	

TITLE: USB TYPE C FEMALE 24PIN VERTICAL TYPE SHELL H6.50mm

CHECKED BY: JAY
DATE: 2019.11.21

DWG.NO.: CF122-24-C3
SHEET NO.: 2 OF 2

APPROVED BY: JACKY
DATE: 2019.11.21

DIMENSION STYLE: MM ONLY
DESIGN UNITS: METRIC
SCALE: 1:1

THIRD ANGLE PROJECTION