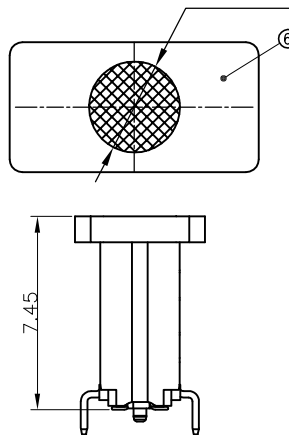


CAP ASSEMBLY AND MOUNTING CONDITION(REF.)



SPECIFICATION:

1.ELECTRICAL CHARACTERISTICS:

- 1.1 CURRENT RATING: 1.5A/Pin MAX(A4,A9,B4,B9)
1.25A/Pin MAX(A1,A12,B1,B12),0.25A(OTHER PIN)
- 1.2 CONTACT RESISTANCE: 40 MILLIONHM MAX.
- 1.3 DIELECTRIC WITHSTANDING VOLTAGE: 100 VAC r.m.s
- 1.4 INSULATION RESISTANCE: 100 MEGOHMS MIN.

2.MECHANICAL CHARACTERISTICS

- 2.1 INSERTION FORCE: 5~20N
- 2.2 EXTRACTION FORCE: Initial:8~20N;Durability:6~20N(10000cycles);
- 2.3 DURABILITY:10,000CYCLES

3.ENVIRONMENTAL CHARACTERISTICS

- 3.1 TEMPERATURE RANGE: -40 °C ~ 85 °C
- 3.2. IR REFLOW:

THE PEAK TEMPERATURE ON THE BOARD SHALL BE MAINTAINED FOR 10 SECONDS AT 260°C.

4.PART NUMBER CODE:(产品料号)

CF1 24 - 001 S X B XX R - F8
(1) (2) (3) (4) (5)

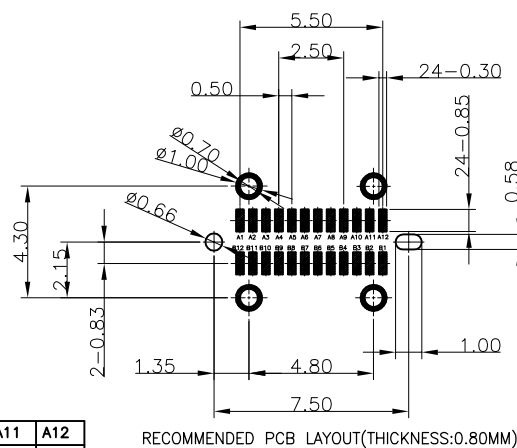
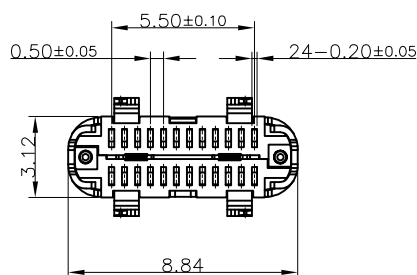
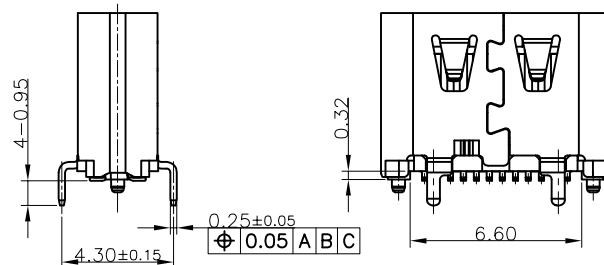
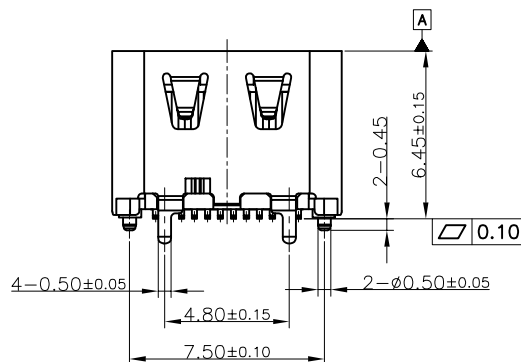
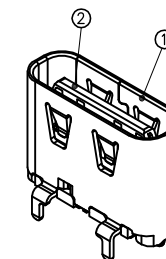
(1) Pin No.
24:24PIN

(2) HOUSING MATERIAL:
N:PA46

(3) HOUSING COLOR:
B:BLACK

(4) CONTACTS PLATED:
12:接触镀金3u*其它GF

(5) PACKING OPTIONS
R:TAPE & REEL



RECOMMENDED PCB LAYOUT(THICKNESS:0.80MM)

⑥	CAP	1 PCS	LCP	COLOR: BLACK
⑤	MID PLATE	1 PCS	STAINLESS STEEL	NO SURFACE TREATMENT
④	CONTACT B	1 SET	COPPER ALLOY	
③	CONTACT A	1 SET	COPPER ALLOY	
②	HOUSING	3 PCS	PA46	COLOR: BLACK
①	SHELL	1 PCS	STAINLESS STEEL	Ni 30u" MIN. UNDER PLATED OVER ALL.
NO.	DESCRIPTION	QTY.	MATERIAL	FINISH

PIN ASSIGNMENTS:

A1	A2	A3	A4	A5	A6	A7	A8	A9	A10	A11	A12
GND	RX-	RX+	Vbus	CC1	D+	D-	SBU1	Vbus	TX-	TX+	GND
B12	B11	B10	B9	B8	B7	B6	B5	B4	B3	B2	B1
GND	TX-	TX+	Vbus	SBU2	D-	D+	CC2	Vbus	RX-	RX+	GND

PART NO.:
SEE THE PART NUMBER CODE

ZDT 深圳市中科兴达科技有限公司
SHENZHEN ZDT TECHNOLOGY CO., LTD

DRAWN BY SAM
DATE 2021.05.06

QUALITY SYMBOL	0	GENERAL TOLERANCES (UNLESS SPECIFIED)
	x.xxxx	± ---
	x.xxx	± 0.10
	x.xx	± 0.20
	x.x	± 0.30
ANGULAR	± ---°	

TITLE
Type c母座16P直立式H 6.45外壳带弹

CHECKED BY JAY
DATE 2021.05.06

DWG.NO. CF124-001-F8

APPROVED BY JACKY
DATE 2021.05.06

DIMENSION STYLE MM ONLY
DESIGN UNITS METRIC
SCALE 1:1

SHEET NO. 1 OF 1
THIRD ANGLE PROJECTION