

RoHS Compliant

THIS DRAWING CONTAINS INFORMATION THAT IS PROPRIETARY TO ZDT TECHNOLOGY. AND SHOULD NOT BE USED WITHOUT WRITTEN PERMISSION

TYPE C协会认证TID NO. 2726

REV	ECN No.	DATE	REMARK
A	NEW	2019.11.21	NEW RELEASE
B	ECR230913-001	2023.09.15	1. 取消底部掏料孔 2. 整理图纸

NOTE:

- ELECTRICAL PERFORMANCE,
 - CURRENT RATING:5 AMPS. FOR TOTAL VBUS/GND PINS; 1.25AMPS FOR CC PIN,0.25 AMPS. FOR ALL OTHER CONTACT.
 - VOLTAGE RATING:20V DC/AC (RMS. MAX)
 - LLCR: VBUS & GND PINS AND OTHER PINS: 40MΩ/PIN MAX. SHIELD:50MΩ/MAX. LLCR MAX. CHANGE OF ALL PINS: 10MΩ.
 - INSULATION RESISTANCE: 100MΩ MIN
 - DIELECTRIC WITHSTAND VOLTAGE,AC 100V FOR 1 MINUTE.
- MECHANICAL PERFORMANCE,
 - INSERTION FORCE: 5~20N.
 - EXTRACTION FORCE: 8~20N.
 - DURABILITY: 10000 CYCLES.
- ENVIRONMENTAL PERFORMANCE:
 - OPERATING TEMPERATURE: -25°C~+85°C.
- IR REFLOW:
 - THE PEAK TEMPERATURE ON THE BOARD SHALL BE MAINTAINED FOR 10 SECONDS AT 260°C.
- COMPLIANCE WITH ROHS REQUIREMENTS.

6.注: 带“▲”号的为重点管控尺寸, “⊗”为尺寸号码球

7. PART NUMBER CODE:

Z-CF007SL X XX X - A -02
(1)(2)(3)

(1) HOUSING COLOR: (2) CONTACTS PLATED: (3) 包装要求

B:BLACK
N:本色
02:半金铜3u"
04:半金铜15u"
05:半金铜30u"
L:卷装
VR:卷装+真空包装

TABLE:

ITEM	P/N	HOUSING COLOR	FUNCTIONAL AREA SOLDER CONTACTS	SHELL PLATING	包装要求	
1	Z-CF007SLB02R-A-02	BLACK	Au:3u"	Sn	Ni	载带热封(不常做)
2	Z-CF007SLB02L-A-02	BLACK	Au:3u"	Sn	Ni	载带冷封
3	Z-CF007SLB04L-A-02	BLACK	Au:15u"	Sn	Ni	载带冷封
4	Z-CF007SLB05L-A-02	BLACK	Au:30u"	Sn	Ni	载带冷封
5	Z-CF007SLB02VR-A-02	BLACK	Au:3u"	Sn	Ni	载带冷封+CAP+真空包装
6	Z-CF007SLN02L-A-02	本色	Au:3u"	Sn	Ni	载带冷封

TABLE:

NO	PART	Q'TY	Material
1	SHELL	1	STAINLESS STEEL 304, NI 30u" MIN PLATED
2	EMI Plate	1	STAINLESS STEEL 301,NI 30u" MIN PLATED
3	Mid Plate	1	STAINLESS STEEL 301, NO PLATED
4	CONTACT	24	COPPER STEEL C18400,Au(PART NUMBER CODE) plated on contact area Matte Tin plated 50u"min on solder area; Nickel 50u"min underplating over all.
5	HOUSING	1	LCP BLACK/NATURA UL94 V-0
6	CAP	1	LCP BLACK UL94 V-0

PART NO.:

SEE THE PART NUMBER CODE

深圳市中兴科达科技有限公司
SHENZHEN ZDT TECHNOLOGY CO., LTD

DRAWN BY: SAM

CHECKED BY: JAY

APPROVED BY: JACKY

QUALITY SYMBOL	GENERAL TOLERANCES	TITLE
○	x.xxxx ± ---	USB TYPE-C FEMALE 24PIN Vertical H=9.30
△	x.xxx ± 0.10	
□	x.xx ± 0.25	
◇	x.x ± 0.30	
▲	ANGULAR ± ---°	

THIRD ANGLE PROJECTION

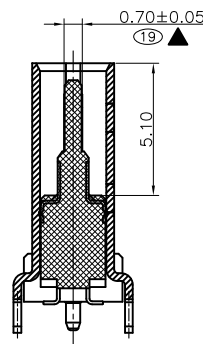
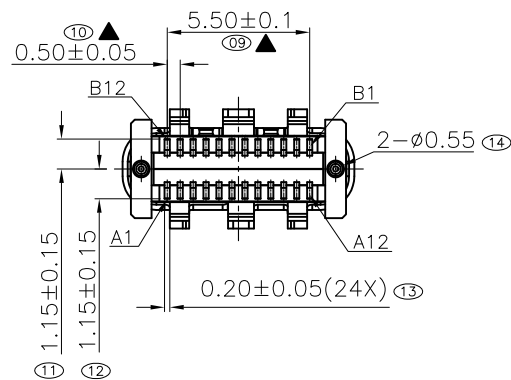
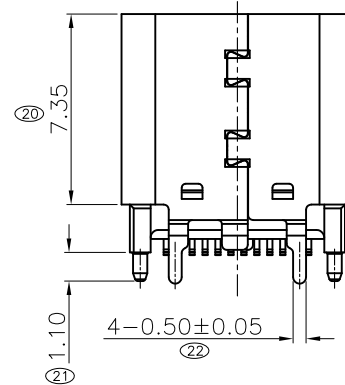
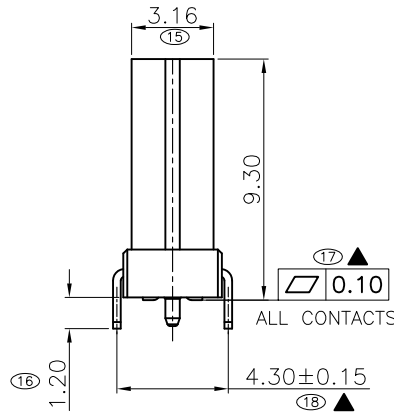
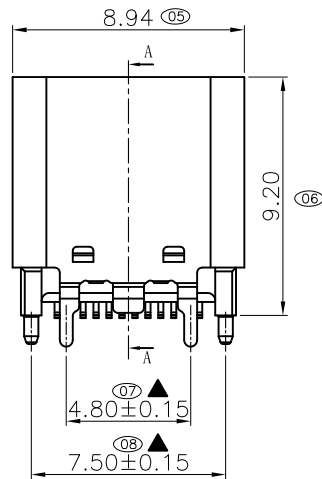
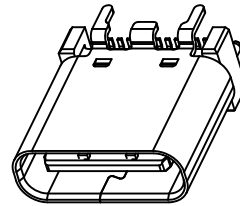
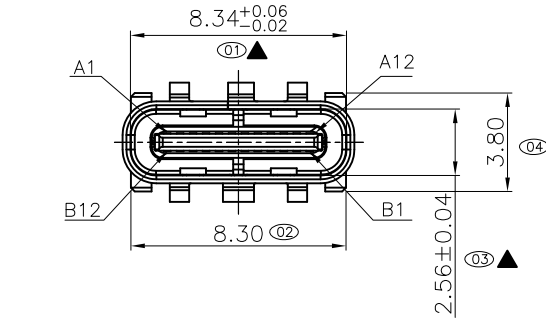
UNIT mm

SCALE 1:1

SHEET NO. 1 OF 2

DWG.NO. CF007-02

frame size: A4

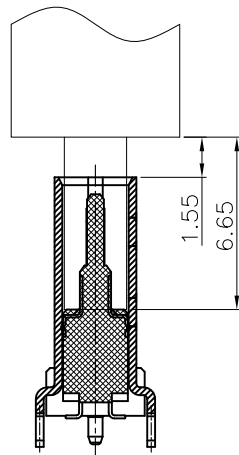
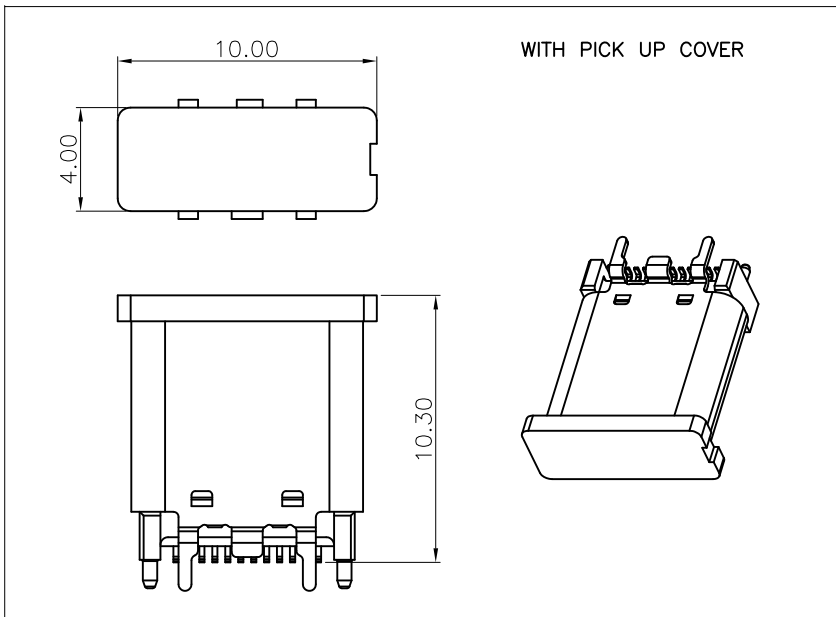


RoHS Compliant

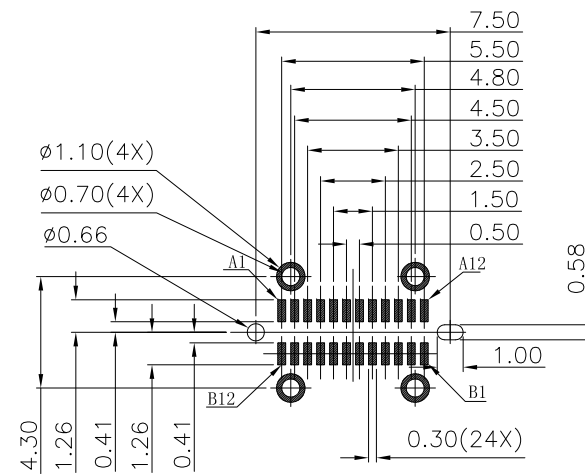
THIS DRAWING CONTAINS INFORMATION THAT IS PROPRIETARY TO ZDT TECHNOLOGY. AND SHOULD NOT BE USED WITHOUT WRITTEN PERMISSION

REV	ECN No.	DATE	REMARK
A	NEW	2019.11.21	NEW RELEASE
B	ECR230913-001	2023.09.15	1. 取消底部掏料孔 2. 整理图纸

TYPE C协会认证TID NO. 2726



AFTER MATING



RECOMMENDED PCB LAYOUT(TOP VIEW)
THICKNESS 1.5±0.10MM;DEFAULT TOLERANCE:±0.05

PIN DEFINITION:

PIN No.	A1	A2	A3	A4	A5	A6	A7	A8	A9	A10	A11	A12
	GND	TX1+	TX1-	VBus	CC1	D+	D-	SBU1	VBus	RX2-	RX2+	GND
PIN No.	B12	B11	B10	B9	B8	B7	B6	B5	B4	B3	B2	B1
	GND	RX1+	RX1-	VBus	SBU2	D-	D+	CC2	VBus	TX2-	TX2+	GND

PART NO.: SEE THE PART NUMBER CODE		深圳市中科兴达科技有限公司 SHENZHEN ZDT TECHNOLOGY CO., LTD		DRAWN BY: SAM	
QUALITY SYMBOL		GENERAL TOLERANCES		CHECKED BY: JAY	
		x.xxxx	± ---	APPROVED BY: JACKY	
		x.xxx	± 0.10	DWG.NO. CF007-02	
		x.xx	± 0.25	SHEET NO. 2 OF 2	
		x.x	± 0.30	THIRD ANGLE PROJECTION	
	ANGULAR	± ---°	UNIT mm	SCALE 1:1	