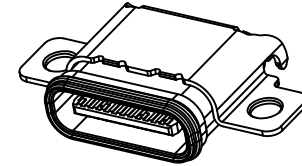
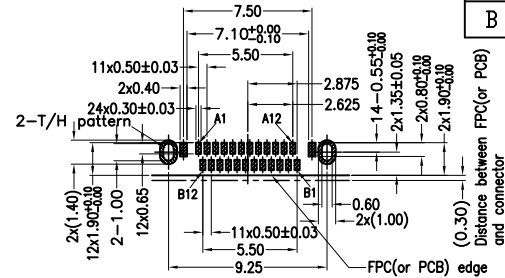
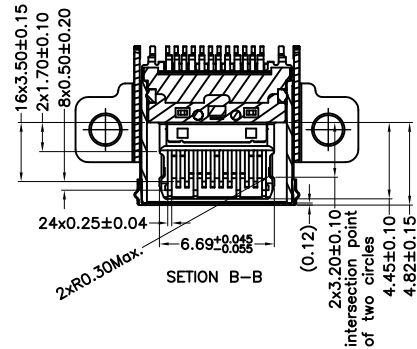
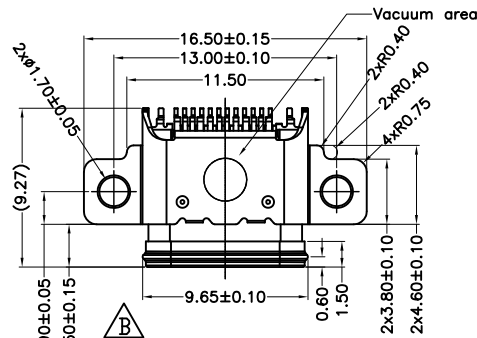


RoHS Compliant

THIS DRAWING CONTAINS INFORMATION THAT IS PROPRIETARY TO ZDT TECHNOLOGY, AND SHOULD NOT BE USED WITHOUT WRITTEN PERMISSION

REV	ECN No.	DATE	REMARK
A	NEW	2020.10.15	NEW RELEASE
B	ECR2205003	2022.05.31	依实物顶部两个点修改图纸相符



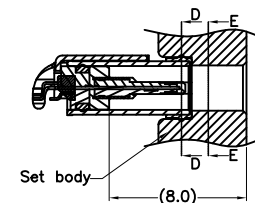
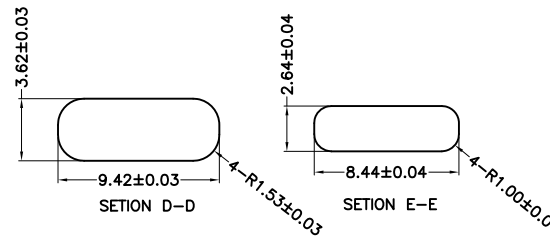
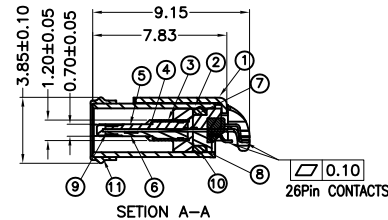
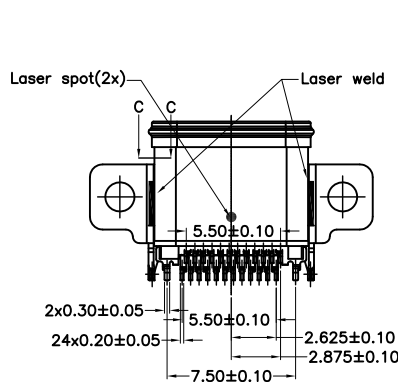
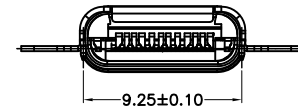
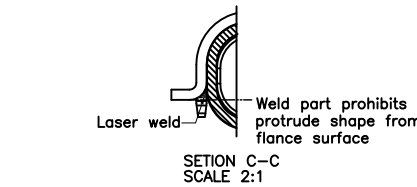
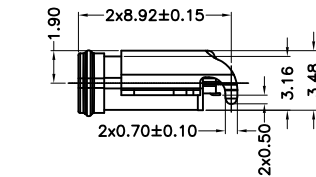
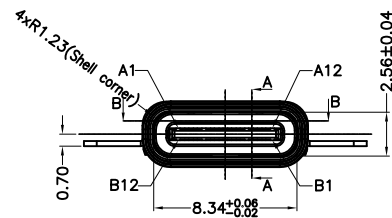
- Remark:**
- MECHANICAL PERFORMANCE,
 - 1-1.INSERTION FORCE: 5~20N.
 - 1-2.EXTRACTION FORCE: 8~20N INITIAL,6~20N AFTER TEST;
 - 1-3.DURABILITY: 10000 CYCLES.
 - ELECTRICAL PERFORMANCE,
 - 2-1. CURRENT RATING:5A MIN FOR VBUS,0.25A MIN FOR OTHERS VOLTAGE RATING: 20V MAX.
 - 2-2. LLCR: VBUS & GND PINS AND OTHER PINS: 40mΩ/PIN MAX.
 - 2-3.INSULATION RESISTANCE: 100MΩ MIN
 - 2-4.DIELECTRIC WITHSTAND VOLTAGE,AC 100V FOR 1 MINUTE.
 - The waterproof grade is IP68.
 - PIN DEFINITION:(Some GND pins(A1,A12,B1,B2) and Mid Plate may connect together.)

PART NUMBER CODE:(产品料号)

CF247-24SL X XX R-C3
(1)(2)

(1) HOUSING COLOR:
B:BLACK

(2) CONTACTS PLATED:
14:接触镀金15μ 焊接镀金1μ*



RECOMMENDED SET BODY SIDE HOLE SHAPE

Item	Title	Material	Dispose
1	Frame	SUS304, T=0.30	Ni:40u* Min.
2	Shell	SUS316, T=0.30	Ni:40u* Min.
3	GND Plate	SUS301, T=0.10	None
4	Mid Plate	SUS301, T=0.15	Ni 40u*Min.+Solder area: Au 1u*Min.
5	Top Contact	C18150, T=0.12	Mating Area: Ni 80u*+Au 15u* Min.
6	Bottom Contact	C18150, T=0.12	Solder Tails: Ni 80u*+Au 1u* Min.
7	Housing A	High Temperature Plastic	LCP UL 94V-0/Black
8	Housing B	High Temperature Plastic	LCP UL 94V-0/Black
9	Housing C	High Temperature Plastic	LCP UL 94V-0/Black
10	Rubber(O-ring)	Si	White or Gray
11	Rubber	Si	Black

PIN DEFINITION:

A1	A2	A3	A4	A5	A6	A7	A8	A9	A10	A11	A12
GND	TX1+	TX1-	VBUS	CC1	D+	D-	SBU1	VBUS	RX2-	RX2+	GND
GND	RX1+	RX1-	VBUS	SBU2	D-	D+	CC2	VBUS	TX2-	TX2+	GND
B12	B11	B10	B9	B8	B7	B6	B5	B4	B3	B2	B1

PART NO.:
SEE THE PART NUMBER CODE

ZDT 深圳市中科兴达科技有限公司
SHENZHEN ZDT TECHNOLOGY CO.,LTD

DRAWN BY: SAM DATE: 2022.05.31

QUALITY SYMBOL	GENERAL TOLERANCES (UNLESS SPECIFIED)
0	x.xxxxx ± ---
0	x.xxx ± 0.10
0	x.xx ± 0.25
0	x.x ± 0.30
0	ANGULAR ± ---°

TITLE	DWG.NO.	SHEET NO.
USB TYPE C 24PIN防水沉板C0.7带耳	CF247-24-C3	1 OF 1
DIMENSION STYLE	DESIGN UNITS	SCALE
MM ONLY	METRIC	1:1

CHECKED BY	DATE
JAY	2022.05.31
APPROVED BY	DATE
JACKY	2022.05.31



frame size: A4