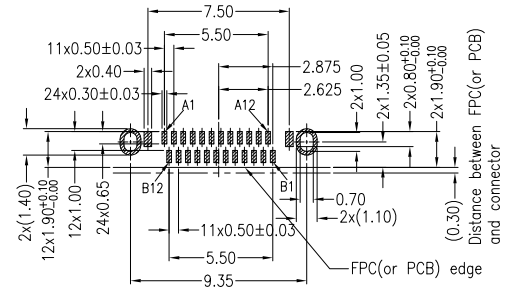
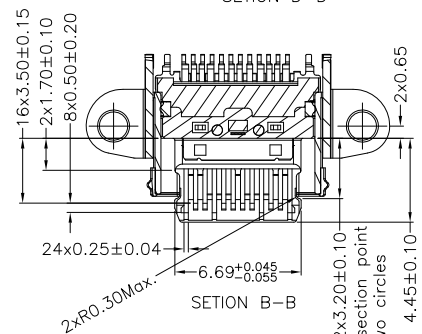
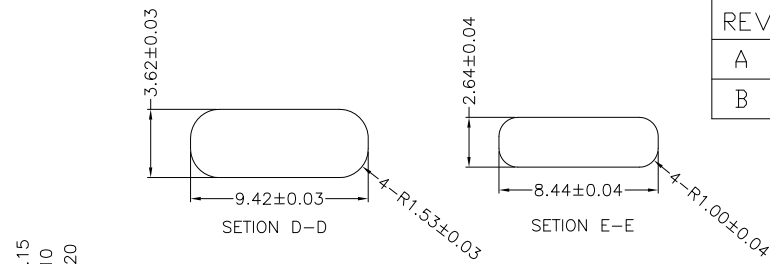
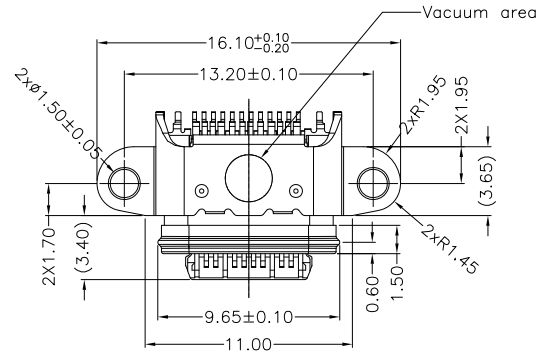


RoHS Compliant



THIS DRAWING CONTAINS INFORMATION THAT IS PROPRIETARY TO ZDT TECHNOLOGY, AND SHOULD NOT BE USED WITHOUT WRITTEN PERMISSION

REV	ECN No.	DATE	REMARK
A	NEW	2020.10.15	NEW RELEASE
B	ECR2205003	2022.05.31	依实物顶部两个点修改图纸相符

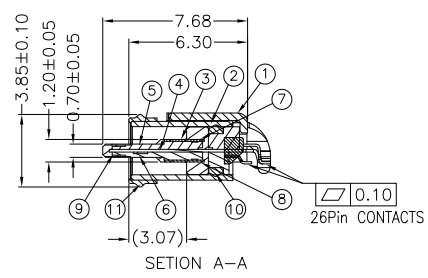
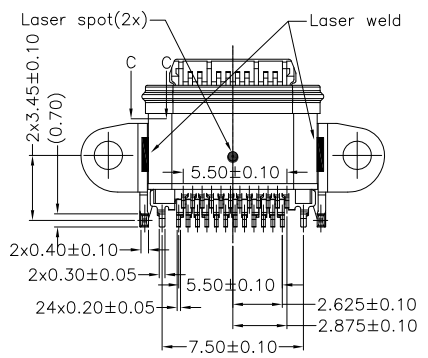
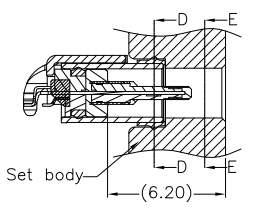
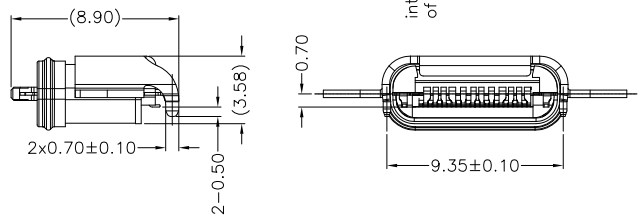
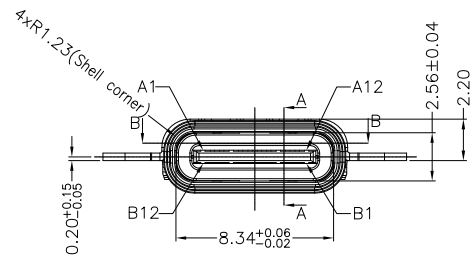


RECOMMENDED PCB LAYOUT  
DEFAULT TOLERANCE:±0.05

PART NUMBER CODE:(产品料号)  
CF246-24SL X XX R-C3  
(1)(2)

(1)HOUSING COLOR:  
B:BLACK  
(2)CONTACTS PLATED:  
14:接触镀金15u"焊接镀金1u"

Item	Title	Material	Dispose
1	Frame	Stainless Steel, T=0.40	Ni:40u" Min.
2	Shell	Stainless Steel, T=0.30	Ni:40u" Min.
3	GND Plate	Stainless Steel, T=0.10	None
4	Mid Plate	Stainless Steel, T=0.15	Ni 40u"Min.+Solder area: Au 1u"Min.
5	Top Contact	Copper Alloy, T=0.12	Mating Area: Ni 80u"+Au 15u" Min.
6	Bottom Contact	Copper Alloy, T=0.12	Solder Tails: Ni 80u"+Au 1u" Min.
7	Housing A	High Temperature Plastic	UL 94V-0/Black
8	Housing B	High Temperature Plastic	UL 94V-0/Black
9	Housing C	High Temperature Plastic	UL 94V-0/Black
10	Rubber(O-ring)	Si	Red
11	Rubber	Si	Black



Remark:  
1.The waterproof grade is IPX8.  
2.PIN DEFINITION:(Some GND pins(A1,A12,B1,B12) and Mid Plate may connect together.)

Mid Plate	A1	A2	A3	A4	A5	A6	A7	A8	A9	A10	A11	A12
GND	TX1+	TX1-	VBus	CC1	D+	D-	SBU1	VBus	RX2-	RX2+	GND	
GND	RX1+	RX1-	VBus	SBU2	D-	D+	CC2	VBus	TX2-	TX2+	GND	
	B12	B11	B10	B9	B8	B7	B6	B5	B4	B3	B2	B1

PART NO.:  
SEE THE PART NUMBER CODE

ZDT 深圳市中科兴达科技有限公司  
SHENZHEN ZDT TECHNOLOGY CO., LTD

DRAWN BY SAM DATE 2022.05.31

QUALITY SYMBOL	GENERAL TOLERANCES (UNLESS SPECIFIED)
0	x.xxxxx ±---
0	x.xxx ±0.10
0	x.xx ±0.25
0	x.x ±0.30
0	ANGULAR ±---

TITLE	DWG.NO.	SHEET NO.
USB TYPE C 24PIN防水沉板CHO.7带耳舌片外露	CF246-24-C3	1 OF 1
DIMENSION STYLE	DESIGN UNITS	SCALE
MM ONLY	METRIC	1:1

CHECKED BY JAY DATE 2022.05.31  
APPROVED BY JACKY DATE 2022.05.31

THIRD ANGLE PROJECTION

frame size: A4