

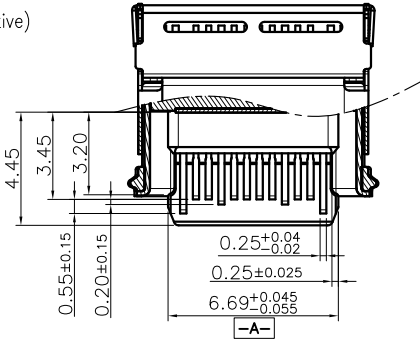
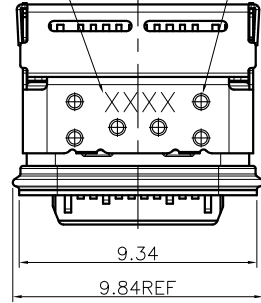
RoHS Compliant

THIS DRAWING CONTAINS INFORMATION THAT IS PROPRIETARY TO ZDT TECHNOLOGY. AND SHOULD NOT BE USED WITHOUT WRITTEN PERMISSION



REV	ECN No.	DATE	REMARK
A	NEW	2023.04.04	NEW RELEASE
B	NEW	2023.05.25	变更新料号WCF24004=>CFW24-008

Laser D/C Laser solder(positive and negative)



NOTES:

- MATERIAL:
 - 1-1.HOUSING: THORPLASTIC,UL94-V0,COLOR :BLACK
 - 1-2 THERMINAL:COPPER ALLOY,AU AT CONTACT AREA
 - 1-3.SHIELD&SOLDER PLATE: STAINLESS STEEL,NI PLATED
- ELECTRICAL CHARACTERIST;
 - 2-1.RATED VOLTAGE: AC 12V;
RATED CURRENT: VBUS AND GND CONTACTS RATED AT 5A
 - 2-2.CONTACT RESISTANCE(INITIAL): 40 mohms MAX;
AFTER TEST: CHANGE OF +10 mohms MAX;
 - 2-3.INSULATION RESISTANCE: 100M ohms MIN;
 - 2-4.DIELECTRIC WITHSTANDING VOLTAGE: 100V AC FOR 1 MINUTE;
- MECHANICAL CHARACTERIST;
 - 3-1.MATING DURABILITY: 10000 CYCLES;
 - 3-2.MATING FORCE: 35N MAX;
 - 3-3.UNMATING FORCE: 8N MIN;
- ENVIRONMENTAL:
 - 4-1.OPERATION TEMPERATURE: -30° TO +85°
 - 4-2.STORAGE TEMPERATURE RANGE: -40° TO +85°
- HARMFUL MATERIAL CONTROL PLEASE FOLLOW DOC.NO."HBC-QW-030", SHOULD BE COMPLIANCE TO REQUIREMENT ABOUT HF&RoHS&REACH.
- DATE CODE SPECIFICATIONS.

7.PART NUMBER CODE:

CF W 24 - 008 S N B XX R
(1)(2) (3) (4) (5) (6)

- Product type:
W:WATERPROOF
- Pin No.:
24:24Pin
- HOUSING MATERIALS:
N:NY46
- HOUSING COLOR:
B:BLACK
- CONTACTS PLATED:
12:AU 30"
14:AU 150"
15:AU 300"
- PACKING OPTIONS
R:TAPE & REEL

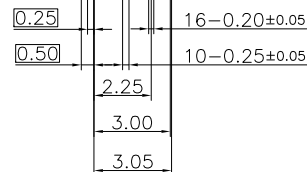
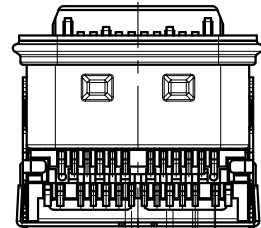
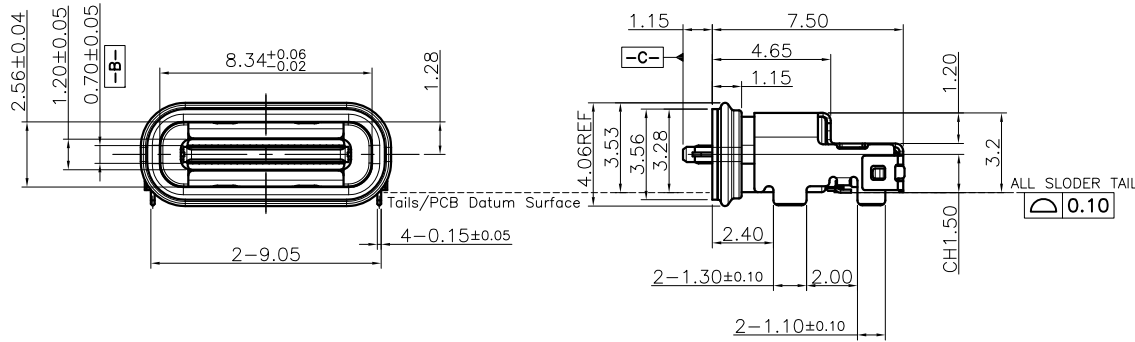


TABLE OF REFERENCE NUMBER:

NO.	PART NO.	REMARKS	PACKING
3	CFW24-008SNB15R	PA46 BLACK Au30u"	TAPE & REEL
2	CFW24-008SNB14R	PA46 BLACK Au15u"	TAPE & REEL
1	CFW24-008SNB12R	PA46 BLACK Au3U"	TAPE & REEL

Item	PART NAME	QTY	Material	Treatment
8	GLUE	1	SILICONE	Black
7	CONTACT	1	Copper alloy C18400	Plating Ni 30u" min. over all Au plating on contact area Plating 1u" Min. Au at solder area;
6	CLAMP	2	SUS301	Cleaning
5	I/M HOUSING	1	Thermoplastic PA46	Black UL94V-0
4	PLATE	1	SUS301	Under plating Ni 50u" min. over all. Plating 50~150u" solderable nickel at solder area
3	SHELL	1	SUS304	Cleaning
2	O-RING	1	SILICONE	N/A
1	CLIP	1	SUS301	plating Ni 10u"~50u" min. over all. Plating 20u"~50u"solderable nickel at solder area;

PART NO.:

SEE THE PART NUMBER CODE

QUALITY SYMBOL	GENERAL TOLERANCES	TITLE
0	x.xxxx ± ---	USB CF 24P WATERPROOF IPX7 CH1.5(K0)
▽	x.xxx ± 0.10	
0	x.xx ± 0.15	
0	x.x ± 0.20	
▲	ANGULAR ± ---°	

ZDT 深圳市中兴科达科技有限公司
SHENZHEN ZDT TECHNOLOGY CO., LTD

THIRD ANGLE PROJECTION UNIT mm SCALE 1:1 SHEET NO. 1 OF 3

DRAWN BY: SAM
CHECKED BY: JAY
APPROVED BY: JACKY
DWG.NO. CFW24-008

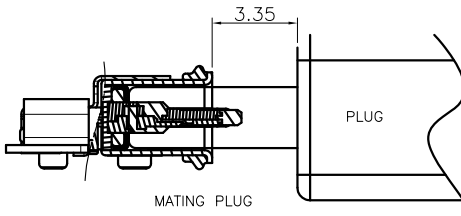
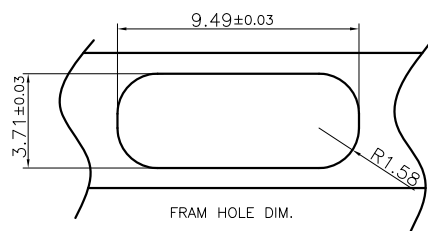
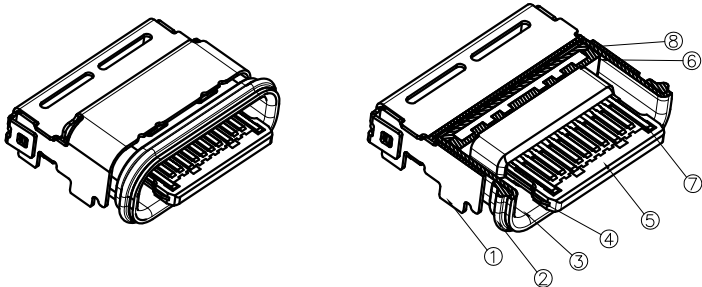
frame size: A4

RoHS Compliant

THIS DRAWING CONTAINS INFORMATION THAT IS PROPRIETARY TO ZDT TECHNOLOGY. AND SHOULD NOT BE USED WITHOUT WRITTEN PERMISSION

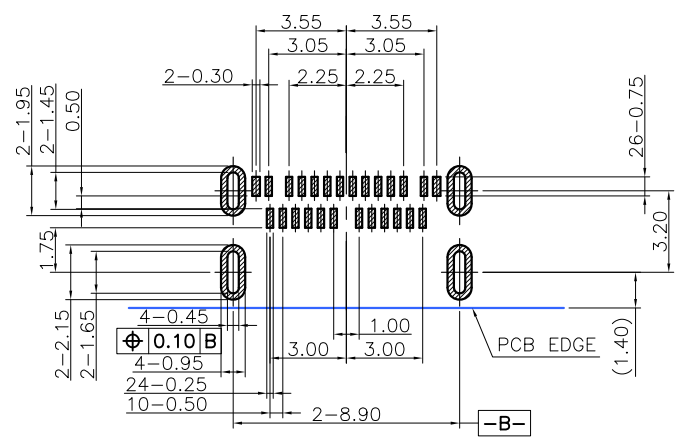


REV	ECN No.	DATE	REMARK
A	NEW	2023.04.04	NEW RELEASE
B	NEW	2023.05.25	变更新料号WCF24004=>CFW24-008

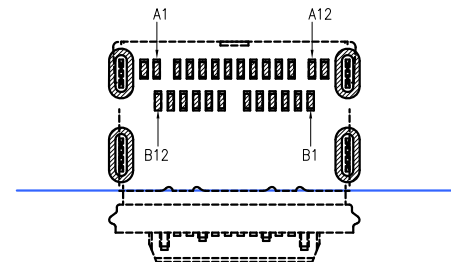


PIN DEFINITION:

PIN No.	A1	A2	A3	A4	A5	A6	A7	A8	A9	A10	A11	A12
	GND	TX1+	TX1-	VBus	CC1	D+	D-	SBU1	VBus	RX2-	RX2+	GND
PIN No.	B12	B11	B10	B9	B8	B7	B6	B5	B4	B3	B2	B1



RECOMMENDED PCB PAD LAYOUT
TOLERANCE:0.05mm



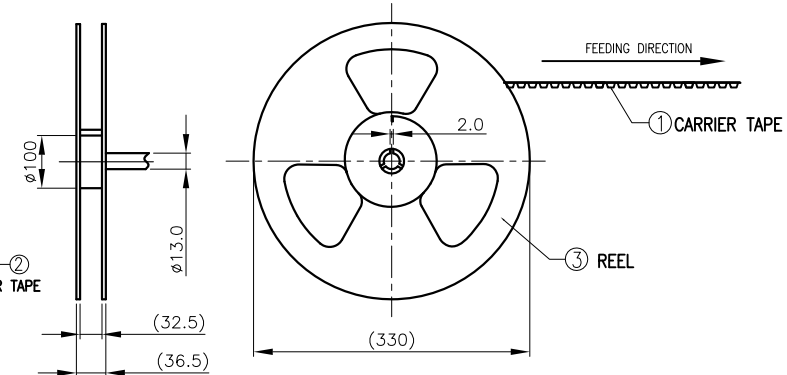
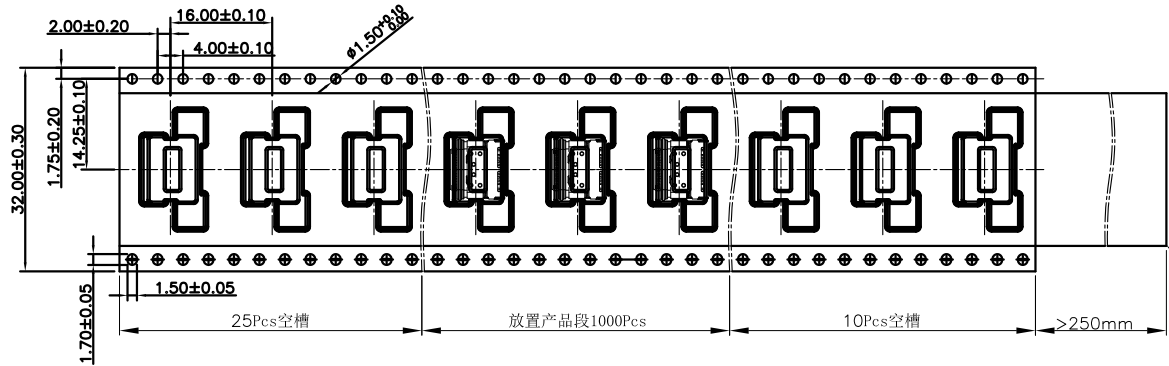
PART NO.: SEE THE PART NUMBER CODE		ZDT 深圳市中科兴达科技有限公司 SHENZHEN ZDT TECHNOLOGY CO., LTD		DRAWN BY: SAM	
QUALITY SYMBOL		GENERAL TOLERANCES		TITLE	
		x.xxxx	± ---	USB CF 24P WATERPROOF IPX7 CH1.5(K0)	
		x.xxx	± 0.10	THIRD ANGLE PROJECTION	
		x.xx	± 0.15	UNIT	SCALE
		x.x	± 0.20	mm	1:1
	ANGULAR	± ---*	SHEET NO.	2 OF 3	DWG.NO. CFW24-008

frame size: A4

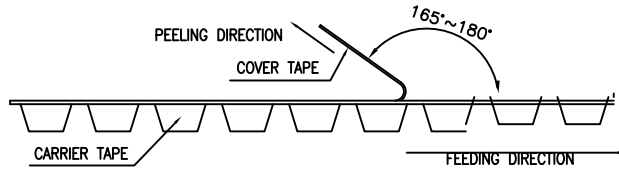
RoHS Compliant

THIS DRAWING CONTAINS INFORMATION THAT IS PROPRIETARY TO ZDT TECHNOLOGY. AND SHOULD NOT BE USED WITHOUT WRITTEN PERMISSION

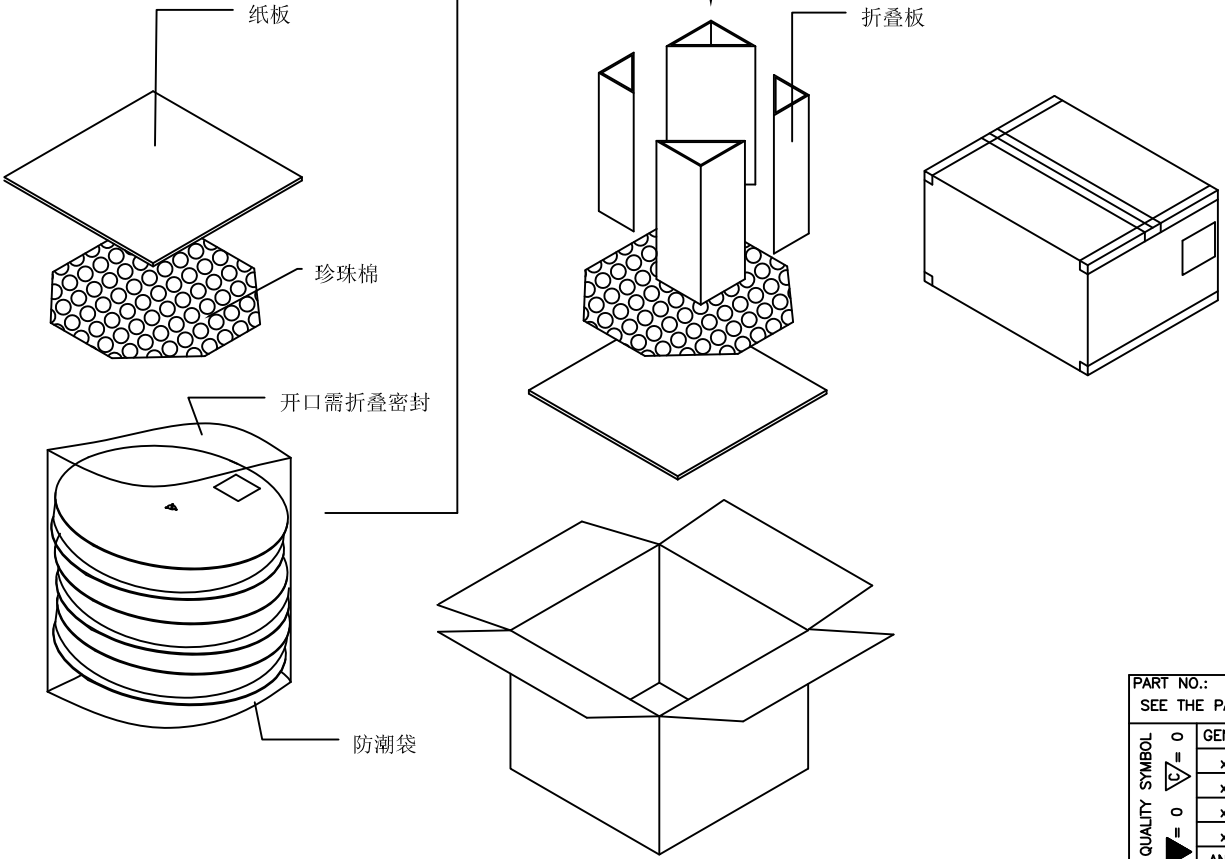
REV	ECN No.	DATE	REMARK
A	NEW	2023.04.04	NEW RELEASE
B	NEW	2023.05.25	变更新料号WCF24004=>CFW24-008



NOTES:
 1, POCKET HOLE PITCH CLUMATIVE TOLERANCE ± 0.40 mm
 2, COVER TAPE PEELING STRENGTH : 30~100gf AT 300mm/MIN



3, Packaging capacity:
 1000pcs/REEL; 8REEL/CARTON ; TOTAL: 8000PCS/CARTON
 4, Packaging Use Attention:
 NOT TWISTED OVER 90° WITHIN 1000mm.



NO.	NAME	SPEC.	REMARK
①	成品	24pin 防水TYPE C	8000PCS/箱
②	下带(载带)	PS料透明状,W=32mm,P=16mm,T=0.35mm,	
③	上带(盖带)	W=25.5mm,T=0.06mm,透明状	
④	REEL(蓝色卷盘)	外直径330mm,内直径100mm	8PCS
⑤	三角柱		4PCS
⑥	隔板	330*330*5mm	2PCS
⑦	CARTON (外箱)	330*330*320mm	1PCS
⑧	防水袋	600*390*800mm,白色	1PCS
⑨	干燥剂		2PCS

PART NO.: SEE THE PART NUMBER CODE		ZDT 深圳市中兴兴达科技有限公司 SHENZHEN ZDT TECHNOLOGY CO., LTD		DRAWN BY: SAM	
QUALITY SYMBOL	○	GENERAL TOLERANCES		CHECKED BY: JAY	
	△	x.xxxxx	± ---	APPROVED BY: JACKY	
	▽	x.xxx	± 0.10	DWG.NO. CFW24-008	
	◇	x.xx	± 0.15	frame size: A4	
	◀	x.x	± 0.20		
	ANGULAR	± ---°			
		TITLE USB CF 24P WATERPROOF IPX7 CH1.5(K0)		THIRD ANGLE PROJECTION	
		UNIT mm		SCALE 1:1	
		SHEET NO. 3 OF 3			