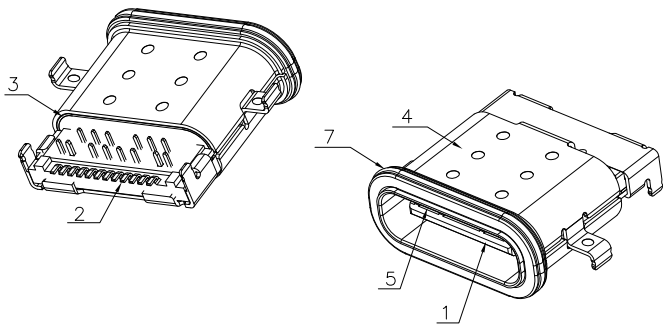
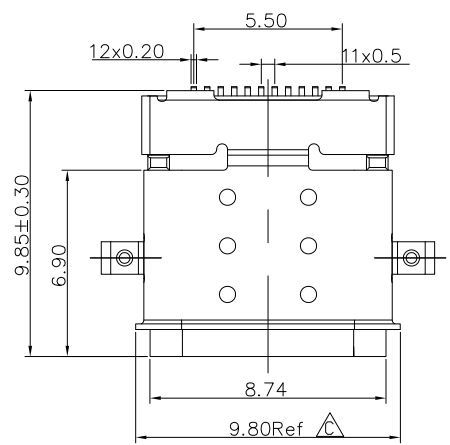


RoHS Compliant

THIS DRAWING CONTAINS INFORMATION THAT IS PROPRIETARY TO ZDT TECHNOLOGY, AND SHOULD NOT BE USED WITHOUT WRITTEN PERMISSION

REV	ECN No.	DATE	REMARK
A	NEW	2018.03.22	NEW RELEASE
B	---	2021.01.08	依实物变更拆防水圈与产品视图
C	ECR2205002	2022.05.25	依实物尺寸变更公差
D	ECR20230328-001	2023.03.28	改善平整度不良, 修改铆压胶芯接触位置



SPECIFICATION:

- ELECTRICAL:
  - Contact current rating: 5A(Max)
  - Contact rated voltage: 30VAC
  - Contact resistance: initial: Power Pin 30mohm max, other contacts Pin40mohm max, after durability: change of +10mohm
  - Insulation resistance: 100 Mohm Min
  - Withstanding strength: 100V AC For 1Minute
- MATERIAL & Finish:
  - Shell : Sus304, 50U" NI plating over all.
  - Contact: C7025, 3U"min Au plating on contact area, 30 U" Tin(min) plating on solder area(DIP contact), 1U" Au plating on solder area(SMT contact), NI 30U"min under plating over all.
- MECHANICAL CHARACTERISTICS:
  - MATING FORCE: 5~20N
  - UNMATING FORCE: 8~20N(INITIAL), 6~20N(AFTER 10000 CYCLES)
  - FREQUENCY: 200±50 CYCLES /HOUR, 10000 CYCLES
  - OPERATING TEMPERATURE ; -40~80°.
- WATERPROOF: IP-X7.

5. PART NUMBER CODE:

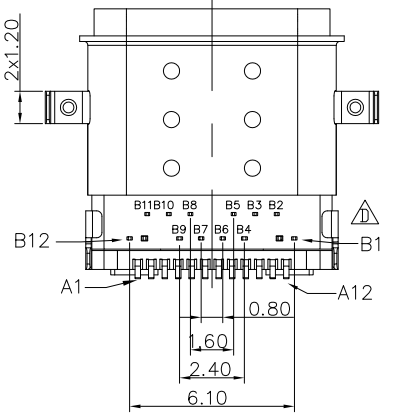
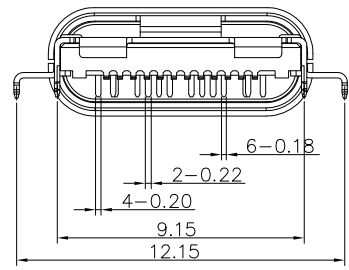
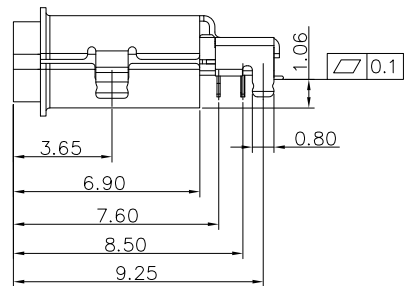
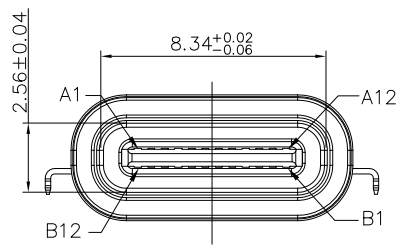
CF140 - 22 N B XX R - 22  
(1) (2)

(1) HOUSING COLOR:

B: BLACK

(2) CONTACTS PLATED:

O1: 半金錫U"



USB TYPE-C PIN ASSIGNMENTS

PIN NUMBER	SIGNAL NAME	PIN NUMBER	SIGNAL NAME
A1	GND	B12	GND
A2	SSTXp1	B11	SSRXp1
A3	SSTXn1	B10	SSRXn1
A4	Vbus	B9	Vbus
A5	CC1	B8	SBU2
A6	Dp1	B7	Dn2
A7	Dn1	B6	Dp2
A8	SBU1	B5	CC2
A9	Vbus	B4	Vbus
A10	SSRXn2	B3	SSTXn2
A11	SSRXp2	B2	SSTXp2
A12	GND	B1	GND

PART NO.:  
SEE THE PART NUMBER CODE

深圳市中科兴达科技有限公司  
SHENZHEN ZDT TECHNOLOGY CO., LTD

DRAWN BY: SAM DATE: 2023.03.28

CHECKED BY: JAY DATE: 2023.03.28

APPROVED BY: JACKY DATE: 2023.03.28

QUALITY SYMBOL	GENERAL TOLERANCES (UNLESS SPECIFIED)	
	x.xxxxx	± ---
	x.xxx	± 0.10
	x.xx	± 0.25
x.x	± 0.30	
ANGULAR	± ---°	

TITLE USB 3.1 TYPE-C前插后贴沉板1.06四脚插板防水款		DWG.NO. CF140-24-22	SHEET NO. 1 OF 3
DIMENSION STYLE MM ONLY	DESIGN UNITS METRIC	SCALE 1:1	

TABLE A

NO.	DESCRIPTION	MATERIAL	FINISH PLANTED	QTY	REMARKS
7	RING	SILICON	蓝色	1PCS	
6	MID-PLANT	STAINLESS STEEL	---	1PCS	
5	GND-PLANT	STAINLESS STEEL	NI/SN Plated	1PCS	
4	SHELL	STAINLESS STEEL	---	1PCS	
3	INNER SHELL	STAINLESS STEEL	NI Plated	1PCS	
2	CONTACT	COPPER ALLOY	Au/Ni Plated	2SET	
1	HOUSING	HIGH TEMPERATURE PLASTIC	PA9T BLACK	1PCS	

THIRD ANGLE PROJECTION

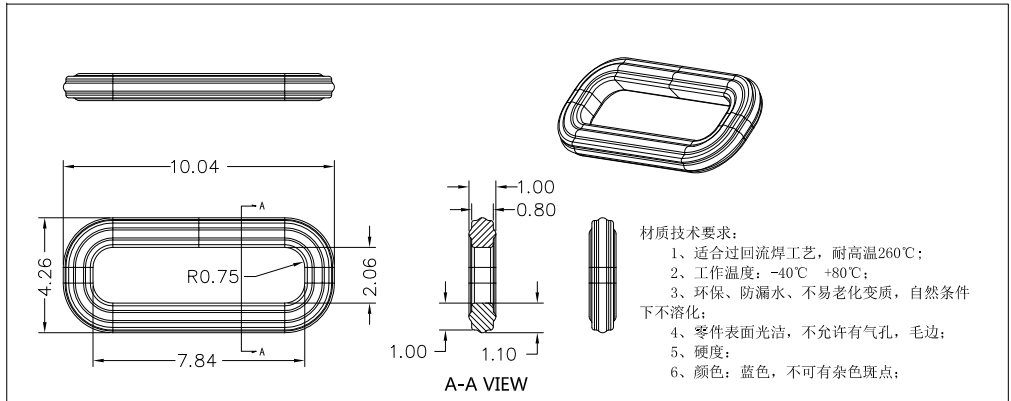
frame size: A4

RoHS Compliant

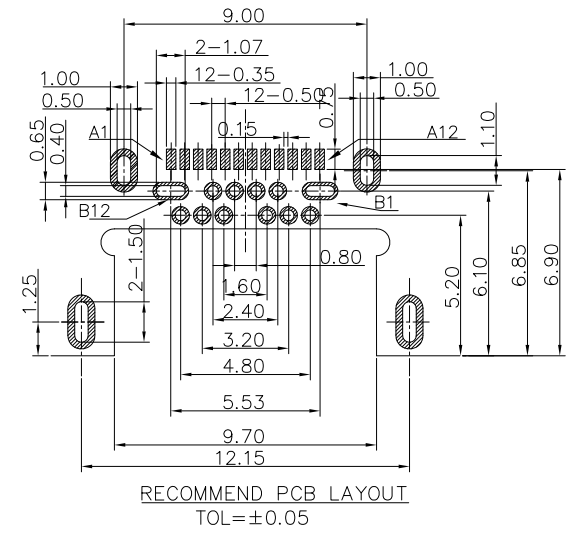
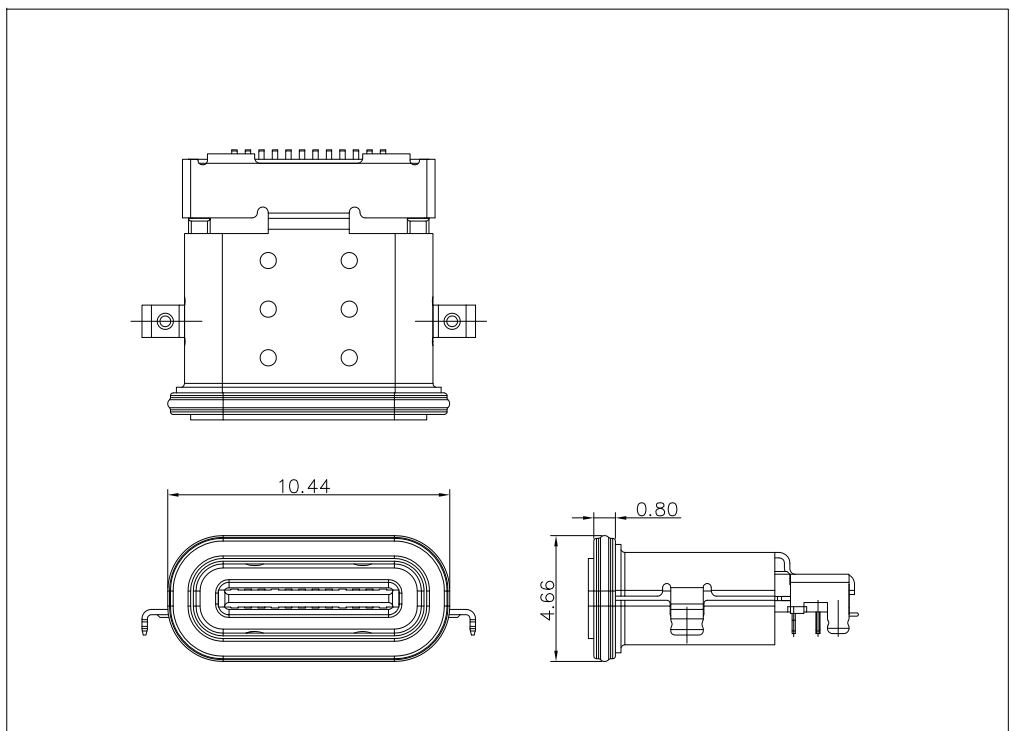
THIS DRAWING CONTAINS INFORMATION THAT IS PROPRIETARY TO ZDT TECHNOLOGY, AND SHOULD NOT BE USED WITHOUT WRITTEN PERMISSION

REV	ECN No.	DATE	REMARK
A	NEW	2018.03.22	NEW RELEASE
B	---	2021.01.08	依实物变更拆分防水圈与产品视图
C	ECR2205002	2022.05.25	依实物尺寸变更公差
D	ECR20230328-001	2023.03.28	改善平整度不良, 修改铆压胶芯接触位置

防水圈尺寸示意图



装防水圈后尺寸示意图



PART NO.: SEE THE PART NUMBER CODE		<b>ZDT</b> 深圳市中科兴达科技有限公司 SHENZHEN ZDT TECHNOLOGY CO., LTD		DRAWN BY SAM	DATE 2023.03.28	
QUALITY SYMBOL = 0 ∇ = 0	GENERAL TOLERANCES (UNLESS SPECIFIED)		TITLE USB 3.1 TYPE-C前插后贴沉板1.06四脚插板防水款			
	x.xxxxx	± ---	DWG.NO. CF140-24-22	SHEET NO. 2 OF 3	CHECKED BY JAY	DATE 2023.03.28
	x.xxx	± 0.10			APPROVED BY JACKY	DATE 2023.03.28
	x.xx	± 0.25				
	x.x	± 0.30				
ANGULAR	± ---°	DIMENSION STYLE MM ONLY	DESIGN UNITS METRIC	SCALE 1:1	THIRD ANGLE PROJECTION	

