

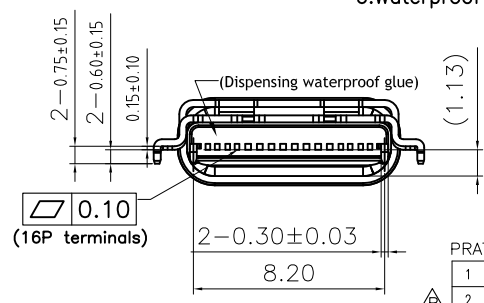
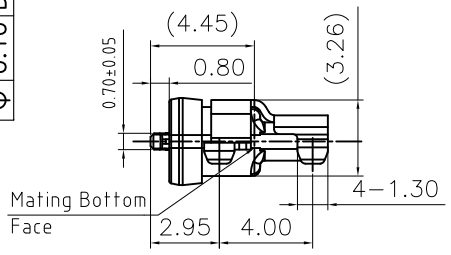
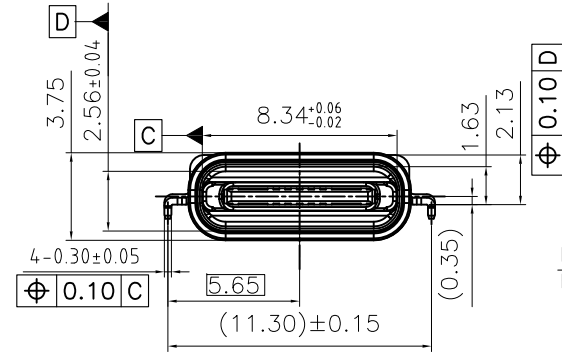
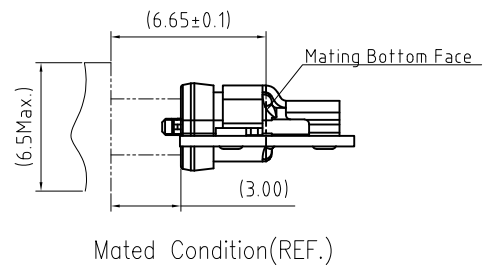
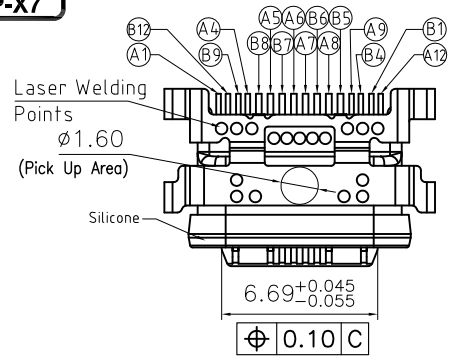
RoHS Compliant 

THIS DRAWING CONTAINS INFORMATION THAT IS PROPRIETARY TO ZDT TECHNOLOGY, AND SHOULD NOT BE USED WITHOUT WRITTEN PERMISSION



REV	ECN No.	DATE	REMARK
A	NEW	2022.11.01	NEW RELEASE
B	---	2023.09.07	增加真空包装规格
C	---	2023.09.25	增加硬度规格描述

- NOTES:
- ELECTRICAL CHARACTERISTICS:
    - CONTACT CURRENT RATING:5A
    - CONTACT RATED VOLTGE:5/20V DC;
    - CONTACT RESISTANCE:
      - INITIAL: 40mohm Max. AFTER:  $\Delta < 10$ mohm
    - INSULATION RESISTANCE:100Mohm Min;
    - WITHSTANDING STRENGTH:100V AC FOR 1 MINUTE;
  - MECHANICAL CHARACTERISTICS:
    - INSERTION FORCE:INITIAL 6-20N ; AFTER 5-20N;
    - EXTRACTION FORCE:NTIAL 8-20N; AFTER 6-20N;
    - DURABILITY:10000 CYCLES
  - RoHS OR HF COMPLIANT
  - ENVIRONMENTAL PERFORMANCE:
    - OPERATING TEMPERATURE:-20°C~ +85°C.
  - RECOMMENDED PROCESS:
    - THE PEAK TEMPERATURE ON THE BOARD SHALL MAINTAIN 10±1 SECONDS AT 260±5°C.
  - Waterproof Level:IPX7



PRAT NO.

1	CF190-16SCB12R-02	Au 3u"	TAPE & REEL
2	CF190-16SCB12VR-02	Au 3u"	TAPE & REEL+Vacuum packaging
NO.	PART NO.	Contact Area Plating	PACKING

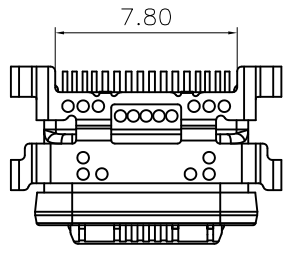
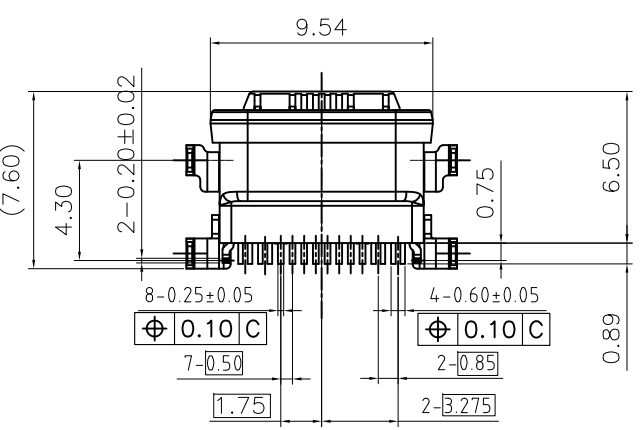
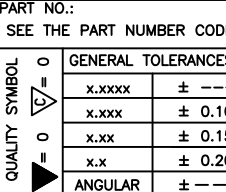


TABLE:

ITEM	NAME	Q'TY	MATERIAC	FINISH
H	LIM	1	Silicone Hardness 60A	UL94V-0, BLACK
G	GLUE	1	Silicone	UL94V-0
F	OUTER SHELL	1	Stainless Steel,SUS304 T=0.30	OVER ALL:50u" Min Ni UNDERPLATED SOLDER TAIL:G/F Au PLATED
E	INNER SHELL	1	Stainless Steel,SUS316L T=0.20	CLEAN
D	SOLDER-PLATE	1	Stainless Steel,SUS304 T=0.15	CLEAN
C	HOUSING	1	High-Temp Plastics PA9T	UL94V-0,Color:Black.
B	MID-PLATE	1	Stainless Steel,SUS301 T=0.20	OVER ALL:50u" Ni UNDERPLATED
A	CONTACTS	16	Copper Alloy C18400 T=0.25mm	CONTACT AREA: Au 3u" Min SOLDER TAIL: G/F OVER ALL: 50u" Min Ni UNDERPLATED

PART NO.: SEE THE PART NUMBER CODE

**ZDT** 深圳市中科兴达科技有限公司  
SHENZHEN ZDT TECHNOLOGY CO., LTD

QUALITY SYMBOL: 

GENERAL TOLERANCES:

x.xxxxx	± ---
x.xxx	± 0.10
x.xx	± 0.15
x.x	± 0.20
ANGULAR	± ---°

TITLE: USB Type-C Receptacle 16pin Waterproof IPX7 Mid-Mount 1.13mm, Exposed Tongue 0.8mm

THIRD ANGLE PROJECTION

UNIT: mm

SCALE: 1:1

SHEET NO.: 1 OF 2

DWG.NO.: CF190-16-02

DRAWN BY: SAM

CHECKED BY: JAY

APPROVED BY: JACKY

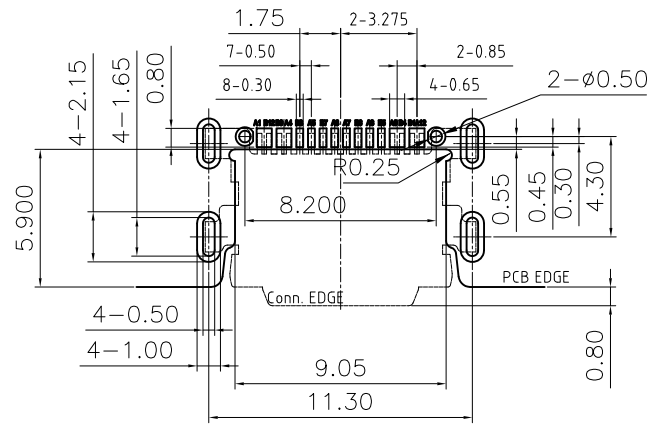
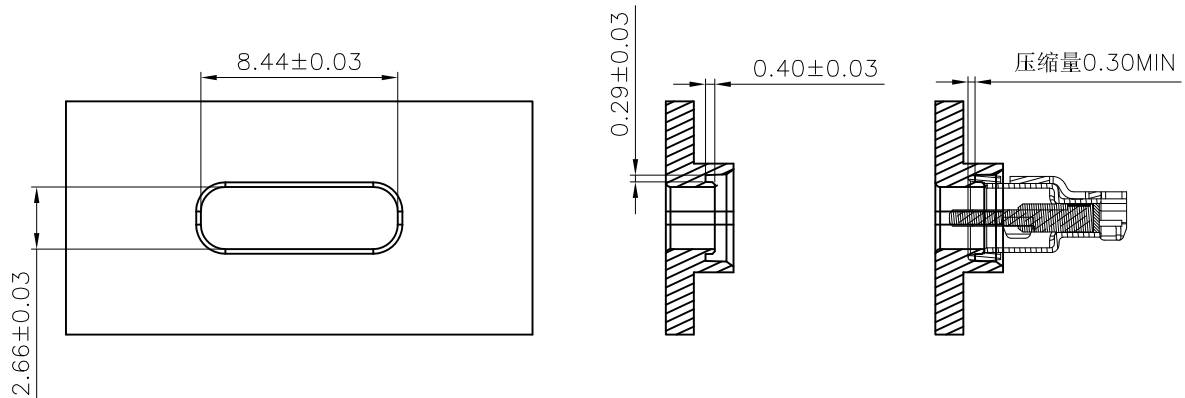
RoHS Compliant 

THIS DRAWING CONTAINS INFORMATION THAT IS PROPRIETARY TO ZDT TECHNOLOGY. AND SHOULD NOT BE USED WITHOUT WRITTEN PERMISSION

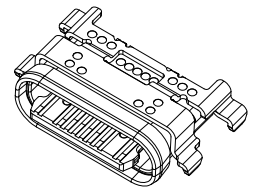


REV	ECN No.	DATE	REMARK
A	NEW	2022.11.01	NEW RELEASE
B	---	2023.09.07	增加真空包装规格
C	---	2023.09.25	增加硬度规格描述

Recommended sealing method



RECOMMENDED PCB LAYOUT  
TOLERANCE:±0.05  
STENCIL THICKNESS:0.12mm



Finished Product 3D

Pin Assignments

Contact Number	Signal Name	Contact Number	Signal Name
A1	GND	B12	GND
A4	VBUS	B9	VBUS
A5	CC1	B8	SBU2
A6	Dp1	B7	Dn2
A7	Dn1	B6	Dp2
A8	SBU1	B5	CC2
A9	VBUS	B4	VBUS
A12	GND	B1	GND

PART NO.: SEE THE PART NUMBER CODE		<b>ZDT</b> 深圳市中科兴达科技有限公司 SHENZHEN ZDT TECHNOLOGY CO., LTD		DRAWN BY: SAM	
QUALITY SYMBOL	0	GENERAL TOLERANCES		CHECKED BY: JAY	
	x.xxxx	±	---	APPROVED BY: JACKY	
	x.xxx	±	0.10	DWG.NO. CF190-16-02	
	x.xx	±	0.15	SHEET NO. 2 OF 2	
	x.x	±	0.20	frame size: A4	
ANGULAR	±	---	THIRD ANGLE PROJECTION	UNIT mm	SCALE 1:1