

RoHS Compliant

THIS DRAWING CONTAINS INFORMATION THAT IS PROPRIETARY TO ZDT TECHNOLOGY. AND SHOULD NOT BE USED WITHOUT WRITTEN PERMISSION

REV	ECN No.	DATE	REMARK
A	NEW	2020.09.01	NEW RELEASE

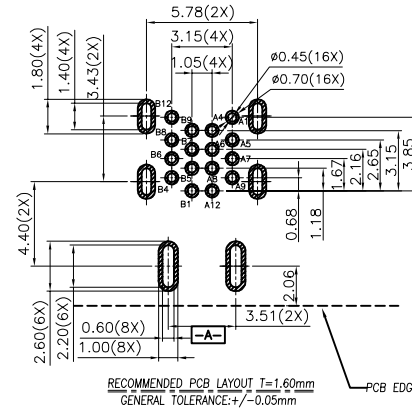
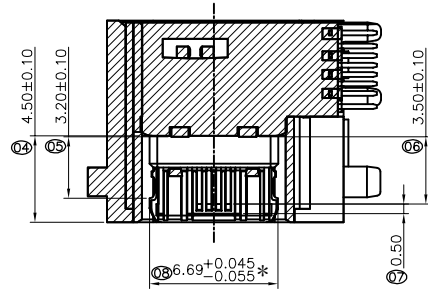
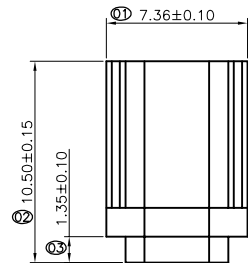
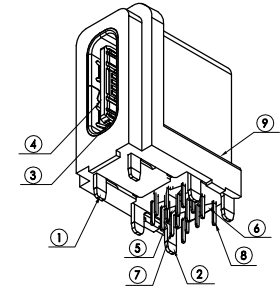
NOTE:

- Electrical Characteristics:
 - 1-1: Current Rating: 5A For Pin(A4,A9,B4,B9)
1.25A For Pin(B5)
0.25A For Others Pin
 - 1-2: VOLTAGE RATING:20V
 - 1-3: Insulation Resistance: 100MΩ Min.
 - 1-4: Contact Resistance:
VBUS & GND PINS AND OTHER PINS: 40mΩ/PIN MAX.
SHIELD:50mΩ/MAX.
SHIELD:LLCR MAX. CHANGE OF ALL PINS: 10mΩ.
 - 1-5: Dielectric Withstanding Voltage: 100V/AC 1Minute
- Mechanical Characteristics:
 - Insertion Force: 5~20N
 - Extraction Force: Initial: 8~20N
 - After durability: 6~20N
 - Durability :10000 Cycles
- Operating Temperature: -25°C TO +85°C

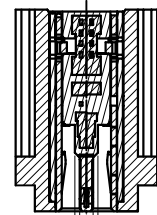
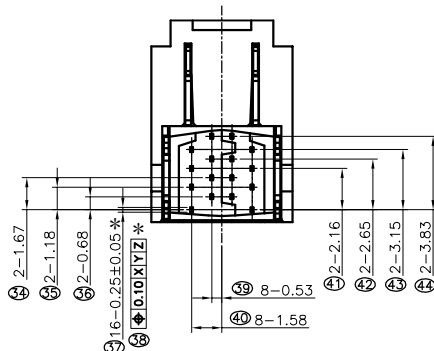
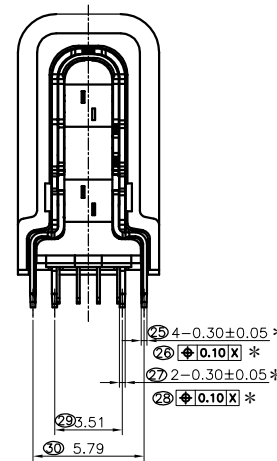
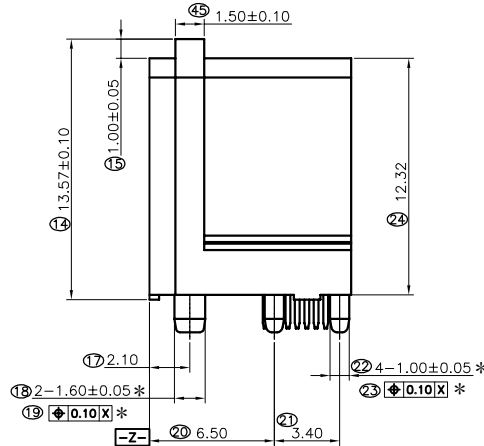
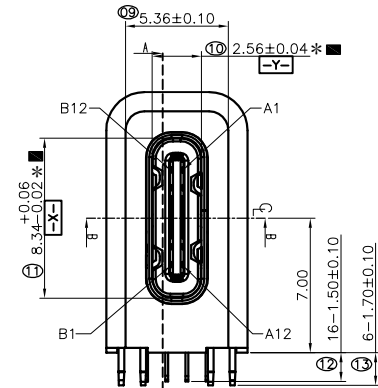
- 防水等级IPX4
- 注: 带“*”号的为重点管控尺寸
“XX”为尺寸编码

6.PART NUMBER CODE:(产品料号)
CF272-16 X X XX X-68
(1) (2)(3) (4)

- HOUSING MATERIAL:
L:LCP
- HOUSING COLOR:
B:BLACK
- CONTACTS PLATED:
11:金金1u"
- PACKING OPTIONS
R:TAPE & REEL
T:TRAY



RECOMMENDED PCB LAYOUT T=1.60mm
GENERAL TOLERANCE: +/-0.05mm



PIN ASSIGNMENT											
A1	A2	A3	A4	A5	A6	A7	A8	A9	A10	A11	A12
GND			VBUS	CC1	Dp1	Dn1	SBU1	VBUS			GND
GND			VBUS	SBU2	Dn2	Dp2	CC2	VBUS			GND
B12	B11	B10	B9	B8	B7	B6	B5	B4	B3	B2	B1

9	Jacket	1	LCP E130i,UL94 V-0	Black	
8	Up Terminal	12	C7025-TM02,T=0.15	Contact Area:Pd Ni 0.30um Min, Au Solder Area:Au 0.05um Min Ni 2.0-5.0um over all	
7	Down Terminal	12			
6	Up Moding	1	LCP E130i,UL94 V-0	Black	
5	Down Moding	1			
4	Second Moding	1	SUS301-H,T=0.20	Ni 1.0-5.0um Underplating	
3	中夹片	1			
2	内壳	1	SUS304-3/4H,T=0.30	Ni 1.0-5.0um Underplating	
1	外壳	1	SUS304-3/4H,T=0.30	Ni 1.0-5.0um Underplating	
N.O.	NAME	QT	Y	MATERIAL	PLATING

PART NO.:
SEE THE PART NUMBER CODE

ZDT 深圳市中兴兴达科技有限公司
SHENZHEN ZDT TECHNOLOGY CO., LTD

DRAWN BY: SAM
DATE: 2020.09.01

QUALITY SYMBOL	GENERAL TOLERANCES (UNLESS SPECIFIED)	± ---
	x.xxxx	± 0.10
	x.xxx	± 0.20
	x.xx	± 0.30
	x.x	± ---
ANGULAR	± ---	

TITLE: Type C Female16Pin CH7.0防水 45W 侧立式

CHECKED BY: JAY
DATE: 2020.09.01

DWG.NO.: CF272-16-68

SHEET NO.: 1 OF 1

APPROVED BY: JACKY
DATE: 2020.09.01

DIMENSION STYLE: MM ONLY

DESIGN UNITS: METRIC

SCALE: 1:1

THIRD ANGLE PROJECTION

frame size: A4