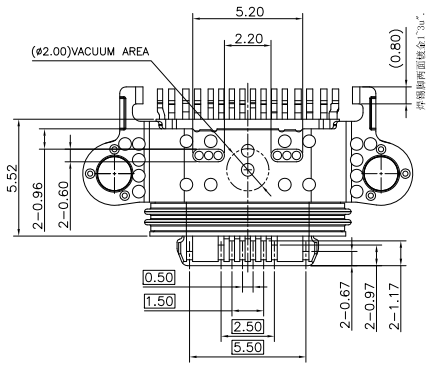
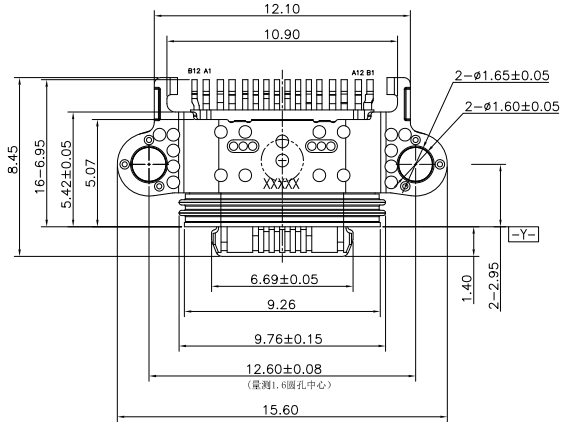


REV	ECN No.	DATE	REMARK
A	NEW	2020.12.15	NEW RELEASE

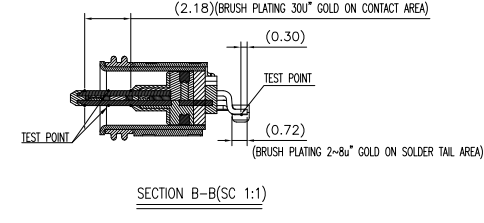
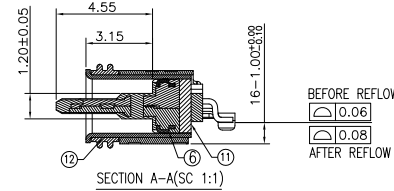
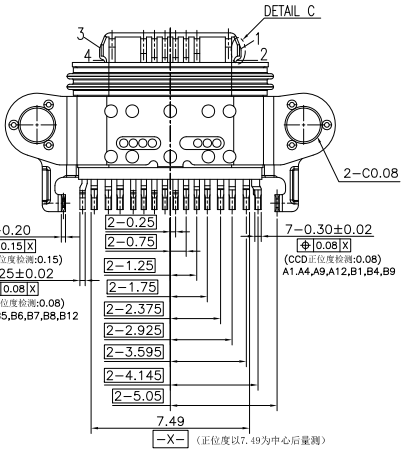
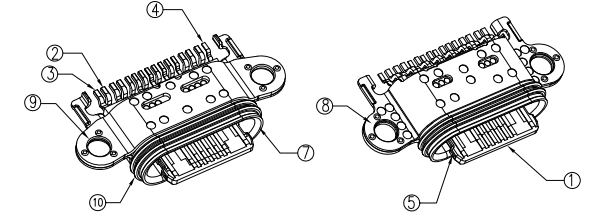
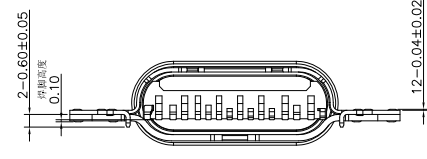
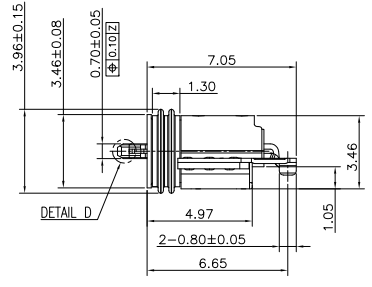
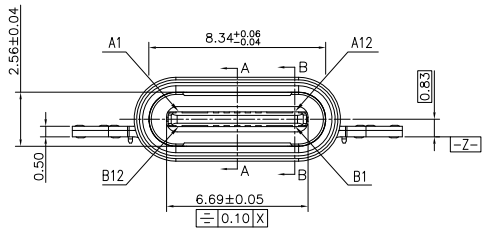


- NOTES 1:
- ELECTRICAL CHARACTERISTICS:
 - CURRENT RATING: VBUS AND GND CONTACTS RATED AT 2.5A MAX., PARALLELED FOR A TOTAL OF 7.5A MAX.
 - TEMPERATURE RANGE: -40 °C ~ 85 °C
 - CONTACT RESISTANCE: 30 MILLIONHM MAX.
 - DIELECTRIC WITHSTANDING VOLTAGE: 500 VAC r.m.s
 - INSULATION RESISTANCE: 100 MEGOHMS MIN.
 - MECHANICAL CHARACTERISTICS
 - INSERTION FORCE: 5~20N
 - EXTRACTION FORCE: INITIAL:8~20N; DURABILITY:8~20N(1000CYCLES),6~20N(10000CYCLES);
 - DURABILITY:10,000CYCLES.
 - 中间铁片与外铁壳焊接后顶出强度50kgf Min.
 - 上下壳焊接后剥离强度70kgf Min.
 - ENVIRONMENTAL SUBSTANCE CONTROL SHOULD COMPLY WITH IEC 61276-2 SPECIFICATION;
 - HOUSING FLASH: 0.10 MM MAX,METAL BURR:0.05 MM MAX.
 - 防水等级IP67

6.PART NUMBER CODE:(产品料号)

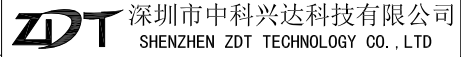
CF292-16 X X XX R -F5
(1)(2)(3) (4)

- HOUSING MATERIAL:
N:PA46
- HOUSING COLOR:
B:BLACK
- CONTACTS PLATED:
12:接触镀金3U, 其它CF
- PACKING OPTIONS
R:TAPE & REEL



12	GLUE	1PCS	Besll 9300R	TRANSPARENT
11	GLUE	1PCS	MICROCOAT SI423-06B-0	BLACK
10	O-RING	1PCS	SILICA GEL(KE-951-U HA52)	RED
9	LOWER_SHELL	1PCS	SUS301-H	50u"Min,NICKEL
8	UPPER_SHELL	1PCS	SUS301-H	SOLDER AREA:1u~3u"Au PLATING
7	INNER_SHELL	1PCS	SUS316L-3/4H	
6	PAD	2PCS	SUS301-1/2H	/
5	MID PLATE	1PCS	SUS301-H	/
4	LOWER CONTACT-2	1SET	C7025-TM04S	Ni 50u"Min
3	LOWER CONTACT-1	1SET		CONTACT AREA:3u"Au BRUSH PLATING
2	UPPER CONTACT	1SET	C18400-540	SOLDER AREA:2~8u"Au BRUSH PLATING
1	HOUSING	1PCS	PA46 HFX33S,UL 94V-0	BLACK
NO.	PARTS NAME	QTY	MATERIAL	FINISH

PART NO.:
SEE THE PART NUMBER CODE



DRAWN BY: SAM DATE: 2020.12.15

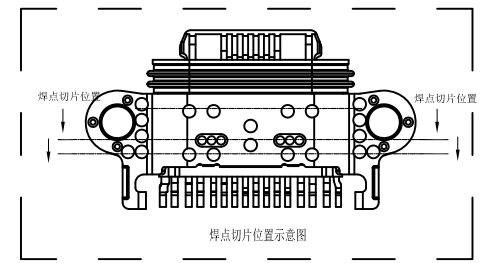
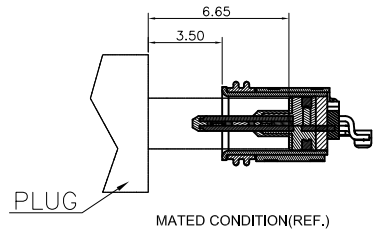
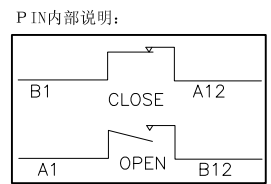
QUALITY SYMBOL	GENERAL TOLERANCES (UNLESS SPECIFIED)
0	x.xxxxx ± ---
0	x.xxx ± 0.10
0	x.xx ± 0.25
0	x.x ± 0.30
0	ANGULAR ± ---

TITLE: Type c母座16PIN防水带耳沉板1.05
DWG.NO.: CF292-16-F5
SHEET NO.: 1 OF 2
SCALE: 1:1
DIMENSION STYLE: MM ONLY
DESIGN UNITS: METRIC

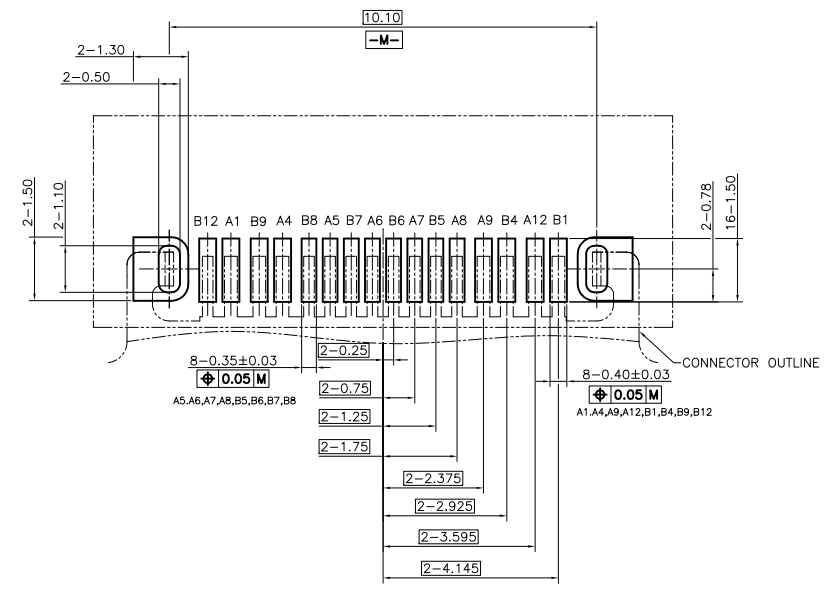
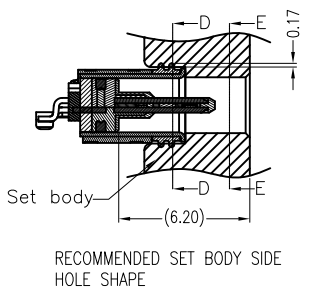
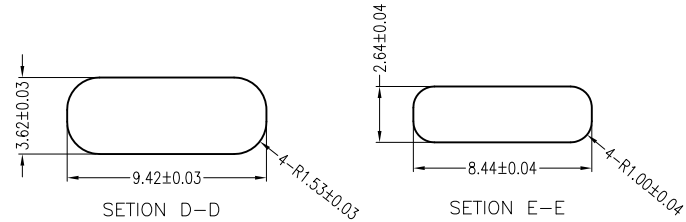
CHECKED BY: JAY DATE: 2020.12.15
APPROVED BY: JACKY DATE: 2020.12.15



REV	ECN No.	DATE	REMARK
A	NEW	2020.12.15	NEW RELEASE




建议密封方式



PIN ASSIGNMENTS

No.	NAME	DESCRIPTION	No.	NAME	DESCRIPTION
A1	GND	GROUND RETURN	B12	SBU	SIGNAL PIN, NOT CONTACT GND
A4	VBUS	BUS POWER	B9	VBUS	BUS POWER
A5	CC1	CONFIGURATION CHANNEL	B8	SBU2	SIDEBAND USE(SBU)
A6	DP1	POSITIVE HALF OF USB2.0 DIFFERENTIAL PAIR-POSITION1	B7	DN2	NEGATIVE HALF OF USB2.0 DIFFERENTIAL PAIR-POSITION2
A7	DN1	POSITIVE HALF OF USB2.0 DIFFERENTIAL PAIR-POSITION1	B6	DP2	POSITIVE HALF OF USB2.0 DIFFERENTIAL PAIR-POSITION2
A8	SBU1	SIDEBAND USE(SBU)	B5	CC2	CONFIGURATION CHANNEL
A9	VBUS	BUS POWER	B4	VBUS	BUS POWER
A12	GND	GROUND RETURN	B1	GND	GROUND RETURN
MID PLATE	GND	GROUND RETURN,CONTACT A1	MID PLATE	GND	GROUND RETURN,CONTACT A12&B1

PART NO.: SEE THE PART NUMBER CODE		 深圳市中科兴达科技有限公司 SHENZHEN ZDT TECHNOLOGY CO., LTD		DRAWN BY SAM	DATE 2020.12.15
QUALITY SYMBOL		TITLE Type c母座16PIN防水带耳沉板1.05		CHECKED BY JAY	DATE 2020.12.15
GENERAL TOLERANCES (UNLESS SPECIFIED)		DWG.NO. CF292-16-F5		APPROVED BY JACKY	
x.xxxxx	± ---	SHEET NO. 2 OF 2		DATE 2020.12.15	
x.xxx	± 0.10	SCALE 1:1		THIRD ANGLE PROJECTION	
x.xx	± 0.25	DIMENSION STYLE MM ONLY		DESIGN UNITS METRIC	
x.x	± 0.30	FRAME SIZE: A4			
ANGULAR	± ---°				