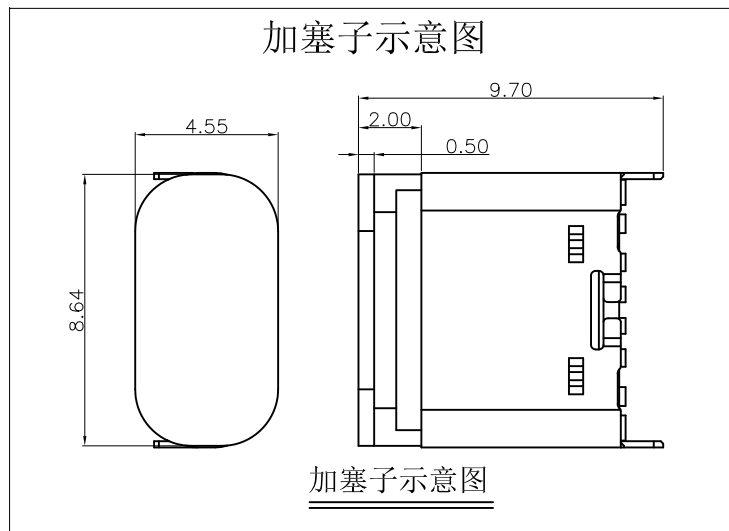


RoHS Compliant

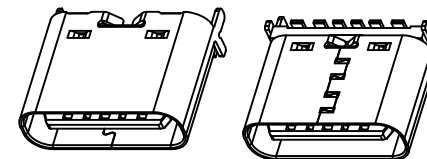
THIS DRAWING CONTAINS INFORMATION THAT IS PROPRIETARY TO ZDT TECHNOLOGY, AND SHOULD NOT BE USED WITHOUT WRITTEN PERMISSION

加塞子示意图



加塞子示意图

REV	ECN No.	DATE	REMARK
A	NEW	2019.05.30	NEW RELEASE
B	ECN2004002	2020.04.10	增加铁壳凸台改善产品歪斜不良
C	ECN2012001	2020.12.01	增加真空包装料号
D	ECR2209004	2022.09.19	优化产品结构



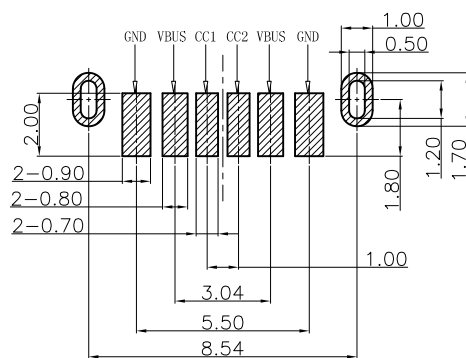
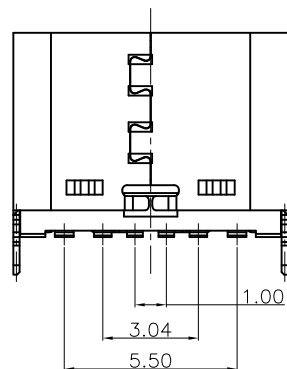
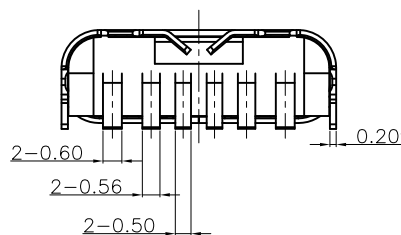
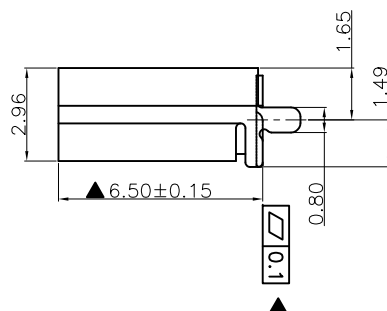
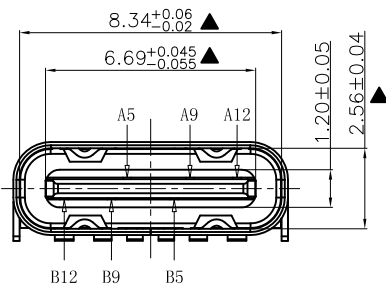
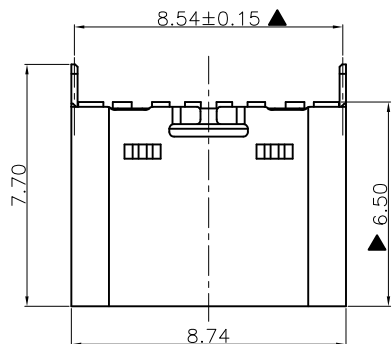
NOTES:  
SPECIFICATION:

- CURRENT RATING: 3.0A MAX
- VOLTAGE: 100 VAC
- TEMPERATURE RANGE: -30 °C ~ 85 °C
- CONTACT RESISTANCE: 40 MILLIONHM MAX
- INSULATION RESISTANCE: 100 MEGOHMS MIN.
- INSERTION FORCE : 5N~20N
- UNMATING FORCE: 8N~20N
- DURABILITY: 10000 CYCLES
- 注: 带“▲”号的为重点管控尺寸

10.PART NUMBER CODE:

CF165-06S L B XX X R - 02  
(1) (2) (3)

- (1) HOUSING COLER:  
B:BLACK
- (2) CONTACTS PLATED:  
01:半金锡1u"  
11:全金1u"
- (3) 包装要求  
无:普通包装  
V:真空包装(客人指定专用包装)



RECOMMEND P.C.B LAYOUT  
TOLERANCE UNSPECIFIED ±0.05mm

TABLE:

NO.	DESCRIPTION	MATERIAL	REMARKS	QTY
5	COVER	HIGH TEMPERATURE PLASTIC	BLACK	1PCS
4	SHIELDING PLATE	STAINLESS STEEL SUS301 t=0.15	NO Plated	1PCS
3	SHELL	STAINLESS STEEL SUS304 t=0.20	Ni:50u" Plated	1PCS
2	CONTACT	COPPER ALLOY C2680 T=0.20	Au1u"/Ni:50u" Plated	1SET
1	HOUSING	HIGH TEMPERATURE PLASTIC	LCP UL94V-0 BLACK	1PCS

USB TYPE C PIN ASSIGNMENTS

PIN	SIGNAL NAME	PIN	SIGNAL NAME
A5	CC1	B12	GND
A9	VBUS	B9	VBUS
A12	GND	B5	CC2

PART NO.:  
SEE THE PART NUMBER CODE

QUALITY SYMBOL	GENERAL TOLERANCES (UNLESS SPECIFIED)
0	x.xxxxx ±---
0	x.xxx ±0.10
0	x.xx ±0.25
0	x.x ±0.30
0	ANGULAR ±---

**ZDT** 深圳市中科兴达科技有限公司  
SHENZHEN ZDT TECHNOLOGY CO., LTD

TITLE  
USB C F 单排6PIN直立式SMT H=6.5(T0.2)

DWG.NO. CF165-06-02

SHEET NO. 1 OF 1

SCALE 1:1

DIMENSION STYLE MM ONLY

DESIGN UNITS METRIC

DRAWN BY SAM	DATE 2022.09.19
CHECKED BY JAY	DATE 2022.09.19
APPROVED BY JACKY	DATE 2022.09.19

THIRD ANGLE PROJECTION