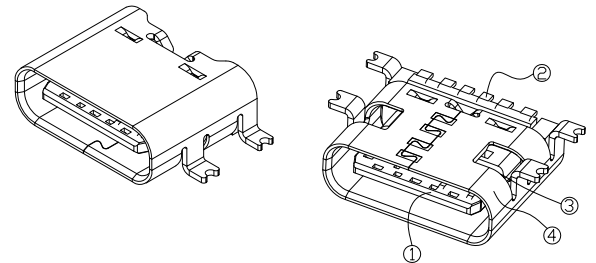
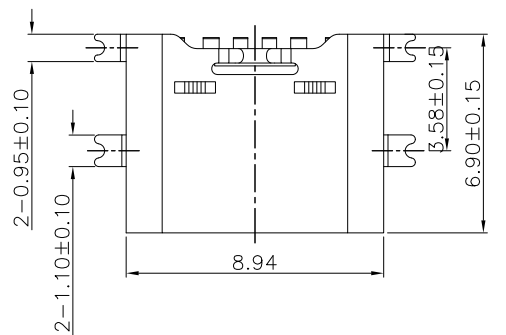


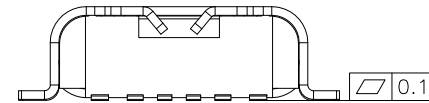
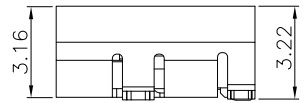
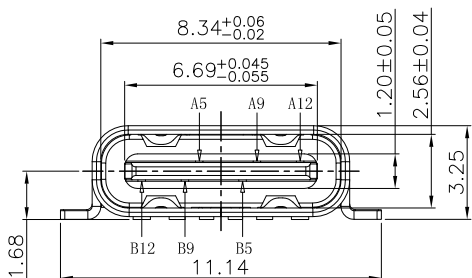
RoHS Compliant

THIS DRAWING CONTAINS INFORMATION THAT IS PROPRIETARY TO ZDT TECHNOLOGY, AND SHOULD NOT BE USED WITHOUT WRITTEN PERMISSION

REV	ECN No.	DATE	REMARK
A0	NEW	2021.10.29	NEW RELEASE
B	ECR2209004	2022.09.19	优化产品结构

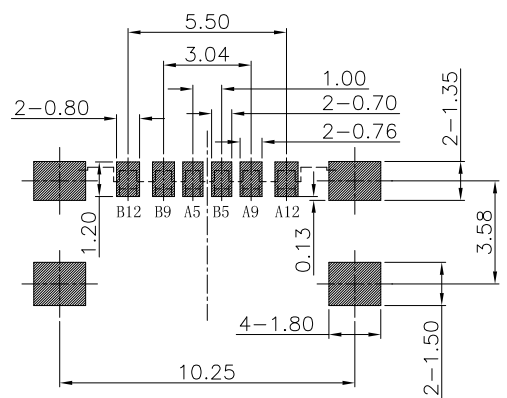
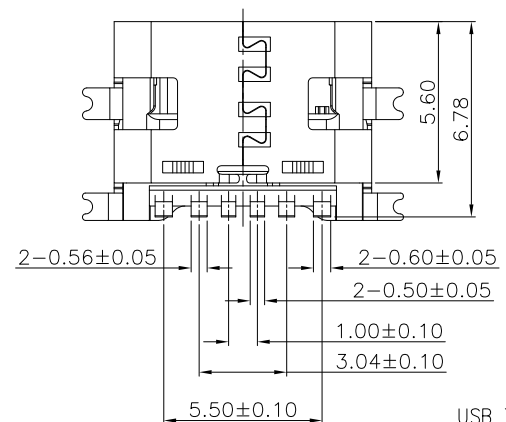


NOTE:  
 1.MATERIAL SPECIFICATION:  
 1.HOUSING:HIGH TEMPERATURE RESISTANT PLASTIC,UL94 V-0.  
 2.CONTACTS:COPPER ALLOY(C2680)  
 3.MID PLATE: STAINLESS STEEL SUS 301  
 4.FRONT SHELL: STAINLESS STEEL SUS 304  
 2.PLATING SPECIFICATION:  
 2-1.CONTACTS:  
 Ni 50u" MIN. UNDER PLATED OVER ALL.  
 Au PLATED ON THE FUNCTIONAL AREA OF CONTACT.  
 (GOLD PLATING THICKNESS FOLLOW THE P/N)  
 PLATING SPECIFICATIONS OF THE SOLDER AREA FOLLOW THE P/N  
 2-2.FRONT SHELL:  
 Ni 50u" MIN. UNDER PLATED OVER ALL.  
 2-3.MID PLATE:  
 CLEAR ONLY  
 3.MECHANICAL PERFORMANCE,  
 3-1.INSERTION FORCE: 0.5~2.0kgf.  
 3-2.REMOVAL FORCE: 0.8kgf~2.0kgf.  
 3-3.DURABILITY: 10000 CYCLES.  
 4.ELECTRICAL PERFORMANCE,  
 4-1. CURRENT RATING:3.0A  
 VOLTAGE RATING:5V  
 4-2. LLCR:  
 VBUS & GND PINS AND OTHER PINS: 40mΩ/PIN MAX.  
 SHIELD: 50mΩ/MAX.  
 LLCR MAX. CHANGE OF ALL PINS: 10mΩ.  
 4-3.INSULATION RESISTANCE: 100MΩ MIN  
 4-4.DIELECTRIC WITHSTAND VOLTAGE,AC 100V FOR 1 MINUTE.  
 5. ENVIRONMENTAL PERFORMANCE:  
 OPERATING TEMPERATURE: -30°C~+85°C.  
 6.IR REFLOW:  
 THE PEAK TEMPERATURE ON THE BOARD SHALL BE MAINTAINED FOR 10 SECONDS AT 260°C.



7. PART NUMBER CODE:(产品料号)  
 CF206-002 S L B 11 XX - 02  
 (1) (2) (3) (4)

- (1) HOUSING MATERIAL:  
L:LCP
- (2) HOUSING COLOR:  
B:BLACK
- (3) CONTACTS PLATED:  
11:接触镀金1u"其它GF
- (4) PACKING OPTIONS  
R:卷装(常用料)  
VR:卷装+真空包装



RECOMMEND P.C.B LAYOUT  
 TOLERANCE UNSPECIFIED ±0.05mm

USB TYPE C PIN ASSIGNMENTS

PIN NUMBER	SIGNAL NAME	PIN NUMBER	SIGNAL NAME
A5	CC1	B12	GND
A9	VBUS	B9	VBUS
A12	GND	B5	CC2

PART NO.:  
 SEE THE PART NUMBER CODE

深圳市中科兴达科技有限公司  
 SHENZHEN ZDT TECHNOLOGY CO.,LTD

DRAWN BY: SAM DATE: 2022.09.19

QUALITY SYMBOL	GENERAL TOLERANCES (UNLESS SPECIFIED)
0	x.xxxx ± ---
0	x.xxx ± 0.10
0	x.xx ± 0.20
0	x.x ± 0.30
0	ANGULAR ± ---

TITLE: TYPE CF 6P单排 SMT CONN(金贴)CH1.68

CHECKED BY: JAY DATE: 2022.09.19

DWG.No. CF206-002-02 SHEET No. 1 OF 1

APPROVED BY: JACKY DATE: 2022.09.19

DIMENSION STYLE: MM ONLY DESIGN UNITS: METRIC SCALE: 1:1

THIRD ANGLE PROJECTION