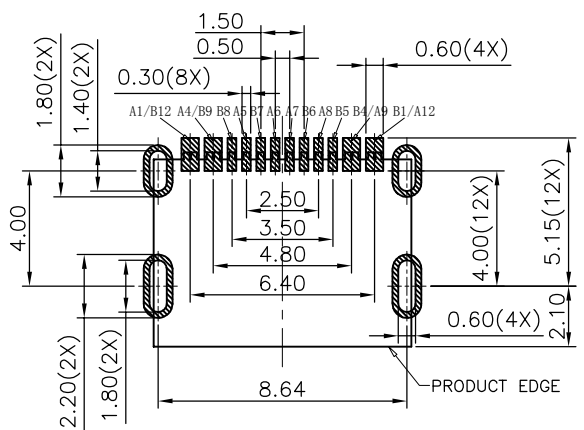
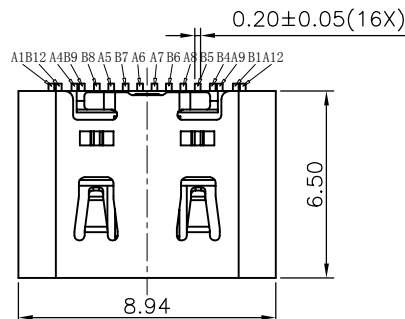


RoHS Compliant

THIS DRAWING CONTAINS INFORMATION THAT IS PROPRIETARY TO ZDT TECHNOLOGY, AND SHOULD NOT BE USED WITHOUT WRITTEN PERMISSION

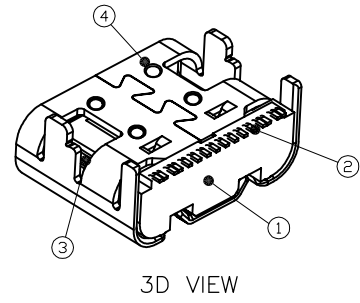
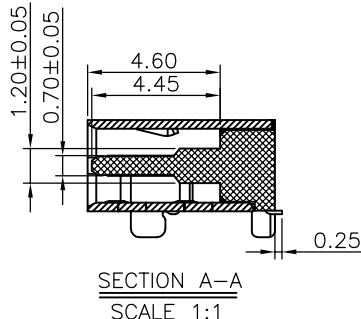
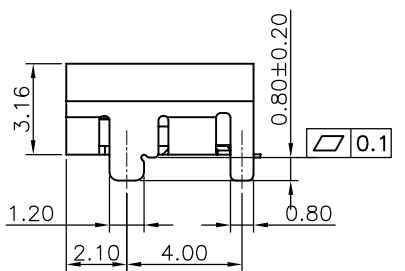
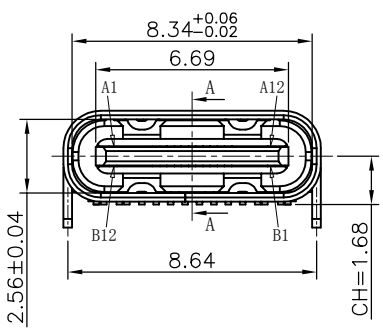
REV	ECN No.	DATE	REMARK
A	NEW	2020.08.12	NEW RELEASE



RECOMMENDED PCB LAYOUT(TOP VIEW)
THICKNESS 0.60MM;DEFAULT TOLERANCE:±0.05

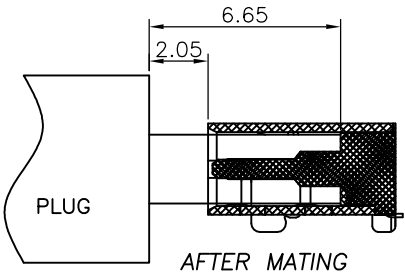
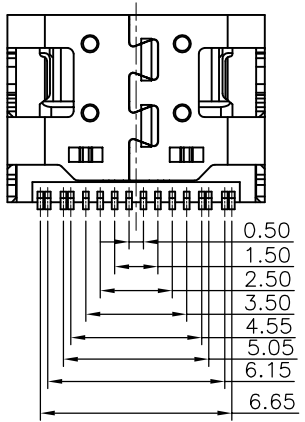
NOTE:

- Electrical Characteristics:
 - 1-1: Current Rating: 5A For Pin(A4,A9,B4,B9)
1.25A For Pin(B5)
0.25A For Others Pin
 - 1-2: VOLTAGE RATING:5.0V
 - 1-3: Insulation Resistance: 100MΩ Min.
 - 1-4: Contact Resistance:
VBUS & GND PINS AND OTHER PINS: 40mΩ/PIN MAX.
SHIELD:50mΩ/MAX.
 - 1-5: Dielectric Withstanding Voltage: 100V/AC 1Minute
- Mechanical Characteristics:
 - Insertion Force: 5~20N
 - Extraction Force: Initial: 8~20N
 - After durability: 6~20N
 - Durability :10000 Cycles
- Operating Temperature: -25°C TO +85°C



PART NUMBER CODE:(产品料号)

No.	料号	规格
1	CF266-16LB12R-02	黑色端子接触3U, 其它G/F



USB TYPE-C PIN ASSIGNMENTS

PIN NUMBER	SIGNAL NAME	PIN NUMBER	SIGNAL NAME
A1	GND	B12	GND
A2	SSTXp1	B11	SSRXp1
A3	SSTXn1	B10	SSRXn1
A4	VBUS	B9	VBUS
A5	CC1	B8	SBU2
A6	Dp1	B7	Dn2
A7	Dn1	B6	Dp2
A8	SBU1	B5	CC2
A9	VBUS	B4	VBUS
A10	SSRXn2	B3	SSTXn2
A11	SSRXp2	B2	SSTXp2
A12	GND	B1	GND

TYPE:

NO.	DESCRIPTION	MATERIAL	REMARKS	QTY
4	SHELL	SUS304 1/2H T=0.30mm	NICKEL 50u" MIN PLATING	1PCS
3	SHIELDING PLATE	SUS301 3/4H T=0.15mm	---	1PCS
2	CONTACT	C18400-H T=0.12mm	Ni 50u" MIN. UNDER PLATED OVER ALL Au 3u" PLATED ON THE FUNCTIONAL AREA OF CONTACT. PLATING 1u" OF THE SOLDER AREA	2SET
1	HOUSING	LCP UL94V-0	BLACK	1PCS

PART NO.:
SEE THE PART NUMBER CODE

ZDT 深圳市中兴达科技有限公司
SHENZHEN ZDT TECHNOLOGY CO.,LTD

DRAWN BY: SAM DATE: 2020.08.12

QUALITY SYMBOL

0	GENERAL TOLERANCES (UNLESS SPECIFIED)
x.xxxxx	± ---
x.xxx	± 0.10
x.xx	± 0.20
x.x	± 0.30
ANGULAR	± ---

TITLE: USB C F TYPE单排SMT6.5四脚插板外壳带弹
DWG.NO. CF266-16-02
DIMENSION STYLE: MM ONLY
DESIGN UNITS: METRIC

CHECKED BY: JAY DATE: 2020.08.12
APPROVED BY: JACKY DATE: 2020.08.12
SHEET NO. 1 OF 1
SCALE 1:1
THIRD ANGLE PROJECTION