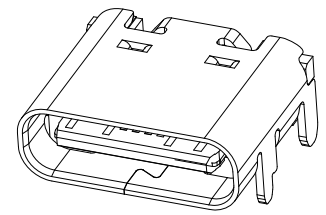
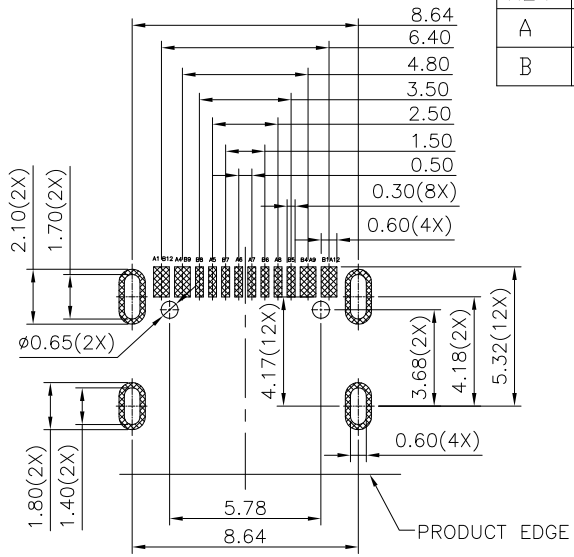
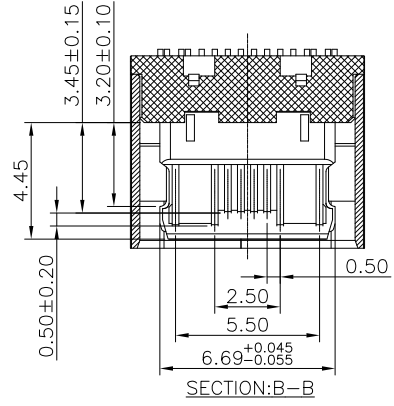
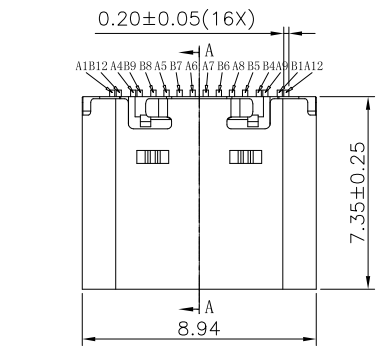


RoHS Compliant

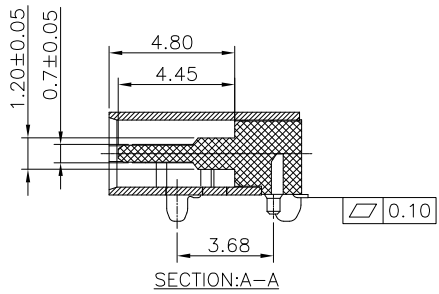
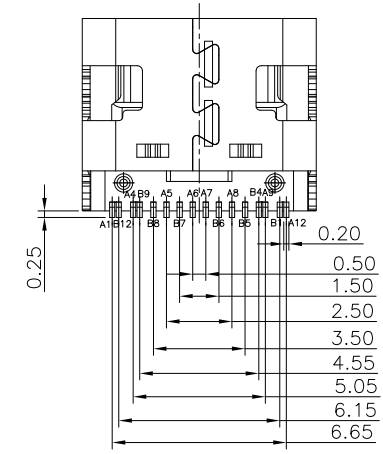
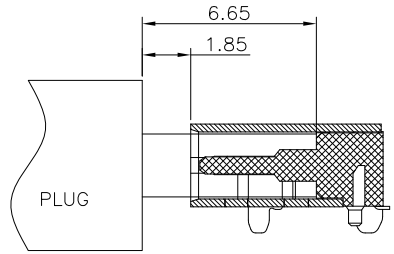
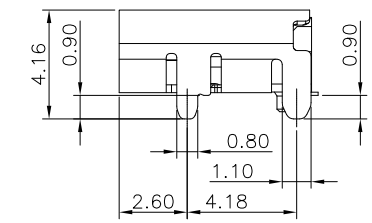
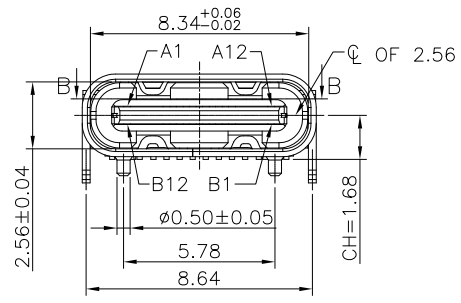
THIS DRAWING CONTAINS INFORMATION THAT IS PROPRIETARY TO ZDT TECHNOLOGY, AND SHOULD NOT BE USED WITHOUT WRITTEN PERMISSION

REV	ECN No.	DATE	REMARK
A	NEW	2019.10.21	NEW RELEASE
B	---	2022.10.18	---



NOTE:
 1.MECHANICAL PERFORMANCE,
 1-1.INSERTION FORCE: 0.5~2.0kgf.
 1-2.REMOVAL FORCE: 0.8kgf~2.0kgf.
 1-3.DURABILITY: 10000 CYCLES.
 2.ELECTRICAL PERFORMANCE,
 2-1. VOLTAGE RATING:5 V DC/AC (RMS. max)
 CURRENT RATING:5 AMPS. FOR TOTAL VBUS/GND PINS;
 1.25AMPS FOR CC PIN,0.25 AMPS. FOR ALL OTHER CONTACT.
 2-2. LLCR:.
 VBUS & GND PINS AND OTHER PINS: 40mΩ/PIN MAX.
 SHIELD: 50mΩ/MAX.
 LLCR MAX. CHANGE OF ALL PINS: 10mΩ.
 2-3.INSULATION RESISTANCE: 100MΩ MIN
 2-4.DIELECTRIC WITHSTAND VOLTAGE,AC 100V FOR 1 MINUTE.
 3.ENVIRONMENTAL PERFORMANCE:
 OPERATING TEMPERATURE: -25°C~+85°C.
 4.IR REFLOW:
 THE PEAK TEMPERATURE ON THE BOARD SHALL BE MAINTAINED FOR 10 SECONDS AT 260°C.

RECOMMENDED PCB LAYOUT(TOP VIEW)
 THICKNESS 0.80MM;DEFAULT TOLERANCE:±0.05



USB TYPE-C PIN ASSIGNMENTS

PIN NUMBER	SIGNAL NAME	PIN NUMBER	SIGNAL NAME
A1	GND	B12	GND
A4	VBUS	B9	VBUS
A5	CC1	B8	SBU2
A6	Dp1	B7	Dn2
A7	Dn1	B6	Dp2
A8	SBU1	B5	CC2
A9	VBUS	B4	VBUS
A12	GND	B1	GND

TYPE:

PART NO.	NO.	DESCRIPTION	MATERIAL	REMARKS	QTY
Z-CF044SCB12R-A-01	5	SHELL	SUS304 T=0.30mm	NICKEL 30u" MIN PLATING	1PCS
	4	SHIELDING PLATE	SUS301 T=0.15mm	CLEAR ONLY	1PCS
	3	DOWN CONTACT	C18400-H T=0.12mm	Ni 50u" MIN. UNDER PLATED OVER ALL Au 3u" PLATED ON THE FUNCTIONAL AREA OF CONTACT. PLATING OF THE SOLDER AREA	1SET
	2	TOP CONTACT	C18400-H T=0.12mm	Ni 50u" MIN. UNDER PLATED OVER ALL Au 3u" PLATED ON THE FUNCTIONAL AREA OF CONTACT. PLATING OF THE SOLDER AREA	1SET
	1	HOUSING	PA9T UL94V-0	BLACK	1PCS

PART NO.: SEE THE TABLE

QUALITY SYMBOL: $\nabla=0$

GENERAL TOLERANCES (UNLESS SPECIFIED):
 x.xxxxx ± ---
 x.xxx ± 0.10
 x.xx ± 0.20
 x.x ± 0.30
 ANGULAR ± ---°

ZDT 深圳市中科兴达科技有限公司
 SHENZHEN ZDT TECHNOLOGY CO., LTD

DRAWN BY: SAM DATE: 2019.10.21
 CHECKED BY: JAY DATE: 2019.10.21
 APPROVED BY: JACKY DATE: 2019.10.21

TITLE: USB CF 16PIN (L=7.35)WITH POST CH1.68
 DWG.NO.: CF044-01 SHEET NO.: 1 OF 1
 DIMENSION STYLE: MM ONLY DESIGN UNITS: METRIC SCALE: 1:1

THIRD ANGLE PROJECTION