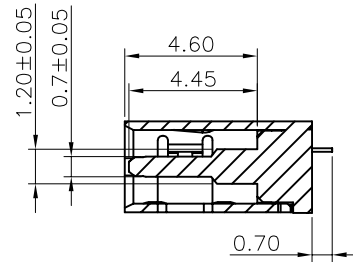
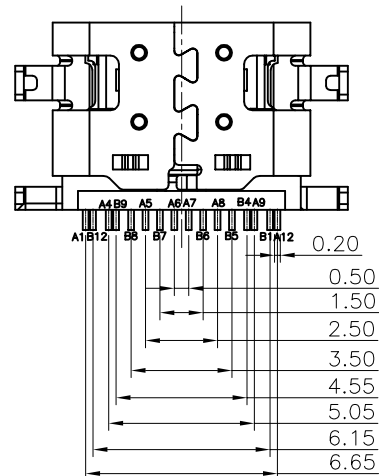
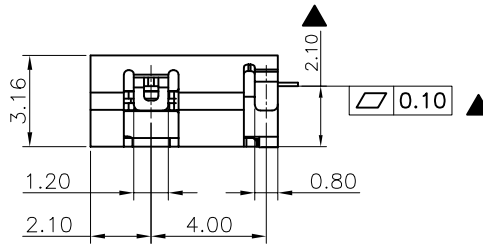
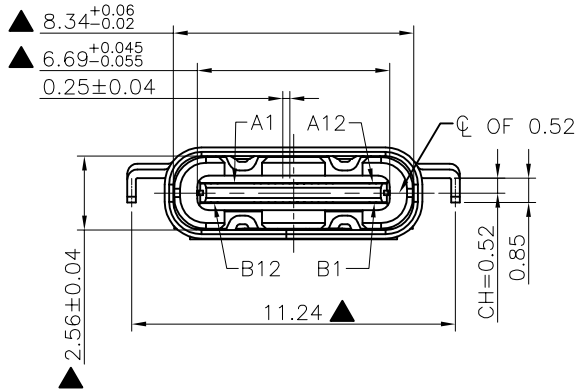
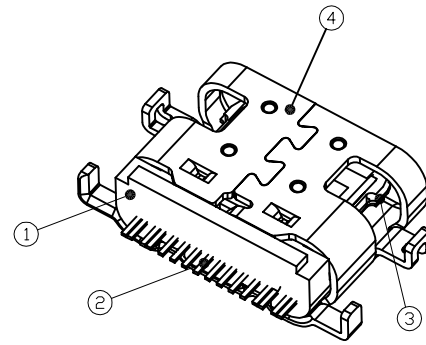
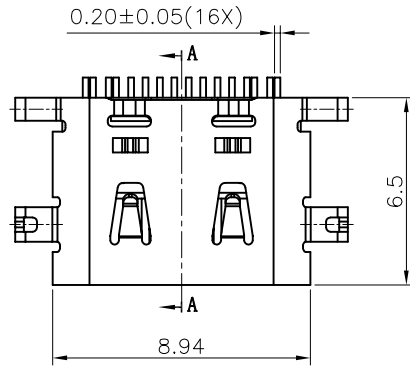


RoHS Compliant

THIS DRAWING CONTAINS INFORMATION THAT IS PROPRIETARY TO ZDT TECHNOLOGY, AND SHOULD NOT BE USED WITHOUT WRITTEN PERMISSION

REV	ECN No.	DATE	REMARK
A	NEW	2019.03.20	NEW RELEASE
B	--	2021.06.21	整理图纸



NOTE:

- Electrical Characteristics:
    - 1-1: Current Rating: 5A For Pin(A4,A9,B4,B9)  
1.25A For Pin(B5)  
0.25A For Others Pin
    - 1-2: VOLTAGE RATING:5.0V
    - 1-3: Insulation Resistance: 100MΩ Min.
    - 1-4: Contact Resistance:  
VBUS & GND PINS AND OTHER PINS: 40mΩ/PIN MAX.  
SHIELD:50mΩ/MAX.  
SHIELD:LLCR MAX. CHANGE OF ALL PINS: 10mΩ.
    - 1-5: Dielectric Withstanding Voltage: 100V/AC 1Minute
  - Mechanical Characteristics:
    - Insertion Force: 5~20N
    - Extraction Force: Initial: 8~20N  
After durability: 6~20N
    - Durability :10000 Cycles
  - Operating Temperature: -25°C TO +85°C
- 4.注: 带“▲”号的为重点管控尺寸

5. PART NUMBER CODE:(产品料号)

CF215-16 S L B XX X - 01  
(1)(2)(3)

- (1) HOUSING COLOR:  
B:BLACK
- (2) CONTACTS PLATED:  
12:接触镀金3u"焊接区域镀金1u"
- (3) PACKING OPTIONS  
R:卷装(常用料)  
VR:卷装+真空包装(专用客户指定包规)

TYPE:

				TYPE C协会认证TID NO.	4355
4	SHELL	SUS304 1/2H T=0.30mm	NICKEL 30u" MIN PLATING	1PCS	
3	SHIELDING PLATE	SUS301 3/4H T=0.15mm	---	1PCS	
2	CONTACT	C18400-H T=0.12mm	Ni 50u" MIN. UNDER PLATED OVER ALL AU PLATED ON THE FUNCTIONAL AREA OF CONTACT. PLATING 0/7 OF THE SOLDER AREA.	2SET	
1	HOUSING	LCP UL94V-0	BLACK	1PCS	
NO.	DESCRIPTION	MATERIAL	REMARKS	QTY	

PART NO.:  
SEE THE PART NUMBER CODE

深圳市中科兴达科技有限公司  
SHENZHEN ZDT TECHNOLOGY CO., LTD

DRAWN BY: SAM  
DATE: 2021.06.21

QUALITY SYMBOL	GENERAL TOLERANCES (UNLESS SPECIFIED)
0	x.xxxxx ± ---
0	x.xxx ± 0.10
0	x.xx ± 0.25
0	x.x ± 0.30
0	ANGULAR ± ---

TITLE		DWG.NO.		SHEET NO.	
USB CF 16PIN (L=6.5) 沉板2.1外壳带弹片		CF215-16-01		1 OF 2	
DIMENSION STYLE		DESIGN UNITS		SCALE	
MM ONLY		METRIC		1:1	

CHECKED BY: JAY  
DATE: 2021.06.21

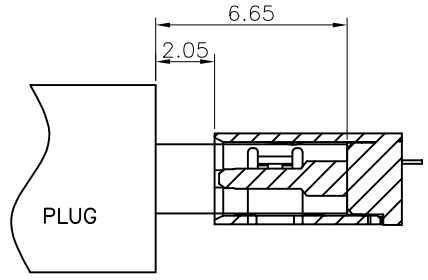
APPROVED BY: JACKY  
DATE: 2021.06.21

THIRD ANGLE PROJECTION

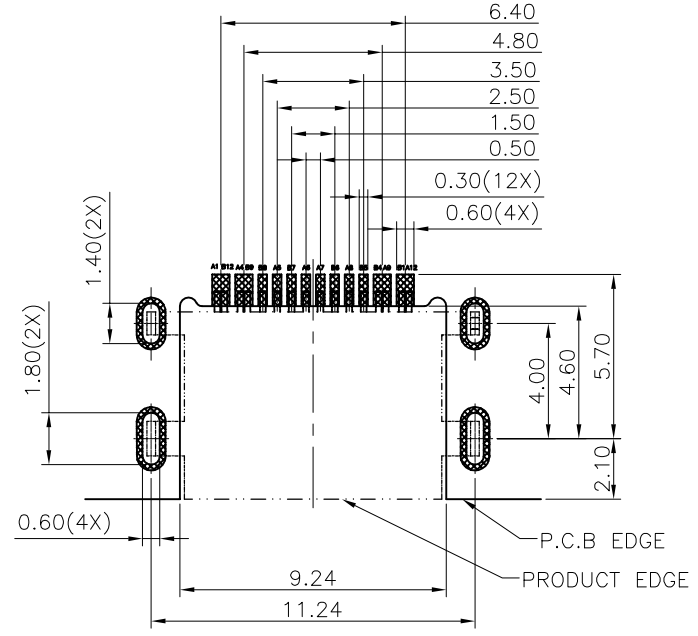
REV	ECN No.	DATE	REMARK
A	NEW	2019.03.20	NEW RELEASE
B	--	2021.06.21	整理图纸

**RoHS Compliant**

THIS DRAWING CONTAINS INFORMATION THAT IS PROPRIETARY TO ZDT TECHNOLOGY, AND SHOULD NOT BE USED WITHOUT WRITTEN PERMISSION



AFTER MATING



RECOMMENDED PCB LAYOUT(TOP VIEW)  
THICKNESS 0.80MM;DEFAULT TOLERANCE:±0.05

USB TYPE-C PIN ASSIGNMENTS

PIN NUMBER	SIGNAL NAME	PIN NUMBER	SIGNAL NAME
A1	GND	B12	GND
A4	VBUS	B9	VBUS
A5	CC1	B8	SBU2
A6	Dp1	B7	Dn2
A7	Dn1	B6	Dp2
A8	SBU1	B5	CC2
A9	VBUS	B4	VBUS
A12	GND	B1	GND

PART NO.: SEE THE PART NUMBER CODE		<b>ZDT</b> 深圳市中科兴达科技有限公司 SHENZHEN ZDT TECHNOLOGY CO., LTD		DRAWN BY SAM	DATE 2021.06.21	
QUALITY SYMBOL 0 0 0 0 0	GENERAL TOLERANCES (UNLESS SPECIFIED)		TITLE USB CF 16PIN (L=6.5) 沉板2.1外壳带弹片			
	x.xxxx	± ---	DWG.NO. CF215-16-01	SHEET NO. 2 OF 2	CHECKED BY JAY	DATE 2021.06.21
	x.xxx	± 0.10			APPROVED BY JACKY	DATE 2021.06.21
	x.xx	± 0.25				
	x.x	± 0.30				
ANGULAR	± ---°	DIMENSION STYLE MM ONLY	DESIGN UNITS METRIC	SCALE 1:1	THIRD ANGLE PROJECTION	