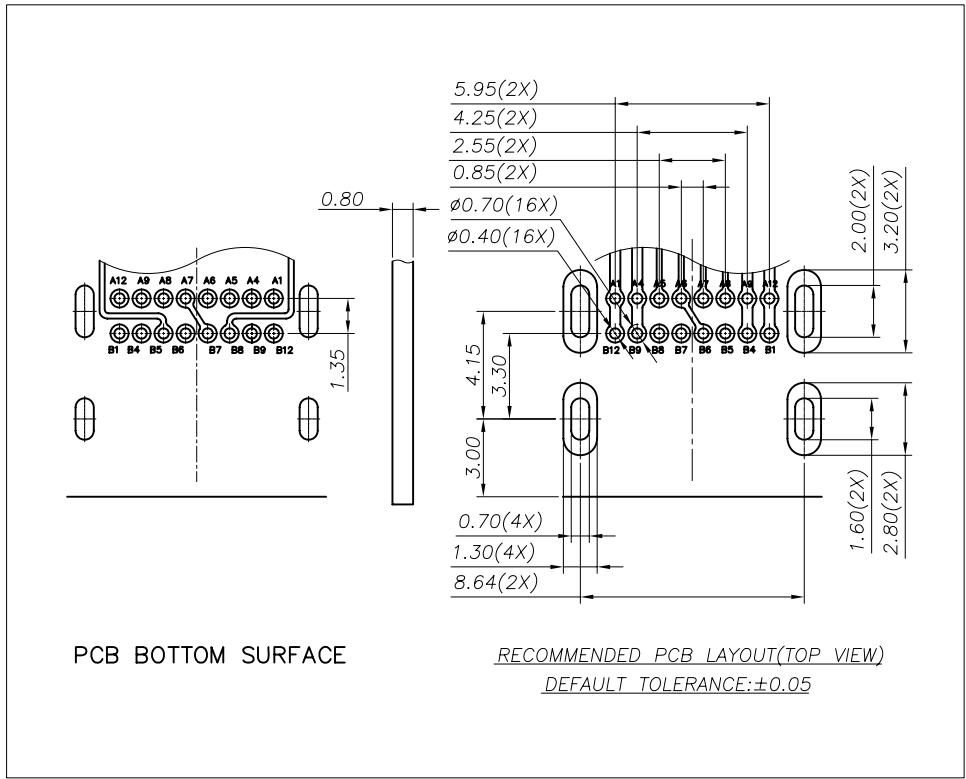
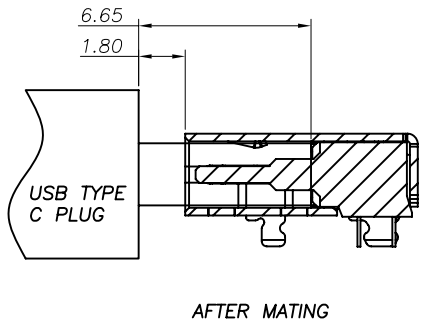


RoHS Compliant 


THIS DRAWING CONTAINS INFORMATION THAT IS PROPRIETARY TO ZDT TECHNOLOGY. AND SHOULD NOT BE USED WITHOUT WRITTEN PERMISSION

REV	ECN No.	DATE	REMARK
A	NEW	2018.11.30	NEW RELEASE



USB TYPE-C PIN ASSIGNMENTS

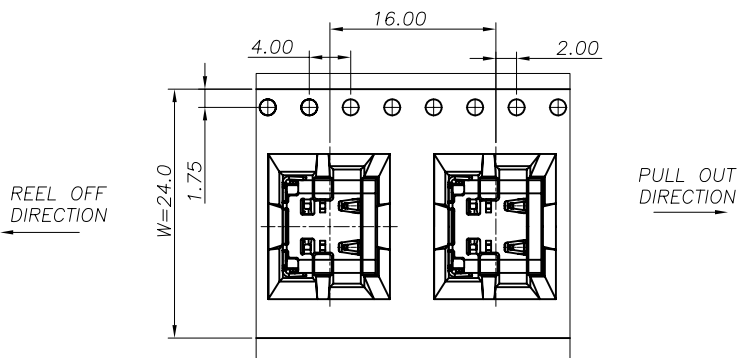
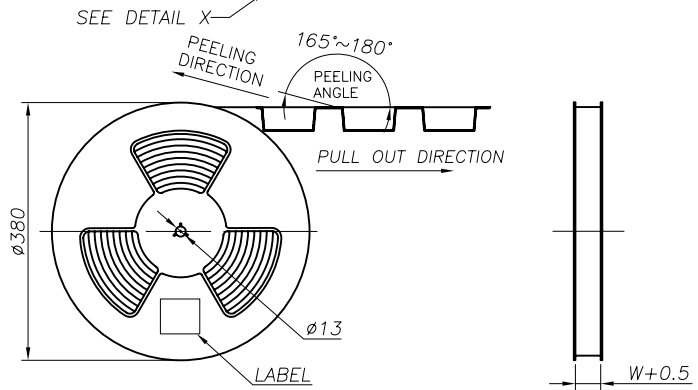
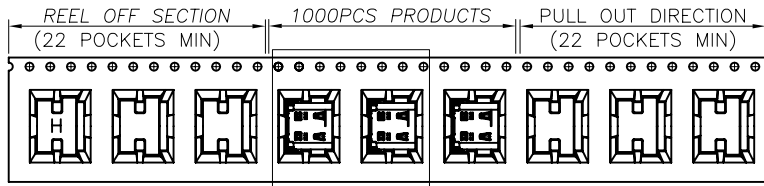
PIN NUMBER	SIGNAL NAME	PIN NUMBER	SIGNAL NAME
A1	GND	B12	GND
A2		B11	
A3		B10	
A4	Vbus	B9	Vbus
A5	CC1	B8	SBU2
A6	Dp1	B7	Dn2
A7	Dn1	B6	Dp2
A8	SBU1	B5	CC2
A9	Vbus	B4	Vbus
A10		B3	
A11		B2	
A12	GND	B1	GND

QUALITY SYMBOL = 0 ▽ = 0	PART NO.: SEE THE PART NUMBER CODE		 深圳市中科兴达科技有限公司 SHENZHEN ZDT TECHNOLOGY CO.,LTD		DRAWN BY SAM	DATE 2018.11.30		
	GENERAL TOLERANCES (UNLESS SPECIFIED)		TITLE USB CF 16PIN DOUBLE ROW DIP TERMINAL		CHECKED BY JAY	DATE 2018.11.30		
	x.xxxx	± ---	DWG.NO.	CF213-16-01	APPROVED BY JACKY	DATE 2018.11.30		
	x.xxx	± 0.10	SHEET NO.	2 OF 3				
	x.xx	± 0.25	DIMENSION STYLE	MM ONLY	DESIGN UNITS	METRIC	SCALE	1:1
x.x	± 0.30							
ANGULAR	---°							

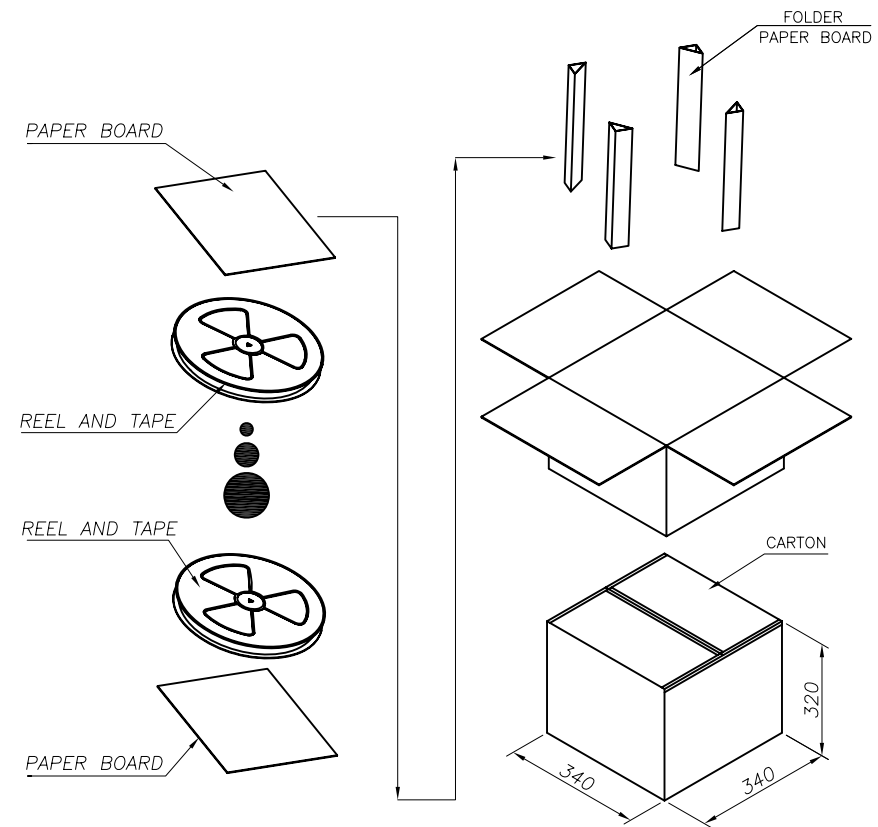
RoHS Compliant

THIS DRAWING CONTAINS INFORMATION THAT IS PROPRIETARY TO ZDT TECHNOLOGY, AND SHOULD NOT BE USED WITHOUT WRITTEN PERMISSION

REV	ECN No.	DATE	REMARK
A	NEW	2018.11.30	NEW RELEASE



DETAIL X
SCALE 2:1



	REEL/TRAY	CARTON
CONNECTOR (PCS)	1000	10000

PART NO.:
SEE THE PART NUMBER CODE

ZDT 深圳市中兴兴达科技有限公司
SHENZHEN ZDT TECHNOLOGY CO.,LTD

DRAWN BY: SAM
DATE: 2018.11.30

QUALITY SYMBOL	$\nabla=0$	GENERAL TOLERANCES (UNLESS SPECIFIED)
	x.xxxx	± 0.10
	x.xxx	± 0.25
	x.xx	± 0.30
	x.x	± 0.30
∇	ANGULAR	± 0.1

TITLE: USB CF 16PIN DOUBLE ROW DIP TERMINAL

CHECKED BY: JAY
DATE: 2018.11.30

DWG.NO.: CF213-16-01
SHEET NO.: 3 OF 3

APPROVED BY: JACKY
DATE: 2018.11.30

DIMENSION STYLE: MM ONLY
DESIGN UNITS: METRIC
SCALE: 1:1

THIRD ANGLE PROJECTION

frame size: A4