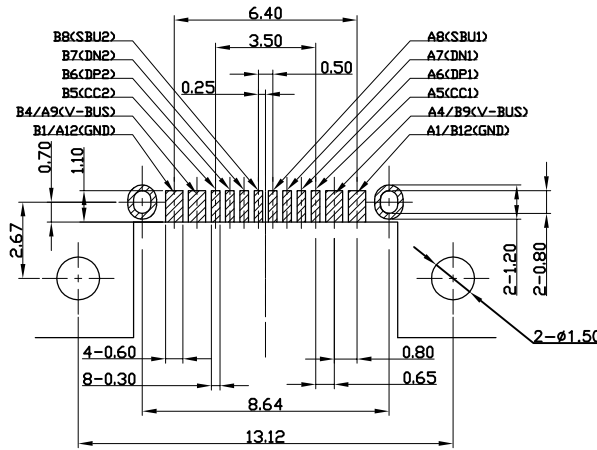
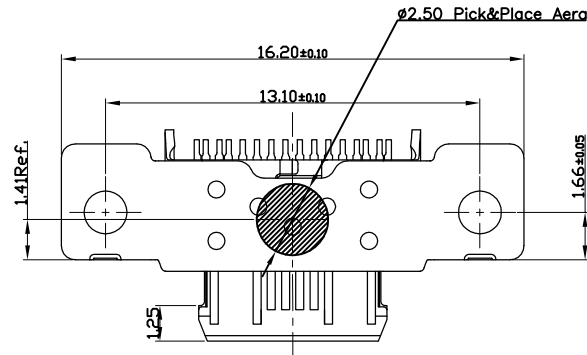


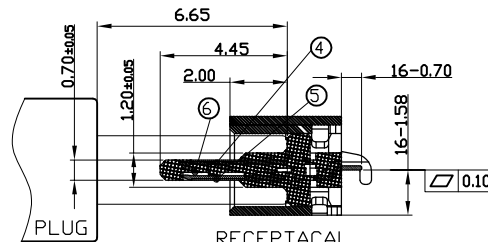
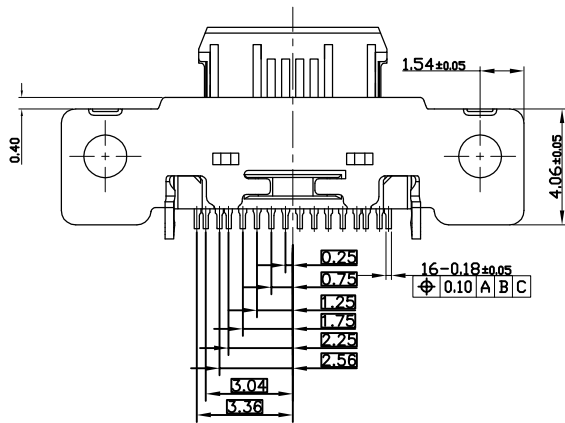
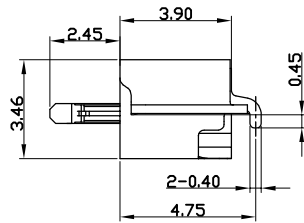
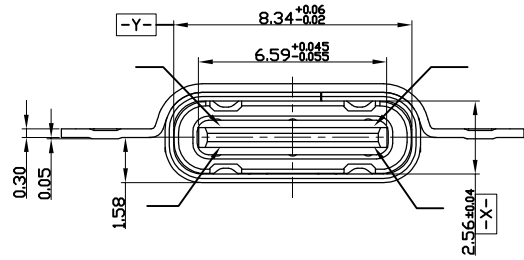
RoHS Compliant

THIS DRAWING CONTAINS INFORMATION THAT IS PROPRIETARY TO ZDT TECHNOLOGY. AND SHOULD NOT BE USED WITHOUT WRITTEN PERMISSION

REV	ECN No.	DATE	REMARK
A	NEW	2019-9-17	NEW RELEASE



RECOMMENDED PCB LAYOUT (THICKNESS: 0.80MM)
P/W B TOLERANCE: ±0.05



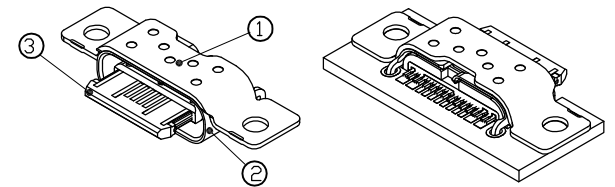
RECEPTACLE
AFTER MATING
SECTION: A-A

- SPECIFICATION:
- ELECTRICAL CHARACTERISTICS:
 - CURRENT RATING: 1.5A/ Pin MAX(A4,A9,B4,B9) 1.25A/ Pin MAX(A1,A12,B1,B12), 0.25A (OTHER PIN)
 - TEMPERATURE RANGE: -40 °C ~ 85 °C
 - CONTACT RESISTANCE: 30 MILLIONHM MAX.
 - DIELECTRIC WITHSTANDING VOLTAGE: 100 VAC r.m.s
 - INSULATION RESISTANCE: 100 MEGOHMS MIN.
 - MECHANICAL CHARACTERISTICS
 - INSERTION FORCE: 5~20N
 - EXTRACTION FORCE: Initial: 8~20N, AFTER TEST 6~20N
 - DURABILITY: 10,000 CYCLES
 - ENVIRONMENTAL CHARACTERISTICS
 - TEMPERATURE RANGE: -40 °C ~ 85 °C
 - IR REFLOW: THE PEAK TEMPERATURE ON THE BOARD SHALL BE MAINTAINED FOR 10 SECONDS AT 260°C.

4. PART NUMBER CODE: (产品料号)

CF3 16 - 005 S X B XX R - F8
(1) (2) (3) (4) (5)

- Pin No. 16: 16PIN
- HOUSING MATERIAL: NIPA46
- HOUSING COLOR: BLACK
- CONTACTS PLATED: 12: 接触镀金 3u" 其它 GF
- PACKING OPTIONS: R: TAPE & REEL



NO.	DESCRIPTION	QTY.	MATERIAL	FINISH
⑥	MID PLATE	1 PCS	STAINLESS STEEL	LN0 SURFACE TREATMENT
⑤	CONTACT B	1 SET	COPPER ALLOY	NI 50u" MIN. UNDER PLATED OVER ALL. Au PLATED ON THE FUNCTIONAL AREA OF CONTACT.
④	CONTACT A	1 SET	COPPER ALLOY	(GOLD PLATING THICKNESS FOLLOW THE P/N) PLATING SPECIFICATIONS OF THE SOLDER AREA FOLLOW THE P/N
③	HOUSING	3 PCS	NYLON 46	COLOR: BLACK
②	SHELL	1 PCS	STAINLESS STEEL	30u" MIN. UNDER PLATED OVER ALL.
①	COVER SHELL	1 PCS	STAINLESS STEEL	30u" MIN. UNDER PLATED OVER ALL.

PART NO.:
SEE THE PART NUMBER CODE

ZDT 深圳市中科兴达科技有限公司
SHENZHEN ZDT TECHNOLOGY CO., LTD

DRAWN BY: SAM
DATE: 2019-9-17

QUALITY SYMBOL	GENERAL TOLERANCES (UNLESS SPECIFIED)
0	x.xxxx ± ---
0	x.xxx ± 0.10
0	x.xx ± 0.20
0	x.x ± 0.30
0	ANGULAR ± ---

TITLE	Type c母座 16P 沉板 1.58 舌片外露带耳
DWG. NO.	CF316-005-F8
SHEET NO.	1 OF 1
DIMENSION STYLE	MM ONLY
DESIGN UNITS	METRIC
SCALE	1:1

CHECKED BY: JAY	DATE: 2019-9-17
APPROVED BY: JACKY	DATE: 2019-9-17
THIRD ANGLE PROJECTION	