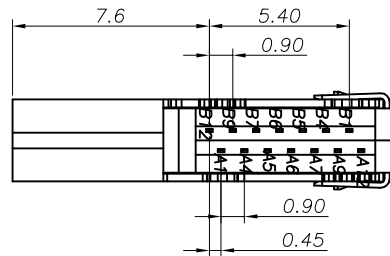
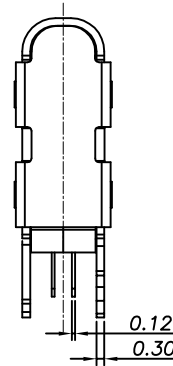
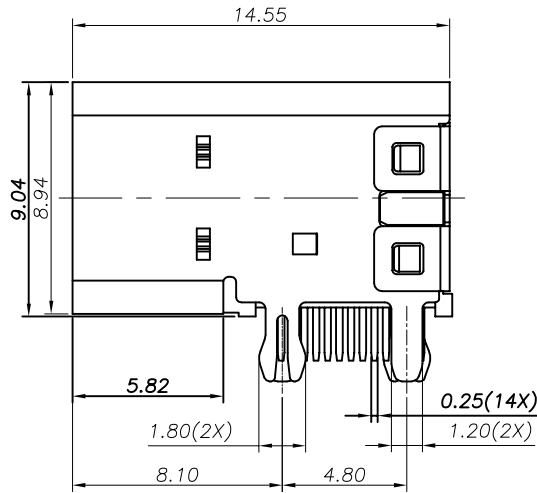
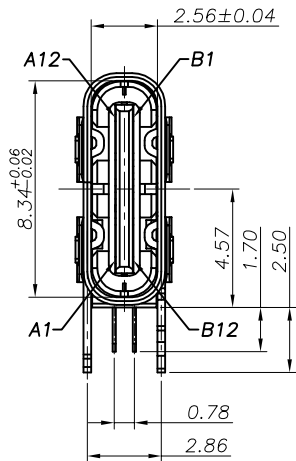
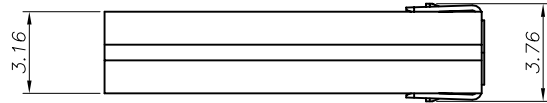


RoHS Compliant

THIS DRAWING CONTAINS INFORMATION THAT IS PROPRIETARY TO ZDT TECHNOLOGY. AND SHOULD NOT BE USED WITHOUT WRITTEN PERMISSION

REV	ECN No.	DATE	REMARK
A	NEW	2018.3.20	NEW RELEASE
B	ECN2103003	2021.03.30	LCP变更为PA9T
C	ECN2108003	2021.08.18	增加卷装+CAP规格



NOTE:

- Electrical Characteristics:
 - 1-1: Current Rating: 5A For Pin(A4,A9,B4,B9)
1.25A For Pin(B5)
0.25A For Others Pin
 - 1-2: VOLTAGE RATING:5.0V
 - 1-3: Insulation Resistance: 100MΩ Min.
 - 1-4: Contact Resistance:
VBUS & GND PINS AND OTHER PINS: 40mΩ/PIN MAX.
SHIELD:50mΩ/MAX.
SHIELD:LLCR MAX. CHANGE OF ALL PINS: 10mΩ.
 - 1-5: Dielectric Withstanding Voltage: 100V/AC 1Minute
- Mechanical Characteristics:
 - Insertion Force: 5~20N
 - Extraction Force: Initial: 8~20N
 - After durability: 6~20N
 - Durability :10000 Cycles
- Operating Temperature: -25°C TO +85°C
- PART NUMBER CODE:(产品料号)

Z-CF079S X B 12 X -A-01
(1)(2)(3)(4)

- HOUSING MATERIAL:
C:PA9T
- HOUSING COLOR:
B:BLACK
- CONTACTS PLATED:
12:接触镀金3u, 其它CF
- PACKING OPTIONS
T:TRAY
R:Reel+CAP

TYPE:

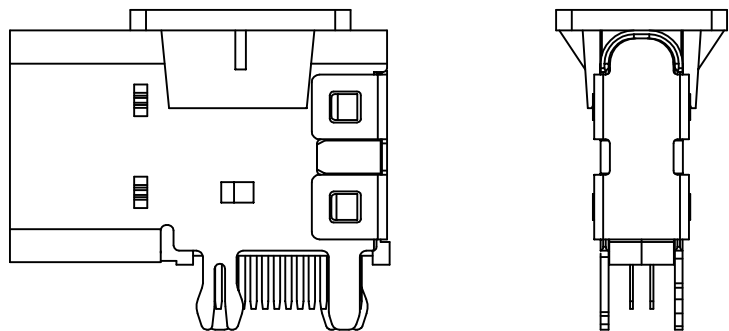
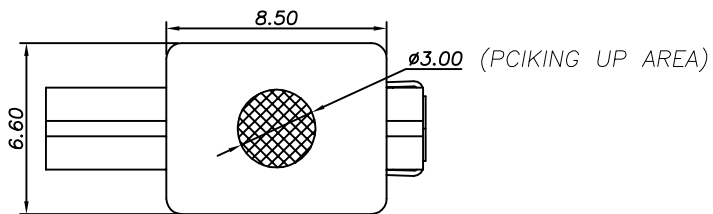
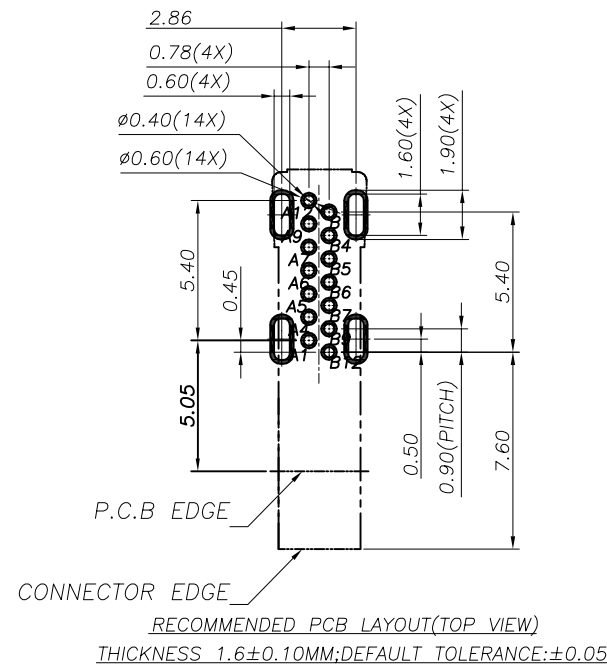
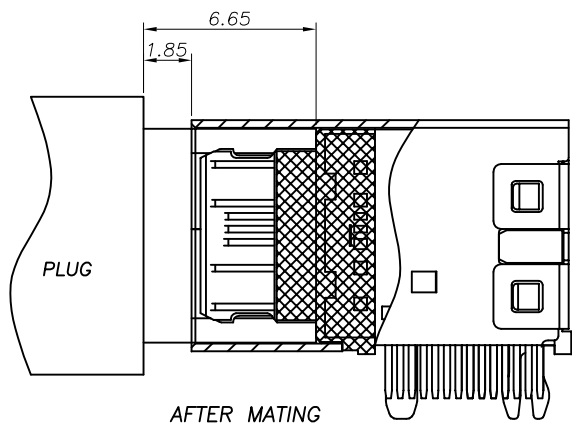
NO.	DESCRIPTION	MATERIAL	REMARKS	QTY
5	COVER	SUS304 1/2H T=0.20mm	NICKEL 30u" MIN PLATING	1PCS
4	SHELL	SUS304 1/2H T=0.30mm	NICKEL 30u" MIN PLATING	1PCS
3	SHIELDING PLATE	SUS301 3/4H T=0.15mm	---	1PCS
2	CONTACT	COPPER ALLOY T=0.12mm	NI 50u" MIN. UNDER PLATED OVER ALL. AU 3u" PLATED ON THE FUNCTIONAL AREA OF CONTACT. PLATING OF THE SOLDER AREA	2SET
1	HOUSING	PA9T UL94V-0	BLACK	1PCS

PART NO.: SEE THE PART NUMBER CODE		深圳市中科兴达科技有限公司 SHENZHEN ZDT TECHNOLOGY CO., LTD		DRAWN BY SAM	DATE 2021.08.18	
QUALITY SYMBOL 0	GENERAL TOLERANCES (UNLESS SPECIFIED)		TITLE USB C F 14PIN FLAG TYPE			
	x.xxxx	± ---	DWG.NO. CF079-01	SHEET NO. 1 OF 2	CHECKED BY JAY	DATE 2021.08.18
	x.xxx	± 0.10			APPROVED BY JACKY	DATE 2021.08.18
	x.xx	± 0.20	DIMENSION STYLE MM ONLY	DESIGN UNITS METRIC	SCALE 1:1	THIRD ANGLE PROJECTION
x.x	± 0.30	frame size: A4				

RoHS Compliant

THIS DRAWING CONTAINS INFORMATION THAT IS PROPRIETARY TO ZDT TECHNOLOGY, AND SHOULD NOT BE USED WITHOUT WRITTEN PERMISSION

REV	ECN No.	DATE	REMARK
A	NEW	2018.3.20	NEW RELEASE
B	ECN2103003	2021.03.30	LCP变更为PA9T
C	ECN2108003	2021.08.18	增加卷装+CAP规格



USB TYPE-C PIN ASSIGNMENTS

PIN NUMBER	SIGNAL NAME	PIN NUMBER	SIGNAL NAME
A1	GND	B12	GND
A4	VBUS	B9	VBUS
A5	CC1		
A6	Dp1	B7	Dn2
A7	Dn1	B6	Dp2
		B5	CC2
A9	VBUS	B4	VBUS
A12	GND	B1	GND

PART NO.:
SEE THE PART NUMBER CODE

ZDT 深圳市中科兴达科技有限公司
SHENZHEN ZDT TECHNOLOGY CO., LTD

DRAWN BY: SAM
DATE: 2021.08.18

QUALITY SYMBOL	0	GENERAL TOLERANCES (UNLESS SPECIFIED)
	x.xxxx	± ---
	x.xxx	± 0.10
	x.xx	± 0.20
	x.x	± 0.30
ANGULAR	± ---°	

TITLE: USB C F 14PIN FLAG TYPE		SHEET NO. 2 OF 2	
DWG.NO. CF079-01		SCALE 1:1	
DIMENSION STYLE: MM ONLY	DESIGN UNITS: METRIC		

CHECKED BY: JAY
DATE: 2021.08.18

APPROVED BY: JACKY
DATE: 2021.08.18

THIRD ANGLE PROJECTION

