

10  
RoHS Compliant

9 THIS DRAWING CONTAINS INFORMATION THAT IS PROPRIETARY TO ZDT TECHNOLOGY. AND SHOULD NOT BE USED WITHOUT WRITTEN PERMISSION

3	2	1
REV	ECN No.	DATE
A	NEW	2021.08.24
REMARK		NEW RELEASE

NOTE:

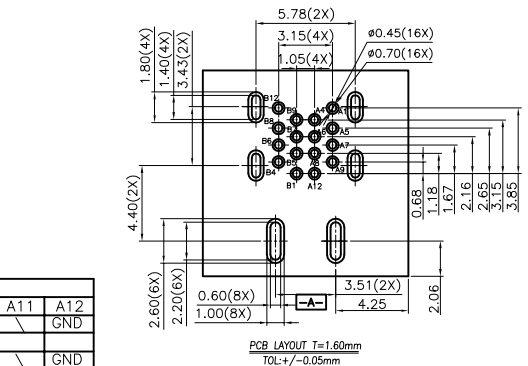
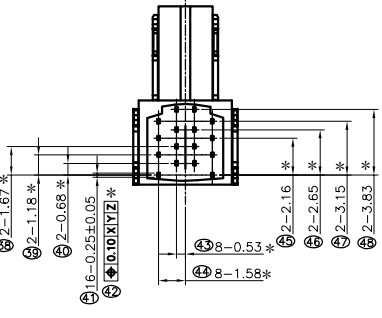
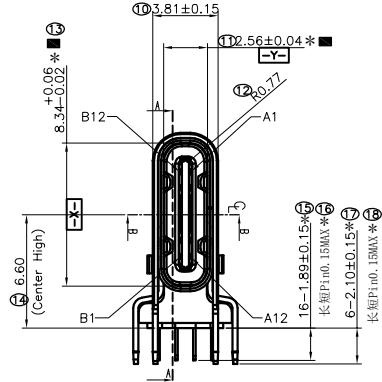
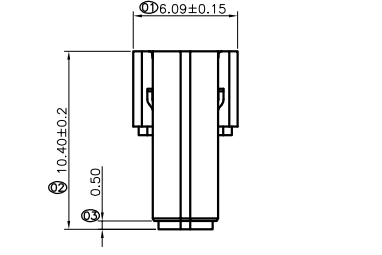
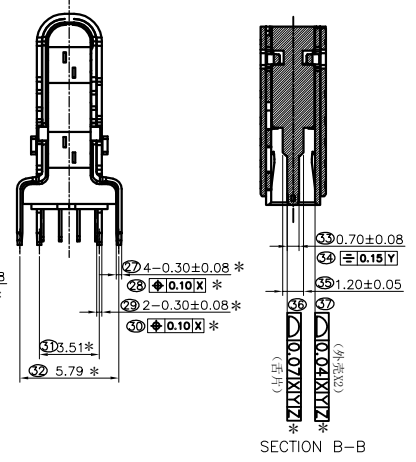
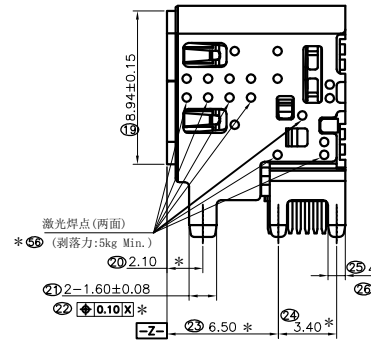
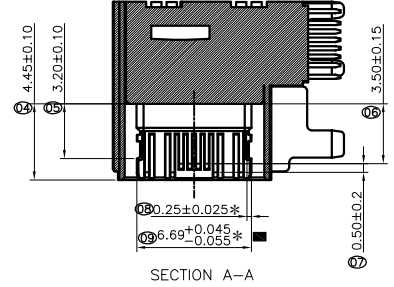
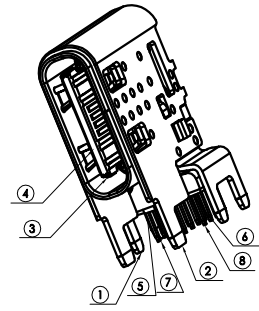
- Electrical Characteristics:
    - Current Rating: 5A For Pin(A4,A9,B4,B9)  
1.25A For Pin(B5)  
0.25A For Others Pin
    - VOLTAGE RATING:20V AC/DC.
    - Insulation Resistance: 100MΩ Min.
    - Contact Resistance:  
VBUS & GND PINS AND OTHER PINS: 40mΩ/PIN MAX.  
SHIELD:50mΩ/MAX.  
SHIELD:LLCR MAX. CHANGE OF ALL PINS: 10mΩ.
    - Dielectric Withstanding Voltage: 100V/AC 1Minute
  - Mechanical Characteristics:
    - Insertion Force: 5~20N
    - Extraction Force: Initial: 8~20N  
After durability: 6~20N
    - Durability :10000 Cycles
  - Operating Temperature: -30°C TO +85°C
  - 环境性能:
    - 盐水喷雾 72H Min
    - 产品需过IR炉, 温度260°C, 10分钟;
- 8." \* "为重点管制尺寸," ■"为CPK管制尺寸," ⊗"为FA管制尺寸.

9.PART NUMBER CODE:(产品料号)

CF289-16 X X XX X - 68  
(1) (2) (3) (4)

- HOUSING MATERIAL:  
N:PA46
- HOUSING COLOR:  
B:BLACK
- CONTACTS PLATED:  
25:镍底:80-200u", 接触区: 钯镍12u",镀金2u"Min,焊接区: 镀金2u"Min,
- PACKING OPTIONS  
T:TRAY  
R:TAPE & REEL

⑤	上排端子	12	GUB149F-1A1-VA2A	C7025-TM03,T=0.15	镍底:80-200u", 接触区: 钯镍12u",镀金2u"Min, 焊接区: 镀金2u"Min.
⑦	下排端子	12	GUB150F-1A1-VA2A		
⑥	上排Moding	1	HUT135L-1A1-XM2A-H		
⑤	下排Moding	1	HUT136L-1A1-XM2A-H	PA46 HFX33S UL94 V-0	黑色/白色
④	二次Moding	1	HUT137L-1A1-XM2A-H		
③	中夹片	1	GUB151U-1A1-VN72	SUS301R-H,T=0.20	整体镀镍40-200u", 盐雾72H
②	内壳	1	GUB152U-1A1-VN72	SUS304-1/2H,T=0.30	整体镀镍40-200u", 盐雾72H
①	外壳	1	GUB153U-1A1-VN72	SUS304-1/2H,T=0.30	整体镀镍40-200u", 盐雾72H
NO.	品名	数量	料号	材质	表面处理



PIN ASSIGNMENT											
A1	A2	A3	A4	A5	A6	A7	A8	A9	A10	A11	A12
GND			VBUS	CC1	Dp1	Dn1	SBU1	VBUS			GND
GND			VBUS	SBU2	Dn2	Dp2	CC2	VBUS			GND
B12	B11	B10	B9	B8	B7	B6	B5	B4	B3	B2	B1

PART NO.:  
SEE THE PART NUMBER CODE

**ZDT** 深圳市中科兴达科技有限公司  
SHENZHEN ZDT TECHNOLOGY CO., LTD

DRAWN BY: SAM  
DATE: 2021.08.24

QUALITY SYMBOL	GENERAL TOLERANCES (UNLESS SPECIFIED)	TITLE	
	X.XXXX	± ---	Type C 16Pin 45W 侧立式母座
	X.XXX	± 0.10	
	X.XX	± 0.20	
	X.X	± 0.30	
ANGULAR	± ---°		

DWG.NO.	CF289-16-68	SHEET NO.	1 OF 1
DIMENSION STYLE	MM ONLY	DESIGN UNITS	METRIC
SCALE	1:1	THIRD ANGLE PROJECTION	

CHECKED BY: JAY  
DATE: 2021.08.24

APPROVED BY: JACKY  
DATE: 2021.08.24