

**NOTE:**

1.MATERIAL SPECIFICATION:  
 1-1.HOUSING:HIGH TEMPERATURE RESISTANT PLASTIC,UL94 V-0.  
 1-2.TERMINAL: COPPER ALLOY  
 1-3.MID PLATE: STAINLESS STEEL(SUS301 T=0.15mm)  
 1-4.FRONT SHELL: STAINLESS STEEL(SUS304 T=0.3mm)

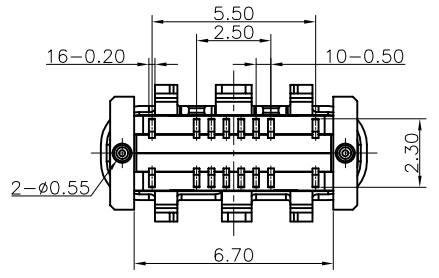
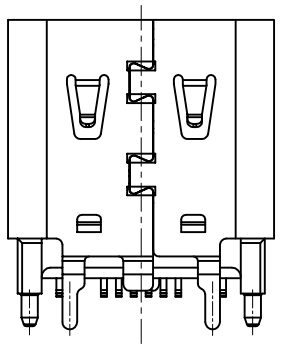
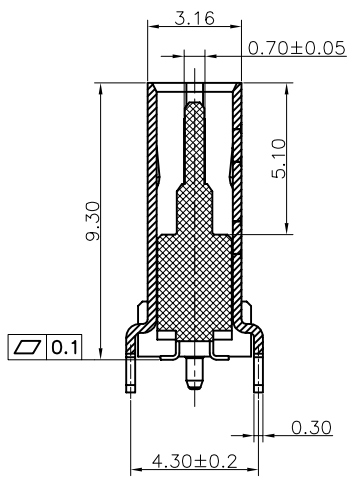
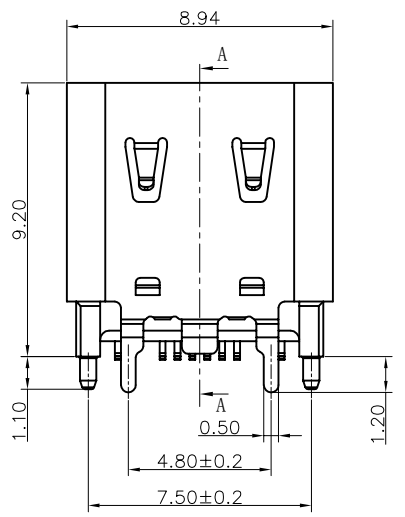
2.PLATING SPECIFICATION:  
 2-1.TERMINAL:  
 Ni 50u" MIN. UNDER PLATED OVER ALL.  
 Au PLATED ON THE FUNCTIONAL AREA OF CONTACT.  
 (GOLD PLATING THICKNESS FOLLOW THE P/N)  
 PLATING SPECIFICATIONS OF THE SOLDER AREA FOLLOW THE P/N  
 2-2.FRONT SHELL:  
 Ni 30u" MIN. UNDER PLATED OVER ALL.  
 2-3.MID PLATE  
 CLEAR ONLY  
 2-4.EMI PLATE:  
 CLEAR ONLY

3.MECHANICAL PERFORMANCE,  
 3-1.INSERTION FORCE: 0.5~2.0kgf.  
 3-2.REMOVAL FORCE: 0.8kgf~2.0kgf.  
 3-3.DURABILITY: 10000 CYCLES.

4.ELECTRICAL PERFORMANCE,  
 4-1. VOLTAGE RATING:5 V DC/AC (RMS. max)  
 CURRENT RATING:5 AMPS. FOR TOTAL VBUS/GND PINS;  
 1.25AMPS FOR CC PIN,0.25 AMPS. FOR ALL OTHER CONTACT.  
 4-2. LLCR:.  
 VBUS & GND PINS AND OTHER PINS: 40mΩ/PIN MAX.  
 SHIELD: 50mΩ/MAX.  
 LLCR MAX. CHANGE OF ALL PINS: 10mΩ.  
 4-3.INSULATION RESISTANCE: 100MΩ MIN  
 4-4.DIELECTRIC WITHSTAND VOLTAGE,AC 100V FOR 1 MINUTE.

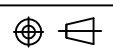
5. ENVIRONMENTAL PERFORMANCE:  
 OPERATING TEMPERATURE: -25°C~+85°C.

6.IR REFLOW:  
 THE PEAK TEMPERATURE ON THE BOARD SHALL BE MAINTAINED FOR 10 SECONDS AT 260°C.



7.PART NUMBER CODE:(产品料号)  
 CF 1 16 - 011 S X X XX R - 02  
 (1)(2) (3) (4) (5) (6)

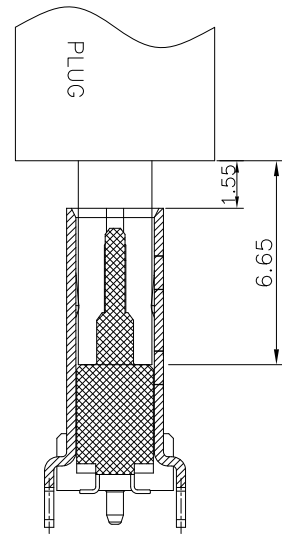
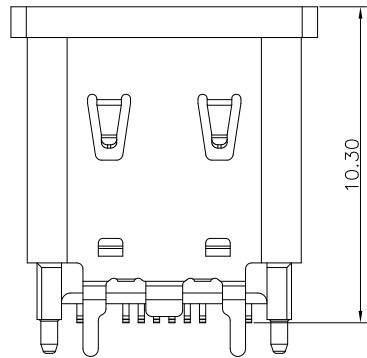
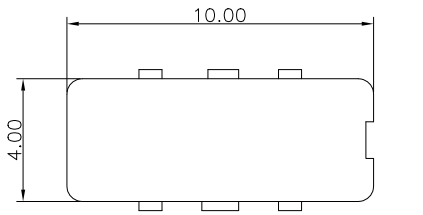
- (1) 产品形态: 1:180度直立式
- (2) Pin No.: 16:16PIN
- (3) HOUSING MATERIAL: L:LCP
- (4) HOUSING COLOR: B:BLACK
- (5) CONTACTS PLATED: 02:接触镀金3u"焊接区旁码  
12:接触镀金3u"其它GF
- (6) PACKING OPTIONS R:TAPE & REEL

<b>PART NO.:</b> SEE THE PART NUMBER CODE		<b>ZDT</b> 深圳市中科兴达科技有限公司 SHENZHEN ZDT TECHNOLOGY CO., LTD		<b>DRAWN BY</b> SAM	<b>DATE</b> 2022.02.14	
<b>QUALITY SYMBOL</b> 0 $\nabla$ 0	<b>GENERAL TOLERANCES (UNLESS SPECIFIED)</b>		<b>TITLE</b> TYPE C母座16P直立式SMT H=9.3			
	x.xxxx	± ---	<b>DWG.NO.</b> CF116-011-02	<b>SHEET NO.</b> 1 OF 2	<b>CHECKED BY</b> JAY	<b>DATE</b> 2022.02.14
	x.xxx	± 0.10			<b>APPROVED BY</b> JACKY	<b>DATE</b> 2022.02.14
	x.xx	± 0.20	<b>DIMENSION STYLE</b> MM ONLY	<b>DESIGN UNITS</b> METRIC	<b>SCALE</b> 1:1	
x.x	± 0.30	 <b>THIRD ANGLE PROJECTION</b>				
ANGULAR	± ---					frame size: A4

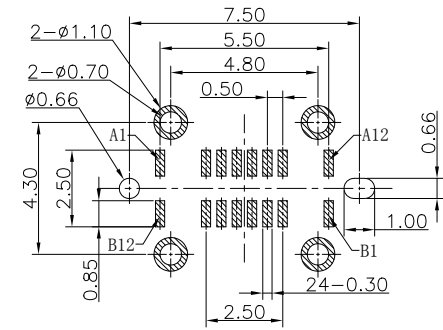
RoHS Compliant 

THIS DRAWING CONTAINS INFORMATION THAT IS PROPRIETARY TO ZDT TECHNOLOGY. AND SHOULD NOT BE USED WITHOUT WRITTEN PERMISSION

REV	ECN No.	DATE	REMARK
A	NEW	2015.05.10	NEW RELEASE



AFTER MATING



RECOMMEND P.C.B LAYOUT(COMPONENT SIDE)  
TOLERANCE FOR PCB LAYOUT IS ±0.05

USB TYPE C PIN ASSIGNMENTS

PIN NUMBER	SIGNAL NAME	PIN NUMBER	SIGNAL NAME
A1	GND	B12	GND
A4	VBUS	B9	VBUS
A5	CC1	B8	SBU2
A6	DP1	B7	DN2
A7	DN1	B6	DP2
A8	SBU1	B5	CC2
A9	VBUS	B4	VBUS
A12	GND	B1	GND

PART NO.:  
SEE THE PART NUMBER CODE

**ZDT** 深圳市中科兴达科技有限公司  
SHENZHEN ZDT TECHNOLOGY CO., LTD

DRAWN BY	DATE
SAM	2015.05.10
CHECKED BY	DATE
JAY	2015.05.10
APPROVED BY	DATE
JACKY	2015.05.10

QUALITY SYMBOL	0	GENERAL TOLERANCES (UNLESS SPECIFIED)	
	x.xxxxx	± ---	
	x.xxx	± 0.10	
	x.xx	± 0.20	
	x.x	± 0.30	
▲	0	ANGULAR	± --°

TITLE	
TYPE C母座16P直立式SMT H=9.3	
DWG.NO.	SHEET NO.
CF116-011-02	2 OF 2
DIMENSION STYLE	DESIGN UNITS
MM ONLY	METRIC
SCALE	
1:1	

 THIRD ANGLE PROJECTION