

RoHS Compliant

THIS DRAWING CONTAINS INFORMATION THAT IS PROPRIETARY TO ZDT TECHNOLOGY. AND SHOULD NOT BE USED WITHOUT WRITTEN PERMISSION

REV	ECN No.	DATE	REMARK
A	NEW	2023.02.10	NEW RELEASE
B	---	2023.06.10	CF08002变更新料号CF108-002

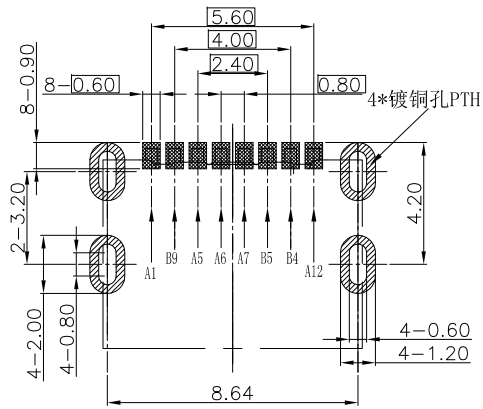
NOTE:

- Material:
All Housing: LCP(Polyplastics),Black,Thermoplastics,UL94V-0
Contact: C2680R-H
Mid Plate: SUS301-EH
Shell: SUS304-1/2H
- FINISH:
Contact: Au 3u" Min.on Contact Area
Au 1u" Min on Solder Area
Mid-Plate: Cleaning Over All
Shell: 80u" Min Nickel Over All
- Electrical Characteristics:
Current Rating: 3A For Pin(A12,A9,B12,B9)
1.25A For Pin(B5,A5)
0.25A For Others Pin
Insulation Resistance: 100MΩ Min.
Contact Resistance: 40 mΩ Max.
Dielectric Withstanding Voltage: 500V/AC/1 Minute/0.1mA
- Mechanical Characteristics:
Insertion Force: 6~20N
Extraction Force: Initial: 8~20N
Durability :10000 Cycles
Initial:6N to 20N;After10,000 insertion/extraction Cycles:6N to 20N
- Operating Temperature: -35°C TO +85°C
- DIMENSION MARK "⊗" IS FAI
- DIMENSION MARK "*" IS QIP
- DIMENSION MARK "■" IS CPK

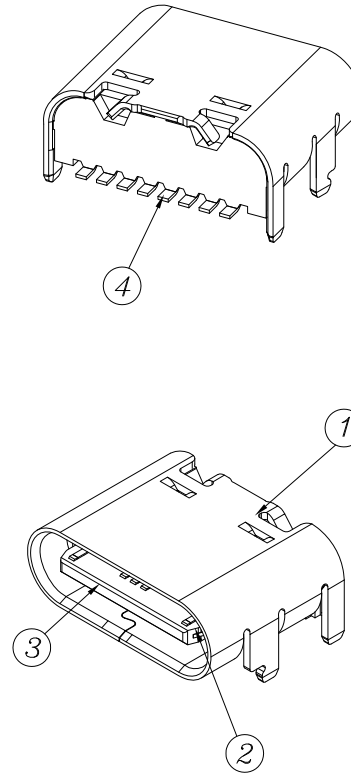
9.PART NUMBER CODE:

1	CF208-001SLB12R	LCP黑色接触镀金3u"其它GF	TAPE & REEL
序号	PART NO.	REMARKS	PACKING

4	Terminal	C2680R-H T=0.20	Au 3u" Min PLATING ON CONTACT AREA, Au 1u" Min PLATING ON SOLDER AREA, 50u" MIN NICKEL OVERALL.	1SET
3	Housing	LCP E130i UL 94V-0 , HF		1PCS
2	Mid-Plate	SUS301-EH	Note.2	1PCS
1	Shell	SUS304-1/2H	50u" Min Nickel Over All	1PCS
项次 NO.	品称 NAME	材料 MATERIAL	表面处理 PLATING	备注 MARK



RECOMMENDED P.C.B. LAYOUT
TOLERANCE UNSPECIFIED ±0.05mm



A1	GND		
A5	CC1		
A6	Dp1	B9	VBUS
A7	Dn1	B5	CC2
A12	GND	B4	VBUS
PIN	SIGNAL NAME	PIN	SIGNAL NAME

PART NO.:
SEE THE PART NUMBER CODE

深圳市中科兴达科技有限公司
SHENZHEN ZDT TECHNOLOGY CO., LTD

DRAWN BY: SAM
DATE: 2023.06.10

QUALITY SYMBOL	GENERAL TOLERANCES (UNLESS SPECIFIED)
0	x.xxxx ± ---
▽=	x.xxx ± 0.10
0	x.xx ± 0.25
0	x.x ± 0.30
▶	ANGULAR ± ---°

TITLE: USB Type-C 8PIN REC. CH1.63 L=6.5

CHECKED BY: JAY
DATE: 2023.06.10

DWG.NO.: CF208-001
SHEET NO.: 2 OF 2

APPROVED BY: JACKY
DATE: 2023.06.10

DIMENSION STYLE: MM ONLY
DESIGN UNITS: METRIC
SCALE: 1:1

THIRD ANGLE PROJECTION