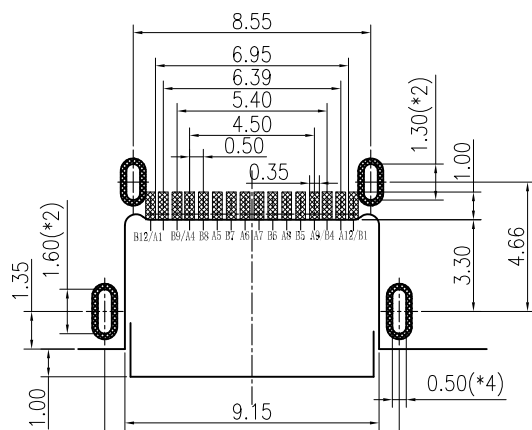
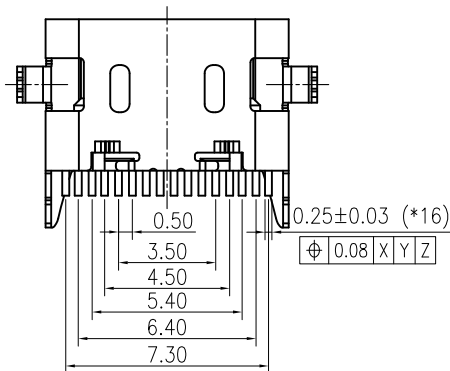
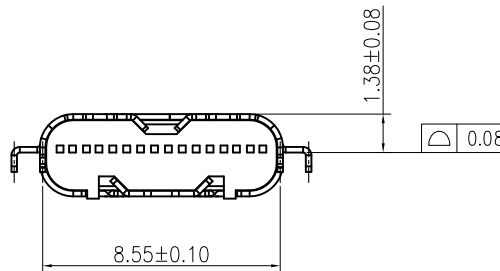
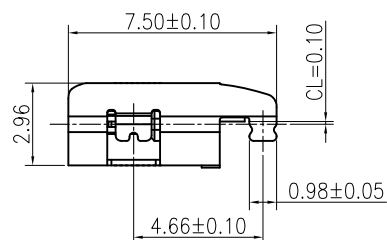
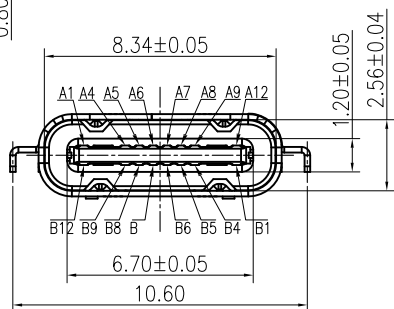
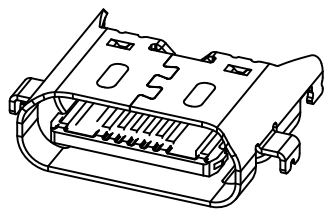
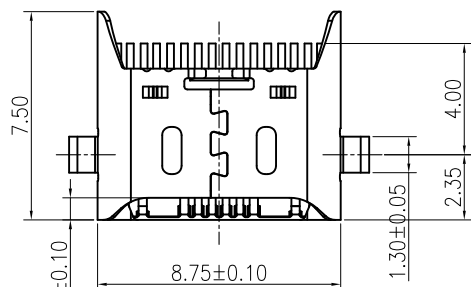


ROHS Compliant



THIS DRAWING CONTAINS INFORMATION THAT IS PROPRIETARY TO ZDT TECHNOLOGY, AND SHOULD NOT BE USED WITHOUT WRITTEN PERMISSION

REV	ECN No.	DATE	REMARK
A	NEW	2022.02.17	NEW RELEASE



RECOMMEND P.C.B LAYOUT(TOW VIEW)
TOLERANCE FOR PCB LAYOUT IS ±0.05

- 备注:
- 1.1 额定电流:
Pin A1 A12和B1 B12合计最大8A
Pin A4 A9和B4 B9合计8A最大
其它Pin 0.25A最大
 - 1.2 额定电压: 30V AC
 - 1.3 接触电阻:
初始值40m最大
耐久后50m最大
 - 1.4 耐电压: 100V AC 1分钟
 - 1.5 绝缘电阻: 100M最小, 1分钟
 - 1.6 机械性能:
插入力: 5N~20N
拔出力: 8N~20N;
试验后拔出力: 6N~20N
 - 1.7 耐久: 1万次
 - 1.8 操作温度: -40~85
 - 1.9 盐雾: 48H
 - 2.0 符合ROHS要求

USB TYPE-C PIN ASSIGNMENTS

PIN	Signal	Mating Sequence	PIN	Signal	Mating Sequence
A1	GND	First	B12	GND	First
A4	VBUS	First	B9	VBUS	First
A5	CC1	Second	B8	SBU2	Second
A6	Dp1	Second	B7	Dn2	Second
A7	Dn1	Second	B6	Dp2	Second
A8	SBU1	Second	B5	CC2	Second
A9	VBUS	First	B4	VBUS	First
A12	GND	First	B1	GND	First
SHELL	GND		SHELL	GND	

ITEM	PART NAME	Q'TY	MATERIAL	FINISH
5	CLIP	1PCS	SUS304 T=0.30mm	50u" MIN SOLDERABLE NICKEL
4	SHELL	1PCS	SUS304 T=0.30mm	50u" MIN SOLDERABLE NICKEL
3	CONTACT	1SET	C 7025 T=0.25mm	GOLD 3U" Min PLATED ON CONTACT AREA AND TIN 50u" Min ON SOLDER TAILS OVER 50u" Min NICKEL UNDERPLATING OVER RALL
2	MID-PLATE	1PCS	SUS301 T=0.20mm	NO PLATING
1	HOUSING	1PCS	PA9T	BLACK COLOR, UL94 V-0

PART NO.: CF316-009SCB12R-64		ZDT 深圳市中科兴达科技有限公司 SHENZHEN ZDT TECHNOLOGY CO.,LTD		DRAWN BY SAM	DATE 2022.02.17	
QUALITY SYMBOL = 0 ∇ = 0	GENERAL TOLERANCES (UNLESS SPECIFIED)		TITLE USB C TYPE 16P沉板CH0.10			
	x.xxxx	± ---	DWG.NO. CF316-009-64	SHEET NO. 1 OF 1	CHECKED BY JAY	DATE 2022.02.17
	x.xxx	± 0.10			APPROVED BY JACKY	DATE 2022.02.17
	x.xx	± 0.20	DIMENSION STYLE MM ONLY		DESIGN UNITS METRIC	SCALE 1:1
	x.x	± 0.30	THIRD ANGLE PROJECTION			
ANGULAR	± ---	frame size: A4				