

RoHS Compliant

THIS DRAWING CONTAINS INFORMATION THAT IS PROPRIETARY TO ZDT TECHNOLOGY. AND SHOULD NOT BE USED WITHOUT WRITTEN PERMISSION

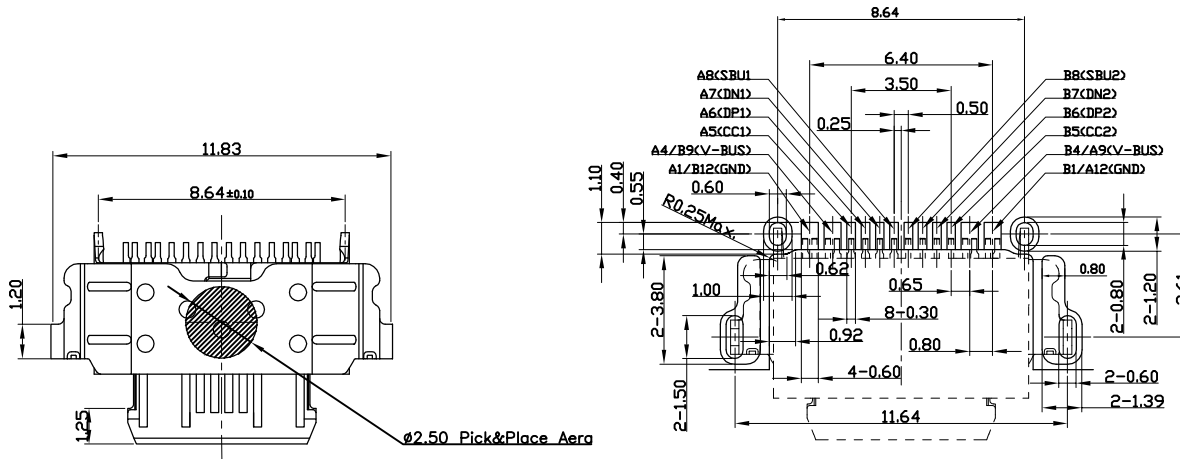
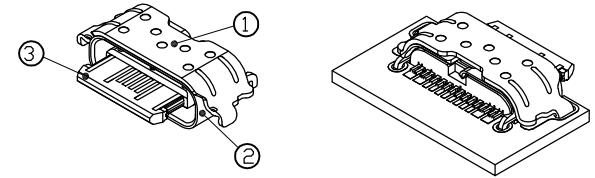
REV	ECN No.	DATE	REMARK
A	NEW	2019-9-17	NEW RELEASE

SPECIFICATION:
1.ELECTRICAL CHARACTERISTICS:
 1.1 CURRENT RATING: 1.5A/Pin MAX(A4,A9,B4,B9)
 1.25A/Pin MAX(A1,A12,B1,B12),0.25A(OHER PIN)
 1.2 TEMPERATURE RANGE: -40 °C ~ 85 °C
 1.3 CONTACT RESISTANCE: 30 MILLIONHM MAX.
 1.4 DIELECTRIC WITHSTANDING VOLTAGE: 100 VAC r.m.s
 1.5 INSULATION RESISTANCE: 100 MEGOHMS MIN.
2.MECHANICAL CHARACTERISTICS
 2.1 INSERTION FORCE: 5~20N
 2.2 EXTRACTION FORCE: Initial:8~20N,ATER TEST 6~20N
 2.3 DURABILITY:10,000CYCLES
3.ENVIRONMENTAL CHARACTERISTICS
 3.1 TEMPERATURE RANGE: -40 °C ~ 85 °C
 3.2 IR REFLOW:
 THE PEAK TEMPERATURE ON THE BOARD SHALL BE MAINTAINED FOR 10 SECONDS AT 260°C.

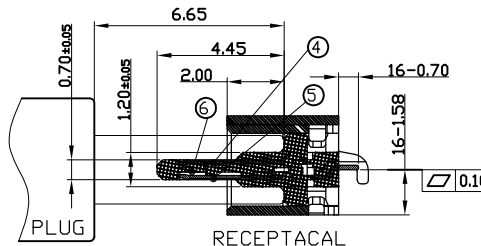
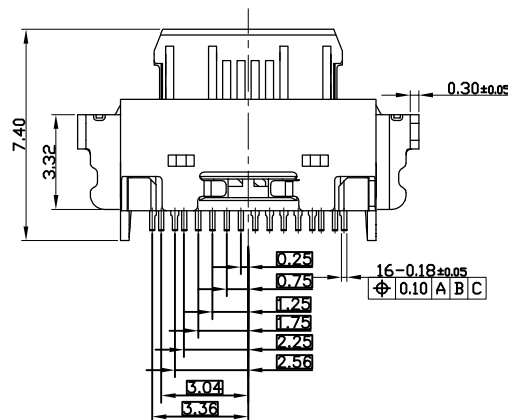
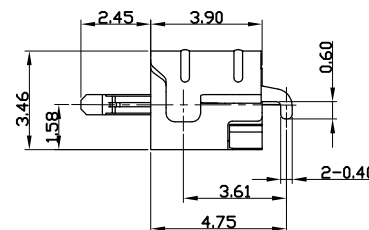
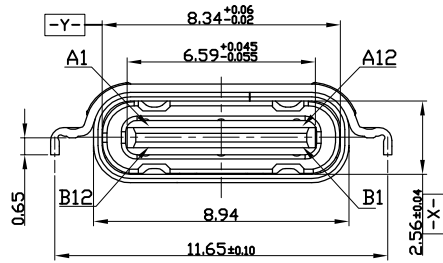
4.PART NUMBER CODE:(产品料号)

CF3 16 - 004 S X B XX R - F8
 (1) (2) (3) (4) (5)

- (1) Pin No.
16:16PIN
- (2) HOUSING MATERIAL:
NIPA46
- (3) HOUSING COLOR:
B:BLACK
- (4) CONTACTS PLATED:
12:接触镀金3u"其它GF
- (5) PACKING OPTIONS
R:TAPE & REEL



RECOMMENDED PCB LAYOUT(THICKNESS:0.80MM)
 PWB TOLERANCE: ±0.05



NO.	DESCRIPTION	QTY.	MATERIAL	FINISH
⑥	MID PLATE	1 PCS	STAINLESS STEEL	LN0 SURFACE TREATMENT
⑤	CONTACT B	1 SET	COPPER ALLOY	NI 50u" MIN. UNDER PLATED OVER ALL. Au PLATED ON THE FUNCTIONAL AREA OF CONTACT.
④	CONTACT A	1 SET	COPPER ALLOY	(GOLD PLATING THICKNESS FOLLOW THE P/N) PLATING SPECIFICATIONS OF THE SOLDER AREA FOLLOW THE P/N
③	HOUSING	3 PCS	NYLON 46	COLOR: BLACK
②	SHELL	1 PCS	STAINLESS STEEL	30u" MIN. UNDER PLATED OVER ALL.
①	COVER SHELL	1 PCS	STAINLESS STEEL	30u" MIN. UNDER PLATED OVER ALL.

PART NO.:
 SEE THE PART NUMBER CODE

ZDT 深圳市中科兴达科技有限公司
 SHENZHEN ZDT TECHNOLOGY CO., LTD

DRAWN BY: SAM DATE: 2019-9-17

QUALITY SYMBOL	GENERAL TOLERANCES (UNLESS SPECIFIED)
0	x.xxxx ± ---
0	x.xxx ± 0.10
0	x.xx ± 0.20
0	x.x ± 0.30
0	ANGULAR ± ---°

TITLE Type c母座16P沉板1.58晶片外露2.45		SHEET NO. 1 OF 1	
DWG.NO. CF316-004-F8		SCALE 1:1	
DIMENSION STYLE MM ONLY		DESIGN UNITS METRIC	

CHECKED BY: JAY DATE: 2019-9-17
 APPROVED BY: JACKY DATE: 2019-9-17
 THIRD ANGLE PROJECTION