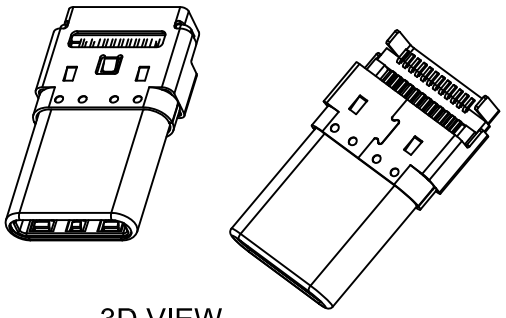
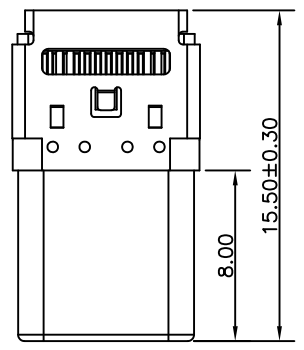


RoHS Compliant

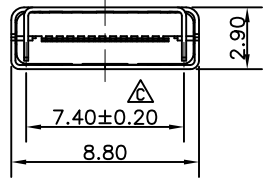
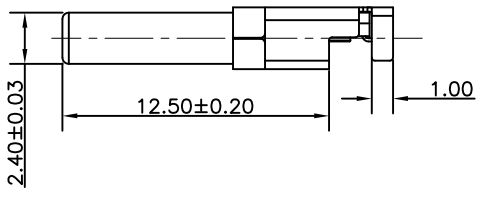
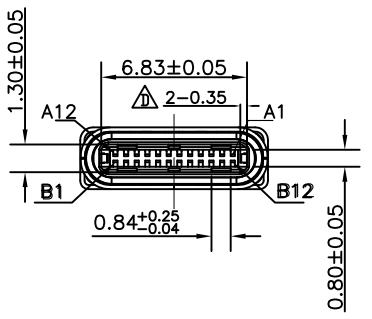
THIS DRAWING CONTAINS INFORMATION THAT IS PROPRIETARY TO ZDT TECHNOLOGY, AND SHOULD NOT BE USED WITHOUT WRITTEN PERMISSION

TYPE C协会TID No. 2154

REV	ECN No.	DATE	REMARK
A	NEW	2018.06.13	NEW RELEASE
B	ECN2003008	2020.03.19	增加MYLAR规格
C	ECN2006015	2020.06.16	修改铁壳脚7.4正负0.1公差改为正负0.2
D	ECN2009002	2020.09.02	依客人要求增加卡勾尺寸
E	ECN2011002	2020.11.10	增加真空包装料号规格
F	ECN2110001	2021.10.15	增加外壳电镀规格
G	ECR2203001	2022.03.04	优化产品结构满足自动化生产要求
H	--	2022.04.29	增加外壳汗液测试规格



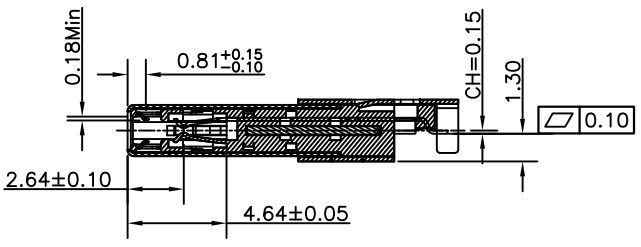
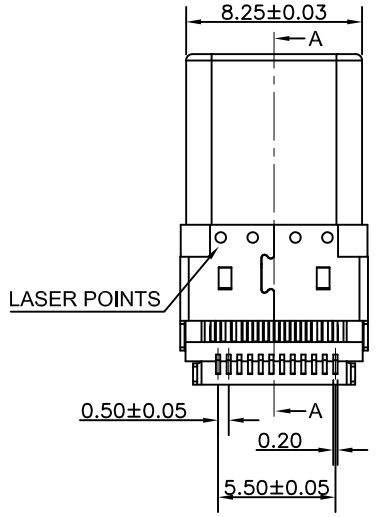
3D VIEW



NOTE:
 1. Electrical Characteristics:
 Current Rating: 5A For Pin(A4,A9,B4,B9)
 1.25A For Others Pin
 Insulation Resistance: 100MΩ Min.
 Contact Resistance: 40 mΩ Max.
 Dielectric Withstanding Voltage:100V/AC 1Minute
 2. Mechanical Characteristics:
 Insertion Force: 5~20N
 Extraction Force: Initial: 8~20N
 After durability: 6~20N
 Durability :10000 Cycles
 3. Salt Spray :24H/48H
 4. Operating Temperature: -30°C TO +85°C
 5. 符合ROHS & HF要求.

6. PART NUMBER CODE:
 CM073-24 X L B XX X C - X - 68
 (1) (2) (3) (4) (5) (6)

- △ (1) SHELL PLATED:
 无: 普通镍(常用料)
 J: 镀黑镍
 (2) HOUSING COLOR:
 B:BLACK
 (3) CONTACTS PLATED:
 02:半金锡3u"
 05:半金锡30u"
 (4) PACKING OPTIONS:
 R:TAPE & REEL
 VR:TAPE & REEL+真空包装(专用客户指定包装)
- (5) CONTACTS PLATED:
 无: 无塞子
 C: 带塞子(常用料)
 (6) CONTACTS PLATED:
 无:24H
 C:盐雾48H
 D:外壳汗液测试 △



SECTION: A-A

ITEM	NAME	QTY.	MATERIAL	DESCRIPTION
7	CAP	1	LCP UL94V-0	Color: Black
6	Shield	1	Stainless Steel SUS304	Nickel Plating
5	Housing	4	LCP UL94V-0	Color: Black
4	Latch	1	Stainless Steel SUS301	
3	Contact	24	Copper Alloy C7025	3u" gold plated on Contact area, Matte Tin plated on Solder tails, Nickel underplating over all
2	Emc Spring	2	Stainless Steel SUS304	
1	Shell	1	Stainless Steel SUS316L	Nickel Plating

PART NO.:
 SEE THE PART NUMBER CODE

深圳市中兴科达科技有限公司
 SHENZHEN ZDT TECHNOLOGY CO., LTD

DRAWN BY DATE
 SAM 2022.04.29

QUALITY SYMBOL	GENERAL TOLERANCES (UNLESS SPECIFIED)
0	x.xxxxx ± ---
0	x.xxx ± 0.10
0	x.xx ± 0.25
0	x.x ± 0.30
0	ANGULAR ± ---

TITLE
 U.S.B TYPE C PLUG SMT MIDDLE MOUNT RIGHT ANGLE L=15.5MM

DWG.NO. CM073-24-68 SHEET NO. 1 OF 1


DIMENSION STYLE: MM ONLY DESIGN UNITS: METRIC SCALE: 1:1

CHECKED BY DATE
 JAY 2022.04.29

APPROVED BY DATE
 JACKY 2022.04.29

THIRD ANGLE PROJECTION

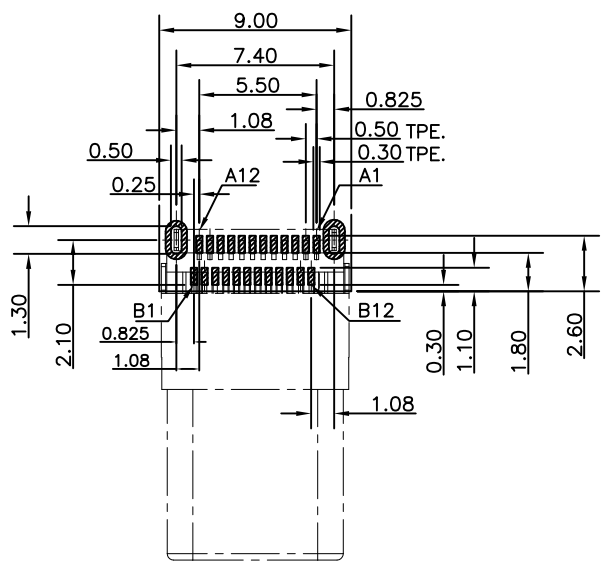
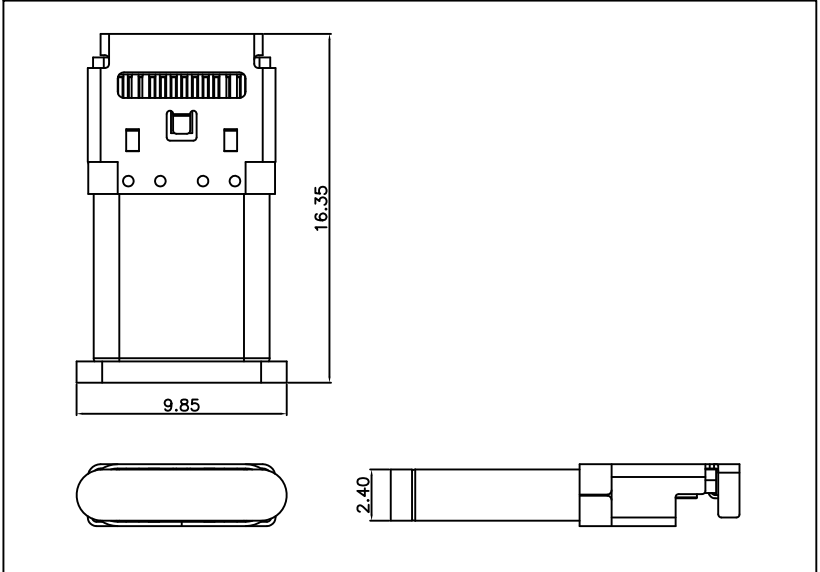
10 9 8 7 6 5 4 3 2 1

RoHS Compliant  THIS DRAWING CONTAINS INFORMATION THAT IS PROPRIETARY TO ZDT TECHNOLOGY, AND SHOULD NOT BE USED WITHOUT WRITTEN PERMISSION

TYPE C协会TID No. 2154

REV	ECN No.	DATE	REMARK
A	NEW	2018.06.13	NEW RELEASE
B	ECN2003008	2020.03.19	增加MYLAR规格
C	ECN2006015	2020.06.16	修改铁壳脚7.4正负0.1公差改为正负0.2
D	ECN2009002	2020.09.02	依客人要求增加卡勾尺寸
E	ECN2011002	2020.11.10	增加真空包装料号规格
F	ECN2110001	2021.10.15	增加外壳镀黑镍规格
G	ECR2203001	2022.03.04	优化产品结构满足自动化生产要求
H	--	2022.04.29	增加外壳汗液测试规格


带塞子尺寸示意图



RECOMMENDED P.C.B. LAYOUT
T=0.80 OR 1.00mm
TOLERANCE UNSPECIFIED ±0.05mm

USB TYPE-C PIN ASSIGNMENTS

PIN NUMBER	SIGNAL NAME	PIN NUMBER	SIGNAL NAME
A1	GND	B12	GND
A2	SSTXp1	B11	SSRXp1
A3	SSTXn1	B10	SSRXn1
A4	Vbus	B9	Vbus
A5	CC1	B8	SBU2
A6	Dp1	B7	Dn2
A7	Dn1	B6	Dp2
A8	SBU1	B5	CC2
A9	Vbus	B4	Vbus
A10	SSRXn2	B3	SSTXn2
A11	SSRXp2	B2	SSTXp2
A12	GND	B1	GND

PART NO.: SEE THE PART NUMBER CODE		 深圳市中科兴达科技有限公司 SHENZHEN ZDT TECHNOLOGY CO., LTD		DRAWN BY SAM	DATE 2022.04.29
GENERAL TOLERANCES (UNLESS SPECIFIED)		TITLE U.S.B TYPE C PLUG SMT MIDDLE MOUNT RIGHT ANGLE L=15.5MM		CHECKED BY JAY	DATE 2022.04.29
QUALITY SYMBOL	0	DWG.NO. CM073-24-68		APPROVED BY JACKY	DATE 2022.04.29
0	0	SHEET NO. 2 OF 2		THIRD ANGLE PROJECTION	
0	0	SCALE 1:1		frame size: A4	
0	0	DIMENSION STYLE MM ONLY		DESIGN UNITS METRIC	
0	0	ANGULAR			