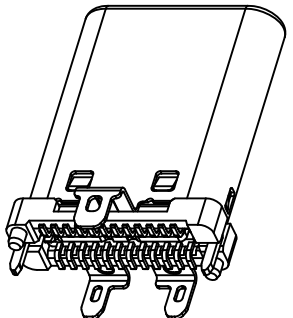
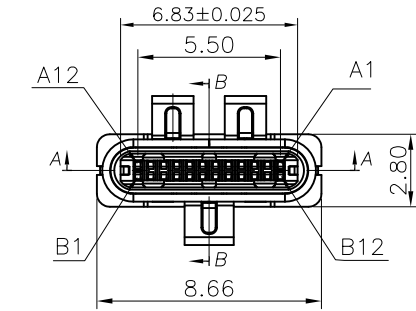


RoHS Compliant

THIS DRAWING CONTAINS INFORMATION THAT IS PROPRIETARY TO ZDT TECHNOLOGY. AND SHOULD NOT BE USED WITHOUT WRITTEN PERMISSION

TYPE C协会认证TID NO. 2753

REV	ECN No.	DATE	REMARK
A	NEW	2022.07.11	NEW RELEASE
B	ECN202303004	2023.03.13	盖子过炉后松脱,干涉由0.2改为0.4
C	ECR230916-004	2023.09.16	修正图纸规格描述



NOTE:  
 1.ELECTRICAL PERFORMANCE,  
 1-1. CURRENT RATING:3A  
 1-2. VOLTAGE RATING:5V/20V DC/AC (RMS. MAX)  
 1-3. LLCR:..  
 VBUS & GND PINS AND OTHER PINS: 40MΩ/PIN MAX.  
 SHIELD:50MΩ/MAX.  
 LLCR MAX. CHANGE OF ALL PINS: 10MΩ.  
 1-4.INSULATION RESISTANCE: 100MΩ MIN  
 1-5.DIELECTRIC WITHSTAND VOLTAGE,AC 100V FOR 1 MINUTE.  
 2.MECHANICAL PERFORMANCE,  
 2-1.INSERTION FORCE: 5~20N.  
 2-2.EXTRACTION FORCE: 8~20N.  
 2-3.DURABILITY: 10000 CYCLES.  
 3.ENVIRONMENTAL PERFORMANCE:  
 OPERATING TEMPERATURE: -25°C~+85°C.  
 4.IR REFLOW:  
 THE PEAK TEMPERATURE ON THE BOARD SHALL BE MAINTAINED FOR 10 SECONDS AT 260°C.  
 5.COMPLIANCE WITH ROHS REQUIREMENTS.  
 6.SALT SPRAY:24H  
 7. Meet ROHS & HF requirements  
 8.PART NUMBER CODE:  
 Z-CM026 S L B XX X - A - 02  
 (1)(2)(3)  
 (1) HOUSING COLOR:  
 B:BLACK  
 (2) CONTACTS PLATED:  
 02:接触区镀金3u", 焊接区镀锡80u"MIN  
 (3) PACKING OPTIONS:  
 R:TAPE & REEL  
 VR:TAPE & REEL+Vacuum packaging (专用客户指定包装)

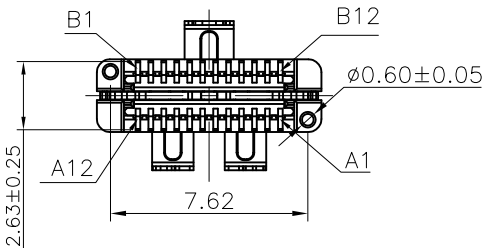
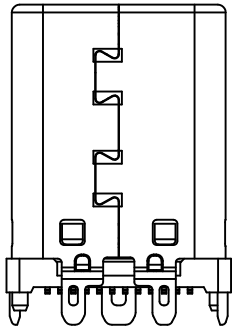
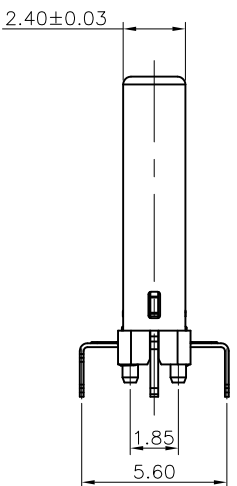
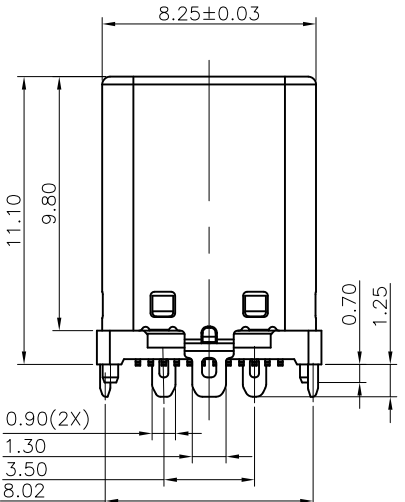


TABLE:

NO	PART	Q'TY	Material
1	SHELL	1	STAINLESS STEEL SUS304 T=0.15MM, Ni 30u" MIN. UNDER PLATED OVER ALL.
2	EMI	2	STAINLESS STEEL SUS301T=0.10MM,CLEAR ONLY
3	LATCH	1	STAINLESS STEEL SUS301 T=0.30MM,Ni 50u" MIN. UNDER PLATED OVER ALL. 80u" MIN. TIN PLATED ON SOLDER AREA.
4	CONTACT	24	COPPER STEEL C7025,Au(PART NUMBER CODE) plated on contact area Matte Tin plated 80u"min on solder area; Nickel 50u"min underplating over all.
5	HOUSING	1	LCP BLACK UL94 V-0
6	CAP	1	LCP BLACK UL94 V-0

PART NO.: SEE THE PART NUMBER CODE

**ZDT** 深圳市中科兴达科技有限公司  
SHENZHEN ZDT TECHNOLOGY CO., LTD

DRAWN BY: SAM  
 CHECKED BY: JAY  
 APPROVED BY: JACKY

QUALITY SYMBOL: GENERAL TOLERANCES:  
 x.xxxxx ± ---  
 x.xxx ± 0.10  
 x.xx ± 0.25  
 x.x ± 0.30  
 ANGULAR ± ---°

TITLE: USB TYPE-C 24P MALE Vertical H=11.1

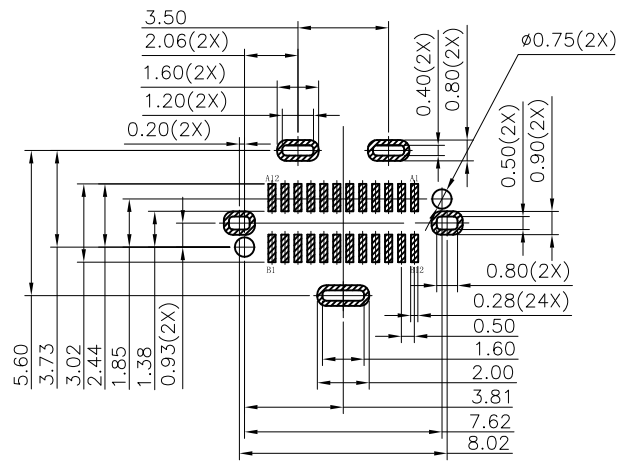
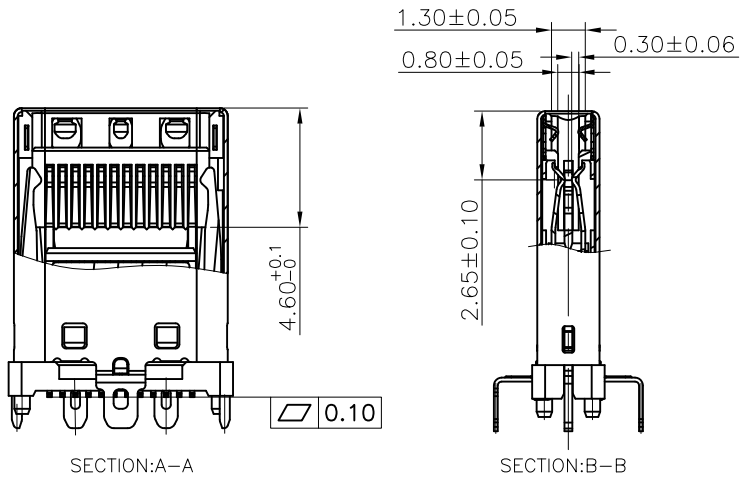
THIRD ANGLE PROJECTION  
 UNIT: mm  
 SCALE: 1:1  
 SHEET NO.: 1 OF 2  
 DWG.NO.: CM026-02

RoHS Compliant 

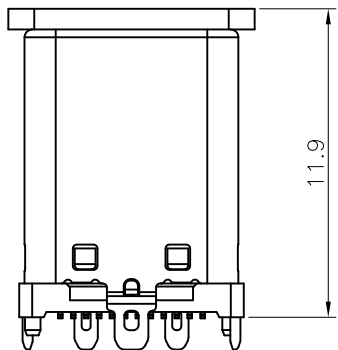
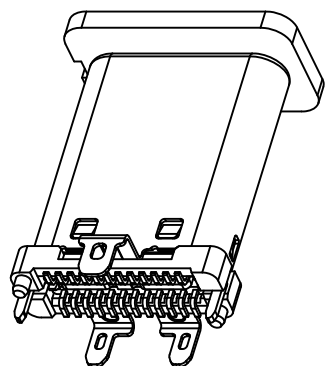
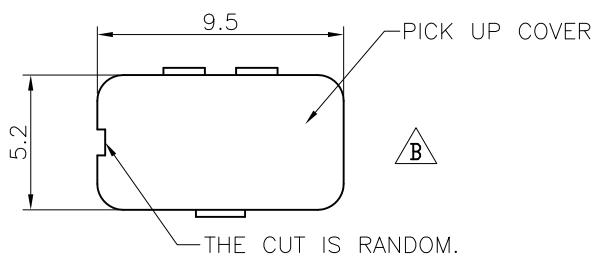
THIS DRAWING CONTAINS INFORMATION THAT IS PROPRIETARY TO ZDT TECHNOLOGY. AND SHOULD NOT BE USED WITHOUT WRITTEN PERMISSION

TYPE C协会认证TID NO. 2753

REV	ECN No.	DATE	REMARK
A	NEW	2022.07.11	NEW RELEASE
B	ECN202303004	2023.03.13	盖子过炉后松脱, 干涉由0.2改为0.4
C	ECR230916-004	2023.09.16	修正图纸规格描述



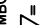




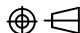


RECOMMENDED PCB LAYOUT(TOP VIEW)  
THICKNESS 0.8±0.10MM;DEFAULT TOLERANCE:±0.05



USB TYPE-C PIN ASSIGNMENTS

PIN NUMBER	SIGNAL NAME	PIN NUMBER	SIGNAL NAME
A1	GND	B12	GND
A2	SSTXp1	B11	SSRXp1
A3	SSTXn1	B10	SSRXn1
A4	Vbus	B9	Vbus
A5	CC1	B8	SBU2
A6	Dp1	B7	Dn2
A7	Dn1	B6	Dp2
A8	SBU1	B5	CC2
A9	Vbus	B4	Vbus
A10	SSRXn2	B3	SSTXn2
A11	SSRXp2	B2	SSTXp2
A12	GND	B1	GND

PART NO.: SEE THE PART NUMBER CODE		 深圳市中兴兴达科技有限公司 SHENZHEN ZDT TECHNOLOGY CO., LTD		DRAWN BY: SAM	
QUALITY SYMBOL		GENERAL TOLERANCES		CHECKED BY: JAY	
		x.xxxxx	± ---	APPROVED BY: JACKY	
		x.xxx	± 0.10	DWG.NO. CM026-02	
		x.xx	± 0.25	frame size: A4	
		x.x	± 0.30		
	ANGULAR	± ---			
		TITLE USB TYPE-C 24P MALE Vertical H=11.1			
				UNIT mm	SCALE 1:1
				SHEET NO. 2 OF 2	