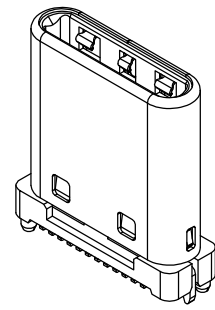
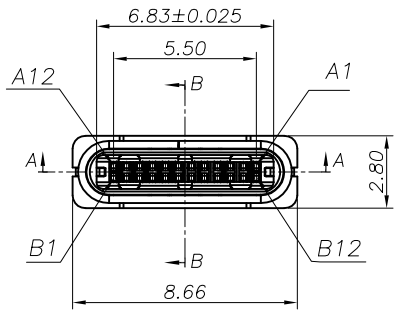


RoHS Compliant 

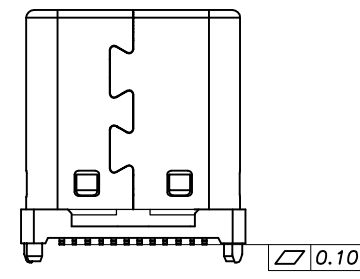
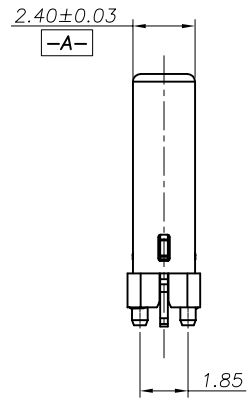
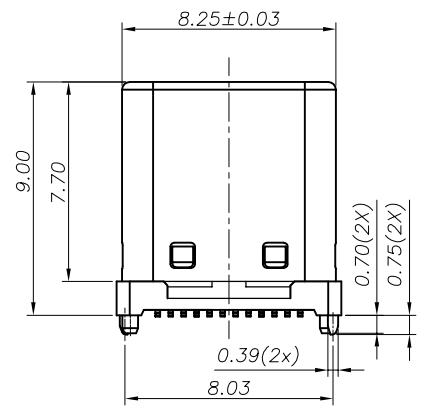
THIS DRAWING CONTAINS INFORMATION THAT IS PROPRIETARY TO ZDT TECHNOLOGY, AND SHOULD NOT BE USED WITHOUT WRITTEN PERMISSION

REV	ECN No.	DATE	REMARK
A	NEW	2015.05.10	NEW RELEASE
B	ECN2110002	2021.10.16	修正PCB LAYOUT



NOTE:

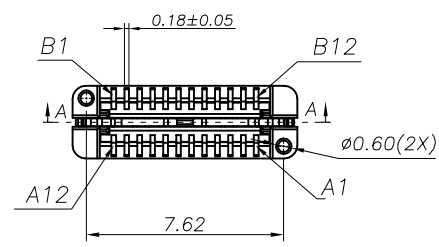
- Electrical Characteristics:
 - 1-1: Current Rating: 3A
 - 1-2: VOLTAGE RATING:5.0V
 - 1-3: Insulation Resistance: 100MΩ Min.
 - 1-4: Contact Resistance:
 - VBUS & GND PINS AND OTHER PINS: 40mΩ/PIN MAX.
 - SHIELD:50mΩ/MAX.
 - SHIELD:LLCR MAX. CHANGE OF ALL PINS: 10mΩ.
 - 1-5: Dielectric Withstanding Voltage: 100V/AC 1Minute
- Mechanical Characteristics:
 - Insertion Force: 5~20N
 - Extraction Force: Initial: 8~20N
 - After durability: 6~20N
 - Durability :10000 Cycles
- Operating Temperature: -25°C TO +85°C



6.PART NUMBER CODE:(产品料号)

CM175-24 L B XX R-01
(1)(2)(3)(4)

- (1) HOUSING MATERIAL:
L:LCP
- (2) HOUSING COLOR:
B:BLACK
- (3) CONTACTS PLATED:
02:半金锡3u"
- (4) PACKING OPTIONS
R:TAPE & REEL



TYPE:

NO.	DESCRIPTION	MATERIAL	REMARKS	QTY
5	SHELL	SUS304 1/2H T=0.30mm	NICKEL 30u" MIN PLATING	1PCS
4	SPRING	SUS304 1/2H T=0.10mm	CLEAR ONLY	2SET
3	LATCH	SUS301 3/4H T=0.40mm	Ni 50u" MIN. UNDER PLATED OVER ALL. 80u" MIN. TIN PLATED ON SOLDER AREA.	1PCS
2	CONTACT	C7025-H T=0.15mm	Ni 50u" MIN. UNDER PLATED OVER ALL. Au 3u" PLATED ON THE FUNCTIONAL AREA OF CONTACT. PLATING 1u" OF THE SOLDER AREA	2SET
1	HOUSING	LCP UL94V-0	BLACK	1PCS

PART NO.:
SEE THE PART NUMBER CODE

ZDT 深圳市中科兴达科技有限公司
SHENZHEN ZDT TECHNOLOGY CO., LTD

DRAWN BY: SAM DATE: 2021.10.16

CHECKED BY: JAY DATE: 2021.10.16

APPROVED BY: JACKY DATE: 2021.10.16

QUALITY SYMBOL	GENERAL TOLERANCES (UNLESS SPECIFIED)
0	± ---
0	± 0.10
0	± 0.20
0	± 0.25
0	± ---*
0	ANGULAR

TITLE	USB CM VERTICAL TYPE HIGHT=9.0(冲压壳无外壳脚)	
DWG.NO.	CM175-24-01	SHEET NO. 1 OF 2
DIMENSION STYLE	MM ONLY	DESIGN UNITS METRIC
SCALE	1:1	

THIRD ANGLE PROJECTION

