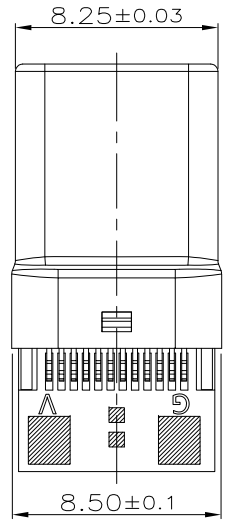
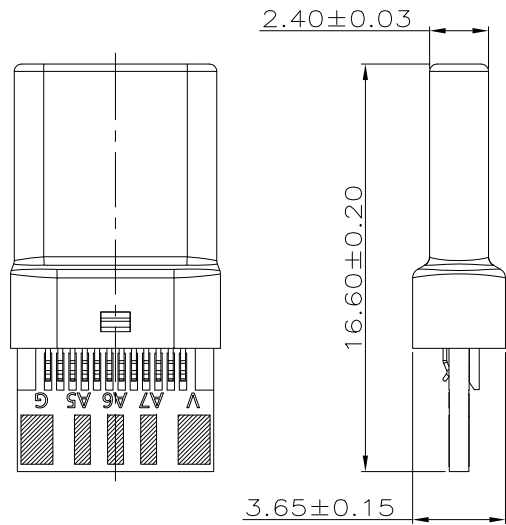
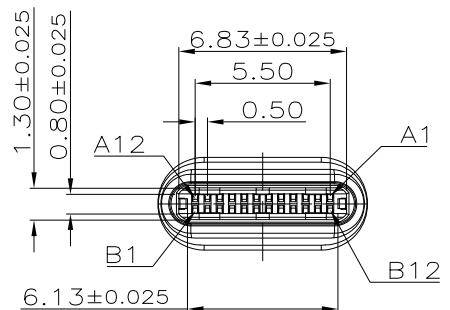


REV	ECN No.	DATE	REMARK
A	NEW	2022.07.07	NEW RELEASE

TYPE C协会TID NO. 7685



- 备注:
- 电性参数
    - 电流: 3.0A Max,
    - 接触电阻: 最初40mΩ Max, 寿命测试后变化±10
    - 绝缘阻抗: 100MΩ Min
    - 耐压: 100V AC
  - 机械参数
    - 插入力: 5-20N MAX.
    - 拔出力: 8-20N MIN.
    - 耐久性: 10000 Cycles 500 cycles per hour
  - 沾锡性: 温度250±5°, 时间5±0.5s
  - PCB双层板
  - PCB板规格: 2.0 CtoC, 电容10NF
  - SALT SPRAY:24H
  - 符合ROHS要求
  - PART NUMBER CODE:

No.	PART NO.	REMARKS	PACKING
1	CM088-24LB02U-05-02	2.0 CtoC电容10NF LCP黑色半金镀3u"	胶管

PLUG端	PCB焊盘
A1, A12, B1, B12, Shell	GND x2
A4, A9, B4, B9	VBUS x2
A5	CC
A6	Dp1
A7	Dn1

TYPE:

No.	NAME	Q'TY	MATERIAL	FINISH
8	PCB	1PCS	PCB线路板 蓝油 T=0.8mm+电阻	---
7	Latch	1PCS	SUS 301 HV310-370;T=0.4	---
6	TERMINAL	24PCS	C7025 HV190-210;T=0.15	---
5	EMI PLATE	2PCS	SUS 304 HV310-370;T=0.10	---
4	FRONT SHELL	1PCS	SUS 316 HV310-370;T=0.15	---
3	HOUSING	1PCS	LCP+30%G.F BLACK UL94-V0	---
2	TERMINAL-Molding	2PCS	LCP+30%G.F BLACK UL94-V0	---

PART NO.: SEE THE PART NUMBER CODE		<b>ZDT</b> 深圳市中科兴达科技有限公司 SHENZHEN ZDT TECHNOLOGY CO., LTD		DRAWN BY SAM	DATE 2022.07.07
QUALITY SYMBOL		TITLE Type C M焊板2.0 C TO C		CHECKED BY JAY	DATE 2022.07.07
GENERAL TOLERANCES (UNLESS SPECIFIED)		DWG.NO. CM088-24-02		APPROVED BY JACKY	
x.xxxxx ± ---		SHEET NO. 1 OF 1		DATE 2022.07.07	
x.xxx ± 0.10		DIMENSION STYLE MM ONLY		SCALE 1:1	
x.xx ± 0.25		DESIGN UNITS METRIC		THIRD ANGLE PROJECTION	
x.x ± 0.30					
ANGULAR ± ---°					