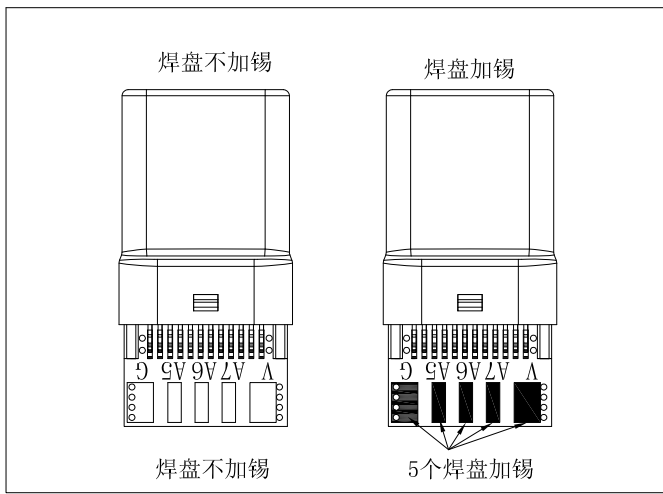
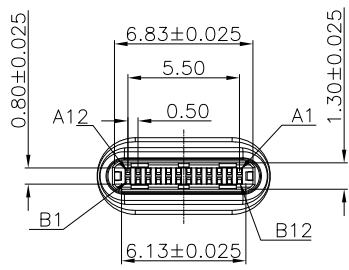


TYPE C协会TID NO. 7685

REV	ECN No.	DATE	REMARK
A	NEW	2022.04.25	NEW RELEASE
B	---	2023.01.11	增加焊盘加锡规格

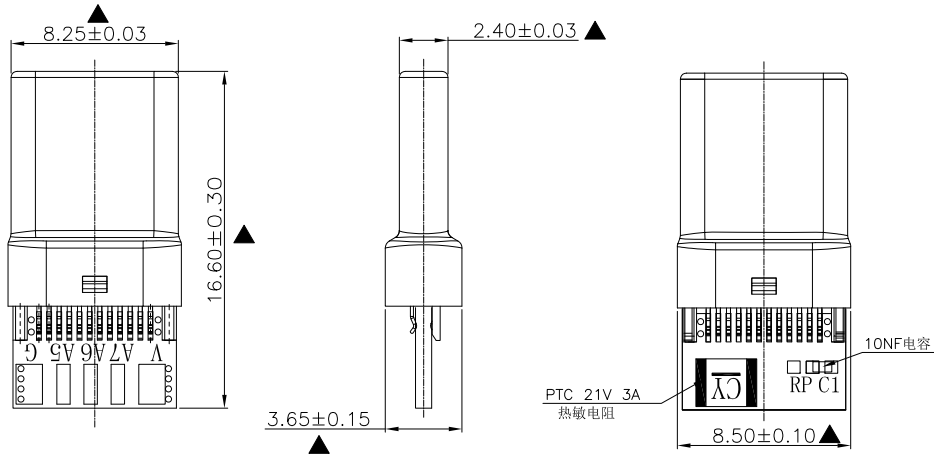


备注:

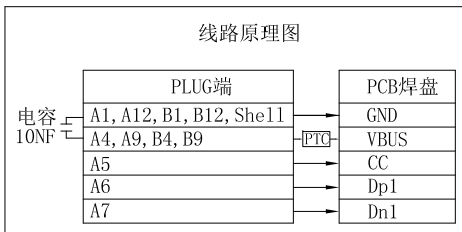
- 电性参数
 电流: 3.0A Max.,
 接触电阻: 最初40mΩ Max,
 寿命测试后变化±10
 绝缘阻抗: 100MΩ Min
 耐压: 100V AC
- 机械参数
 插入力: 5-20N MAX.
 拔出力: 8-20N MIN.
 耐久性: 10000 Cycles 500 cycles per hour
- 沾锡性: 温度250±5°, 时间5±0.5s
- PCB双层板
- 符合ROHS要求.
- 注: 带“▲”号的为重点管控尺寸

8.PART NUMBER CODE:

NO.	PART NO.	REMARKS	PACKING
2	CM161-24LB02U-25T-97-02	2.0 C-C,无电阻+10NF电容,带热敏电阻 21V,3A焊盘加锡塑胶LCP黑色半金插3u"	胶管包装
1	CM161-24LB02U-25-97-02	2.0 C-C,无电阻+10NF电容,带热敏电阻 21V,3A焊盘不加锡塑胶LCP黑色半金插3u"	胶管包装



No.	NAME	Q'TY	MATERIAL	FINISH
9	电容	1PCS	10NF电容	---
8	PTC	1PCS	带CY字样21V 3A PTC	---
7	PCB	1PCS	PCB线路板 蓝油 T=0.8mm	---
6	Latch	1PCS	SUS 301 HV310-370;T=0.4	---
5	TERMINAL	24PCS	C7025 HV190-210;T=0.15	---
4	EMI PLATE	2PCS	SUS 304 HV310-370;T=0.10	---
3	FRONT SHELL	1PCS	SUS 316 HV310-370;T=0.15	---
2	EMI-Molding	2PCS	LCP+30%G.F BLACK UL94-V0	---
1	TERMINAL-Molding	2PCS	LCP+30%G.F BLACK UL94-V0	---



PART NO.: SEE THE PART NUMBER CODE

ZDT 深圳市中科兴达科技有限公司
SHENZHEN ZDT TECHNOLOGY CO., LTD

QUALITY SYMBOL

GENERAL TOLERANCES (UNLESS SPECIFIED)	
x.xxxxx	± ---
x.xxx	± 0.10
x.xx	± 0.20
x.x	± 0.30
ANGULAR	± ---°

TITLE Type CM 2.0 C TO C(带热敏电阻21V 3A)

DWG.No. CM161-24-02 SHEET No. 1 OF 1

DIMENSION STYLE MM ONLY DESIGN UNITS METRIC SCALE 1:1

DRAWN BY	DATE
SAM	2023.01.11
CHECKED BY	DATE
JAY	2023.01.11
APPROVED BY	DATE
JACKY	2023.01.11

THIRD ANGLE PROJECTION